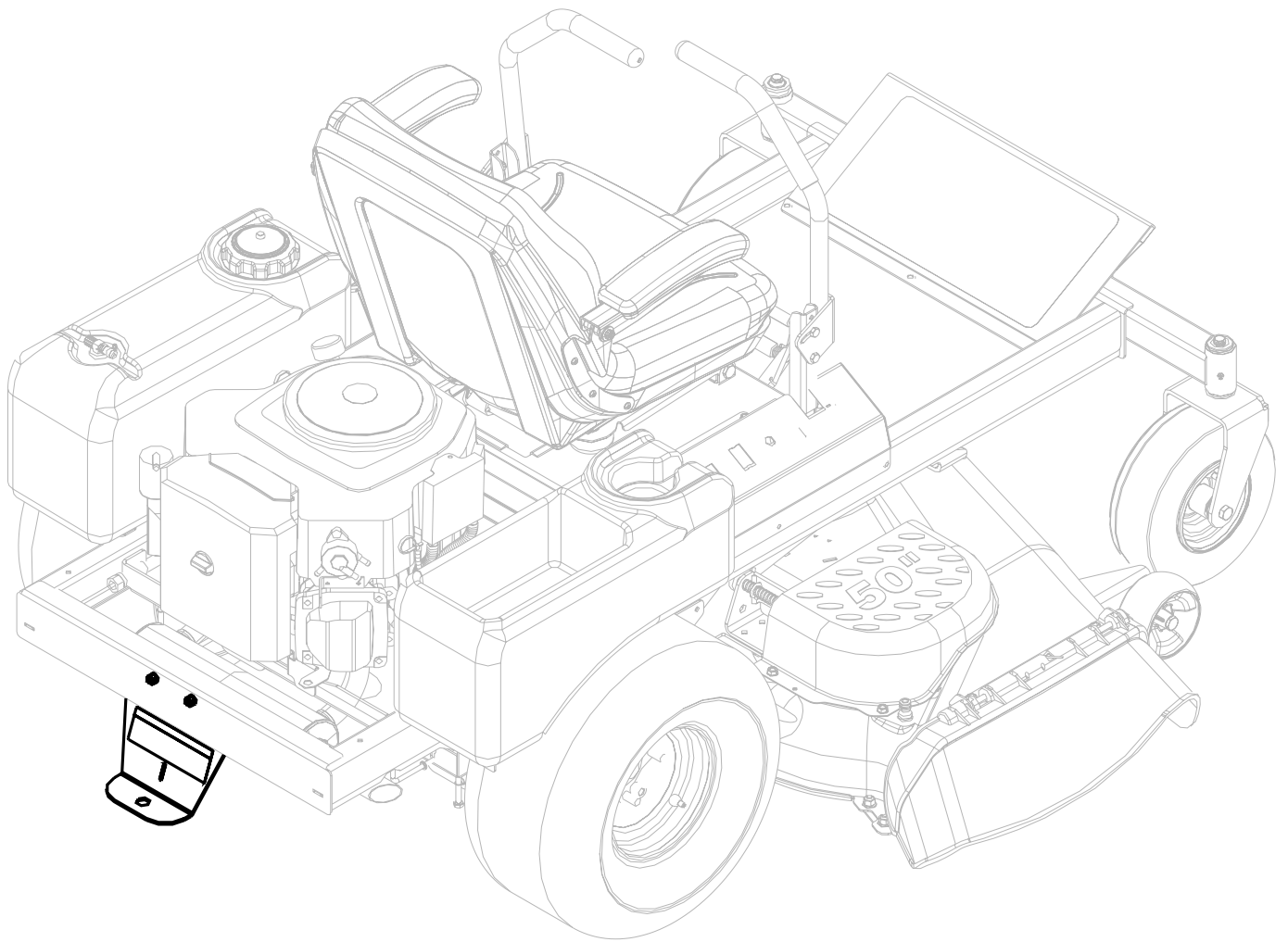




## Z-Force Tow Hitch Kit

590-863-100

---

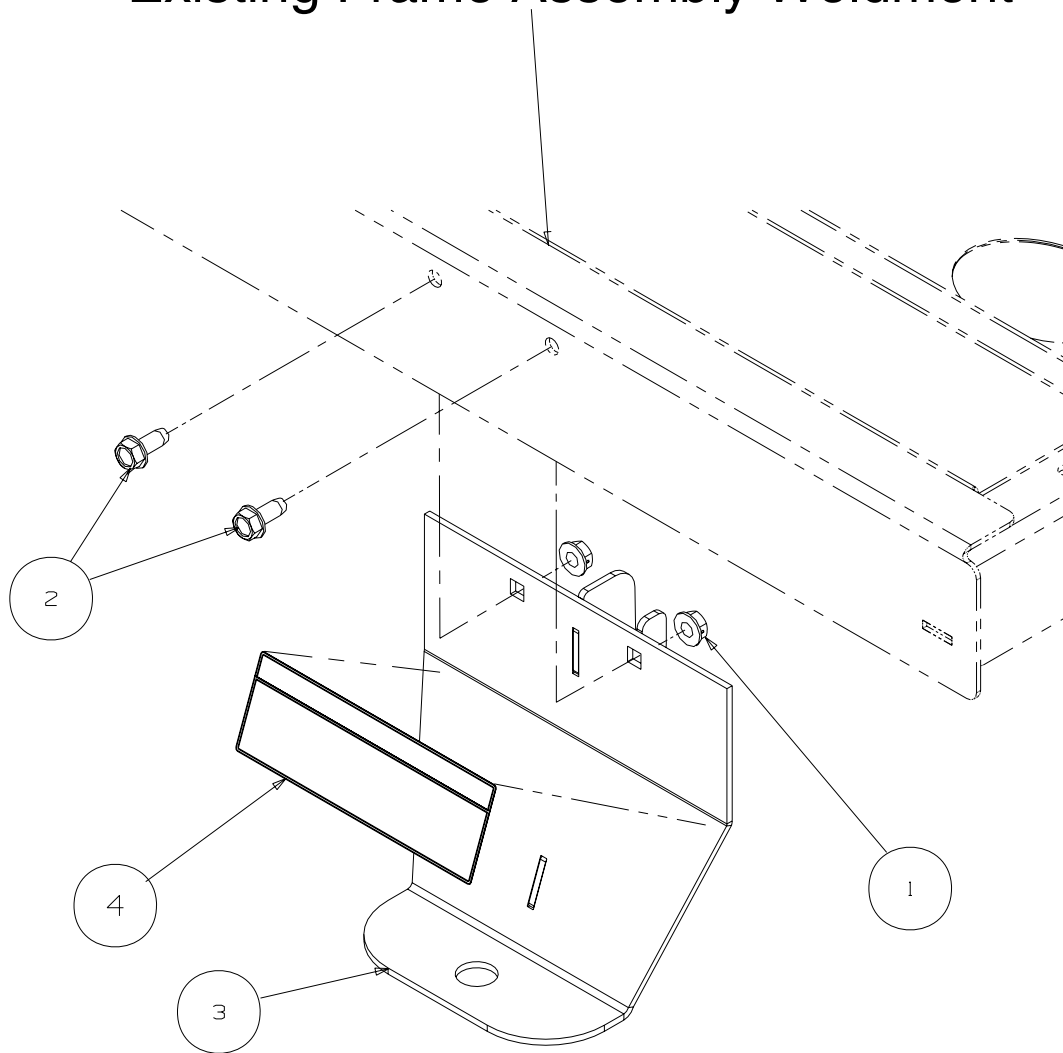


# INSTRUCTION SHEET

---

# Figure 1 and Parts List

## Existing Frame Assembly Weldment



Ref. No.	Part No.	Description	Qty.
1	01000635	Nut, 5/16-18, Hexflange Lock	2
2	01008620	Self Tapping Screw, 5/16-18 x .75	2
3	02002579	Hitch	1
4	02002693	Decal, Hitch Warning	1

# Installation Instructions

1. Before working on machine, make sure engine is stopped and the machine has cooled. Remove the ignition key and disconnect both spark plugs.
2. Fasten Hitch Ref. 3 (02002579) to existing Frame Assembly using self tapping screws 5/16-18 x .75, and 5/16-18 hex flange locknuts. See Figure 1 below.

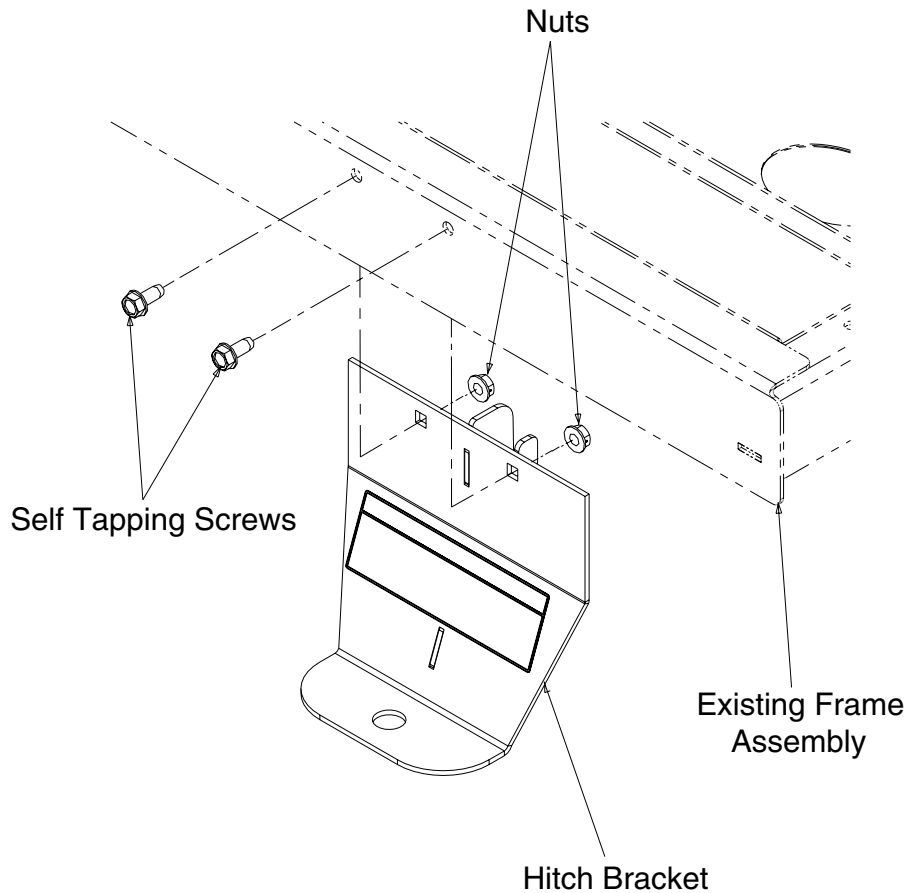


Figure 1

3. Review all printed warnings before proceeding with towing.

## **⚠ WARNING!**

- Maximum weight on hitch is 50 lbs.
- Maximum towed load is 500 lbs.
- Never allow passengers on towed equipment.
- Loss of traction can occur on slopes, 5° (9%) maximum grade.
- Travel slowly and allow extra distance to stop.
- Use caution during turns to avoid jack-knifing.
- Use extra caution when operating in reverse.
- Do not modify hitch or repair hitch. Replace hitch if damaged.

**Note: A standard 1-7/8 dia ball hitch can be mounted to the hitch through the center hole.**

---

Cub Cadet LLC  
P.O. Box 361131  
Cleveland, Ohio 44136-0119

Form No. 02002697 Rev. 07-0 03/21/2007