

CODE: CC-286

DATE: SEPTEMBER 8, 1994

SUBJECT: NEW DIPSTICK FOR 2000 SERIES TRACTORS. (AGS-HDS)

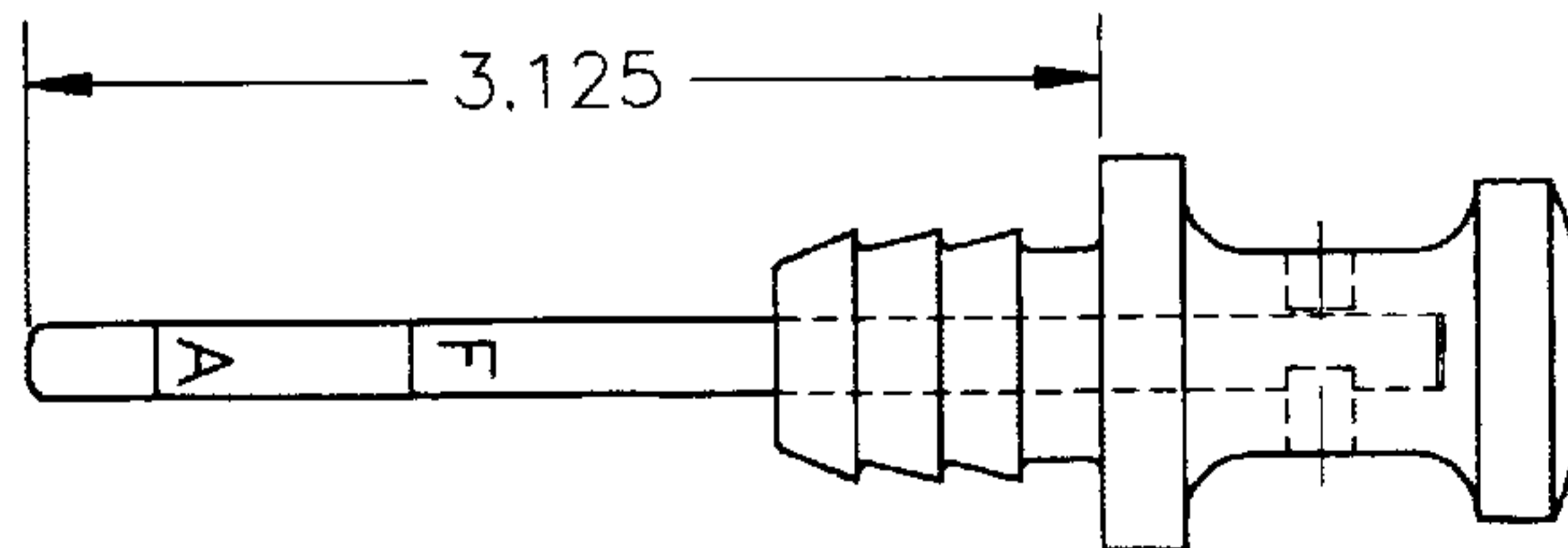
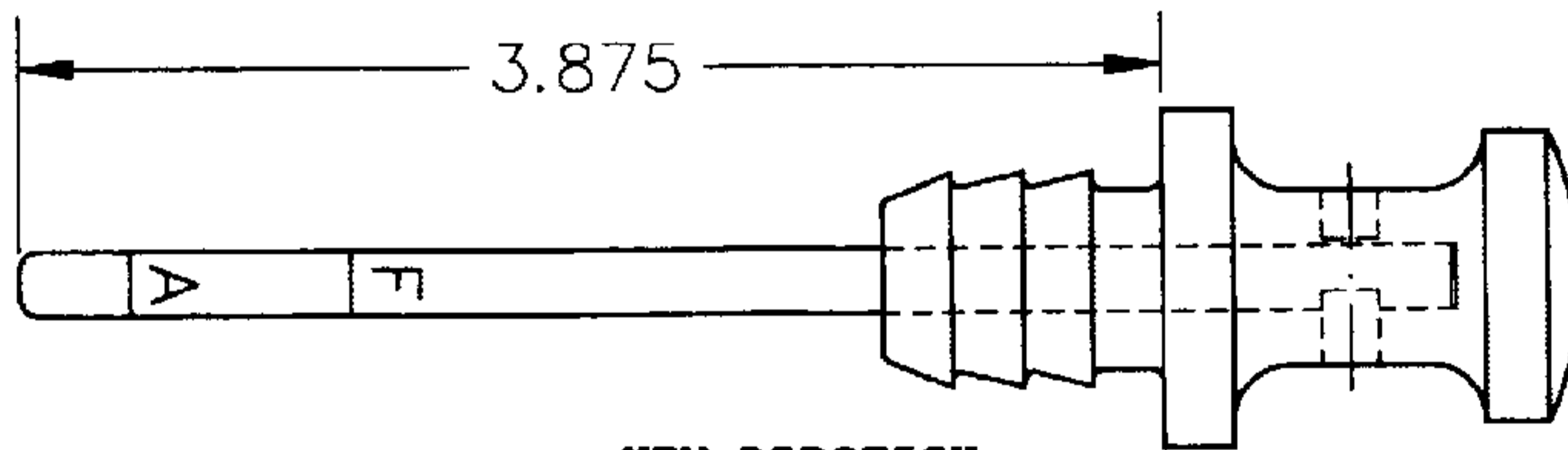
A change has been made in the length of the dipstick for the 2000 Series tractors. This was done because of the need to lower the oil level in certain transmissions because of breather difficulties.

The part number for the dipstick has not changed, however, the dipstick metal extension is now longer. The drawing below should help you identify the new part. (NEW DIPSTICK)

We will continue using the shorter dipstick, in the HDS tractors only, until stock is depleted. (OLD DIPSTICK)

NOTE: Submit a warranty claim for those dipsticks you have changed, along with each tractor serial number. You may submit up to six tractors on one claim.

NO LABOR OR P&D WILL BE ALLOWED TO CHANGE THE DIPSTICKS.



Circulate and initial

Service Mgr.	Parts Mgr	Service Tech.	Service Tech.	
--------------	-----------	---------------	---------------	--