

CODE: CC-292

DATE: DECEMBER 21, 1994

SUBJECT: SERIES 2000 TRACTORS ( MODELS 2130 - 2185 )

PROBLEM: WE HAVE RECEIVED SOME REPORTS FROM THE FIELD OF THE FORWARD AND REVERSE PEDALS BEING SLUGGISH WHEN RETURNING TO NEUTRAL. THE CLEVIS PIN (# 711-0415) IN SOME CASES MAY HAVE AN INTERFERENCE WITH THE NEUTRAL RETURN BRACKET (# 603-0215) SHOWN IN FIG. 2 BELOW.

SOLUTION: REMOVE THE NEUTRAL RETURN BRACKET AND GRIND OUT THE INSIDE OF THE BRACKET FROM THE DOTTED LINE (SHOWN IN FIG. 1) DOWN APPROXIMATELY .100 TO ACHIEVE PROPER CLEARANCE FOR THE CLEVIS PIN.

FLAT RATE: .7 HOUR

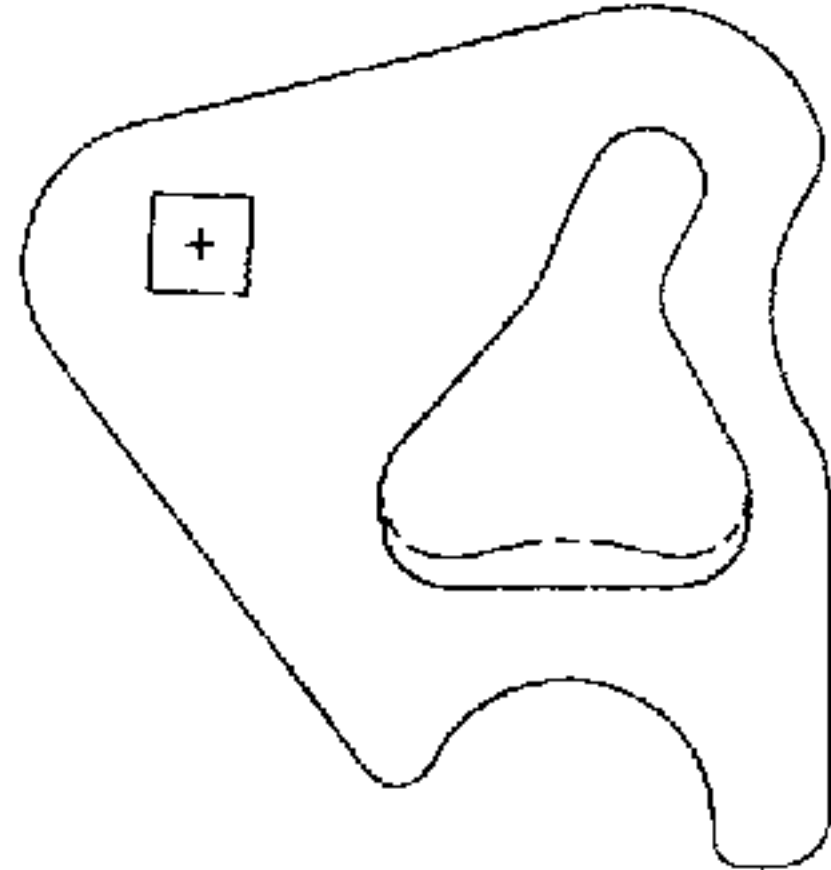
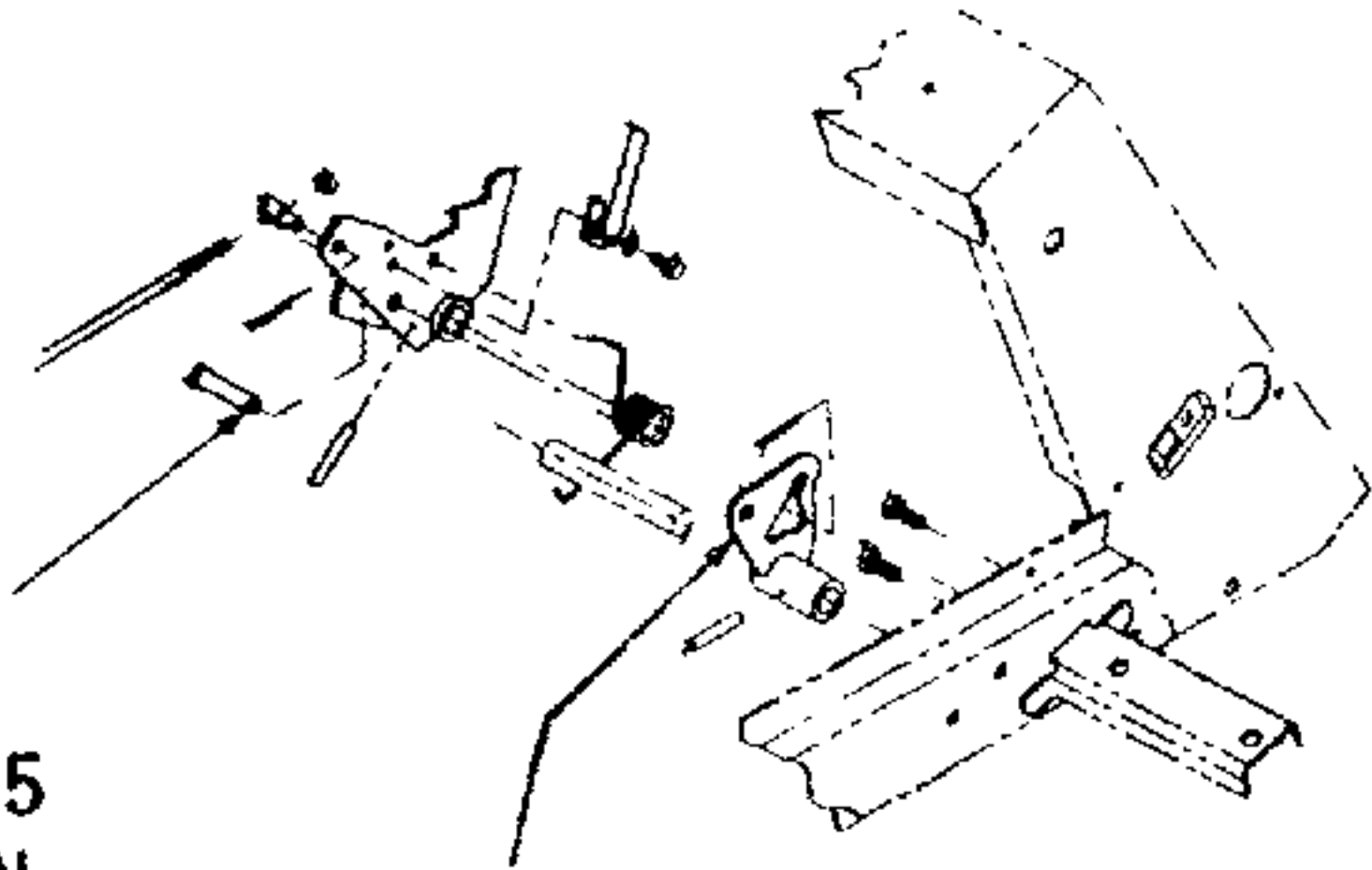


FIG. 1



#711-0415  
CLEVIS PIN

#603-0215  
NEUTRAL RETURN BRACKET

FIG. 2

Circulate and initial

Service Mgr	Parts Mgr	Service Tech	Service Tech	
-------------	-----------	--------------	--------------	--