

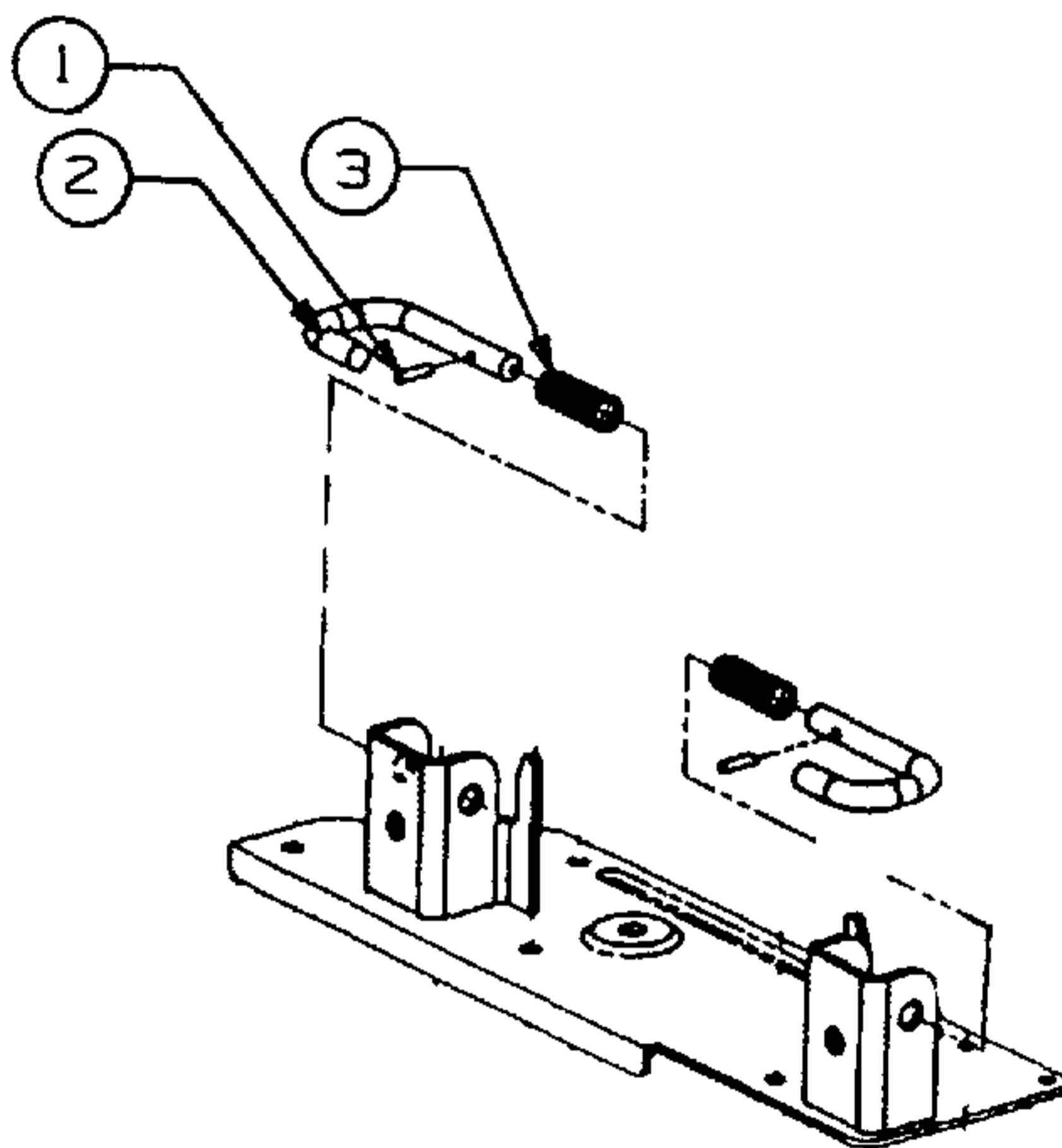
CODE: CC-282

DATE: MAY 27, 1994

SUBJECT: MOWER DECKS FALLING OFF TRACTORS, 2000 SERIES
(2130-2135-2140-2145-2160-2165-2185)

Reports from the field indicate that the spring on the mower deck J-bolt may be too weak. If you have experienced the above difficulty order the new spring 732-3127. See item 3.

Replacing the old spring with the new will correct the situation.



Submit a warranty claim for each mower deck involved using the tractor serial number as a tracking device. Submit for 0.5 hours labor.

You may submit up to four tractors per claim. Please supply the serial number for each tractor involved.

Circulate and initial

Service Mgr.	Parts Mgr.	Service Tech.	Service Tech.	
--------------	------------	---------------	---------------	--