

Power Equipment

CODE: CC-271

DATE: FEBRUARY 6, 1994

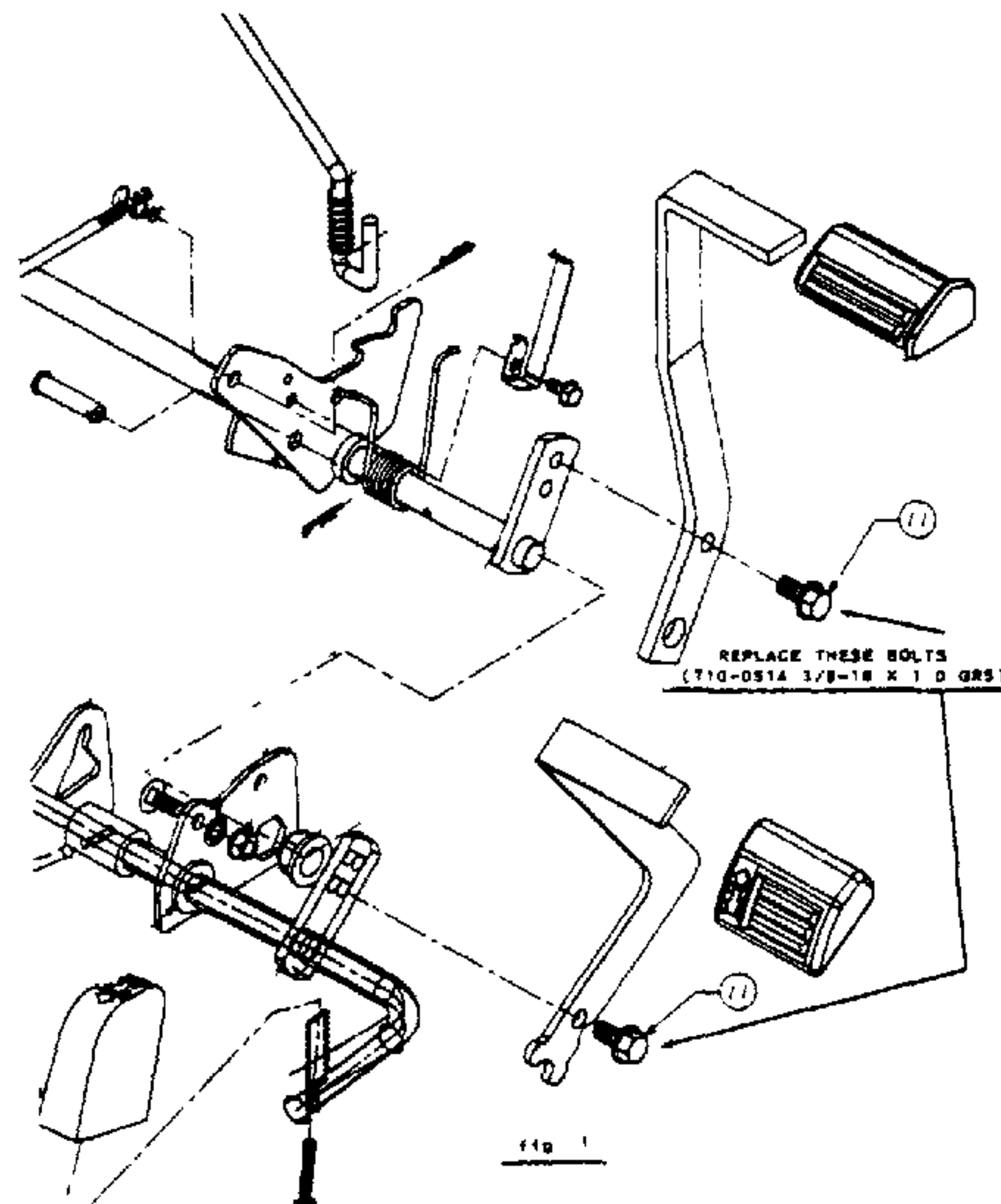
SUBJECT: BRAKE PEDAL AND DRIVE PEDAL BOLTS BREAKING ON 2135 TRACTORS. SERIAL NUMBER 239301-241640.

The bolts used to secure the brake pedal and forward drive pedal to their respective cross shafts may break. The process used to zinc plate the bolts may have been missed by the manufacturer causing them to be brittle.

Replace the bolts mentioned above (see fig. 1), using the part number suggested or, an existing bolt from your parts stock that meets grade 5 specifications.

Submit a warranty claim to Cub Cadet for 0.3 hours labor, plus parts, for each tractor involved. You may put up to four tractors on one warranty claim. P&D will be allowed if the tractor has been sold, registered and paid for by February 18, 1994.

NOTE: This is a mandatory program.



Circulate and initial

Service Mgr	Parts Mgr	Service Tech	Service Tech.	
-------------	-----------	--------------	---------------	--