



# Service Advisory CC-360

LAWN TRACTOR AND SERIES 2000

Model: 2130, 2135, 2140, 2145, 2150, 2155 with tractor serial 389,000 and below

Date: July 31, 1998

Subject: 190-411-100 FRONT GAUGE WHEEL KIT

## INSTALLATION INSTRUCTIONS

- 1 Remove the mowing deck from tractor and clean all debris from deck
- 2 Place deck on a flat surface.
3. 38" Deck: Place the rear gauge wheels into the top hole on the wheel brackets  
42" Deck: Remove the quick release pin and slide rear gauge wheels all the way up  
Replace quick release pin. See illustration below

**NOTE:** If rear gauge wheels or front roller look worn or damaged, measure the distance of the blade to the ground surface. Looking through the discharge chute, orient the blade to the front of the deck. Measure the cutting edge of the blade to the ground at the front of the deck and then at the rear of the deck. The front measurement should be approximately 1/8" smaller than the back measurement. If not, shim the deck as necessary to obtain the 1/8" difference.

4 Place a flat washer on shoulder bolt and slide shoulder bolt through front gauge wheel. Place a belleville washer on the shoulder bolt. Insert shoulder bolt and wheel through top hole in wheel bracket and secure with flanged lock nut. Repeat the procedure on the other wheel bracket.

5 Locate the wheel brackets as follows, measuring from the inside edge of the front left roller bracket to the outside edge of the wheel brackets. See illustration on back.

A) Left hand wheel bracket.

38" Deck. 13-7/8" from inside of left roller bracket to outside of wheel bracket

42" Deck. 14-1/8" from inside of left roller bracket to outside of wheel bracket

B) Right hand wheel bracket:

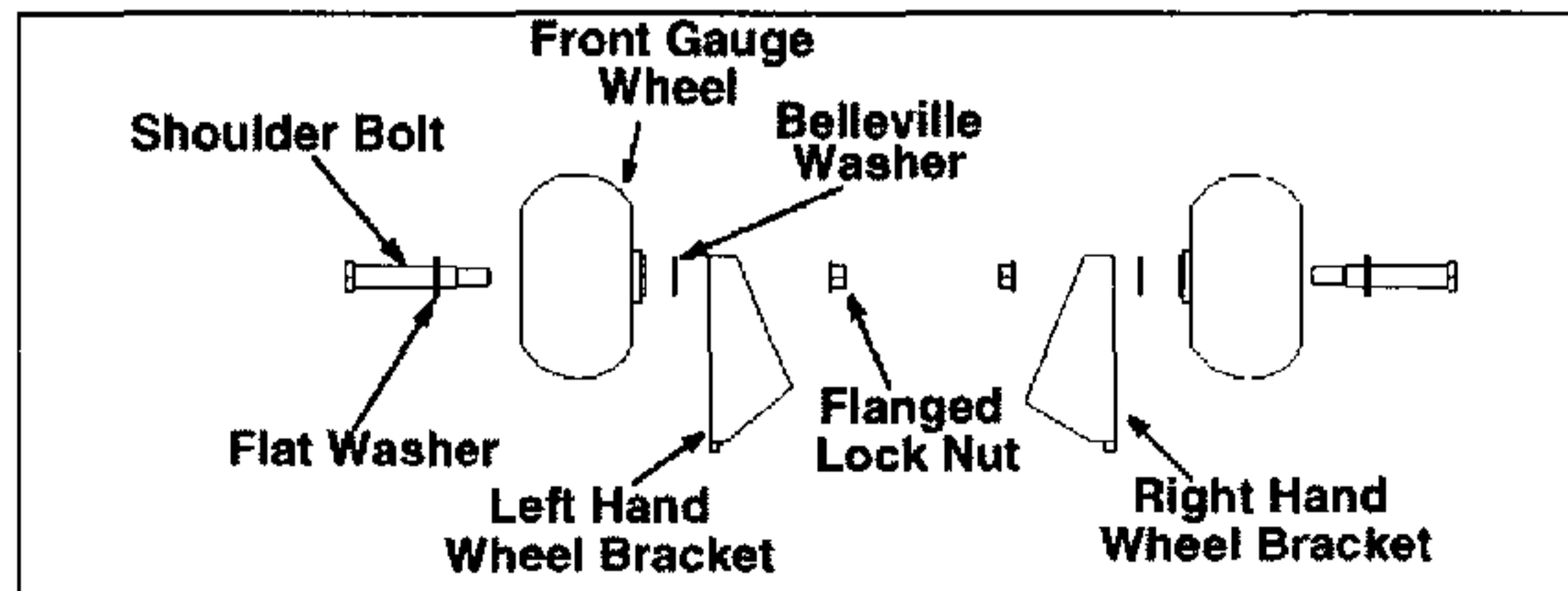
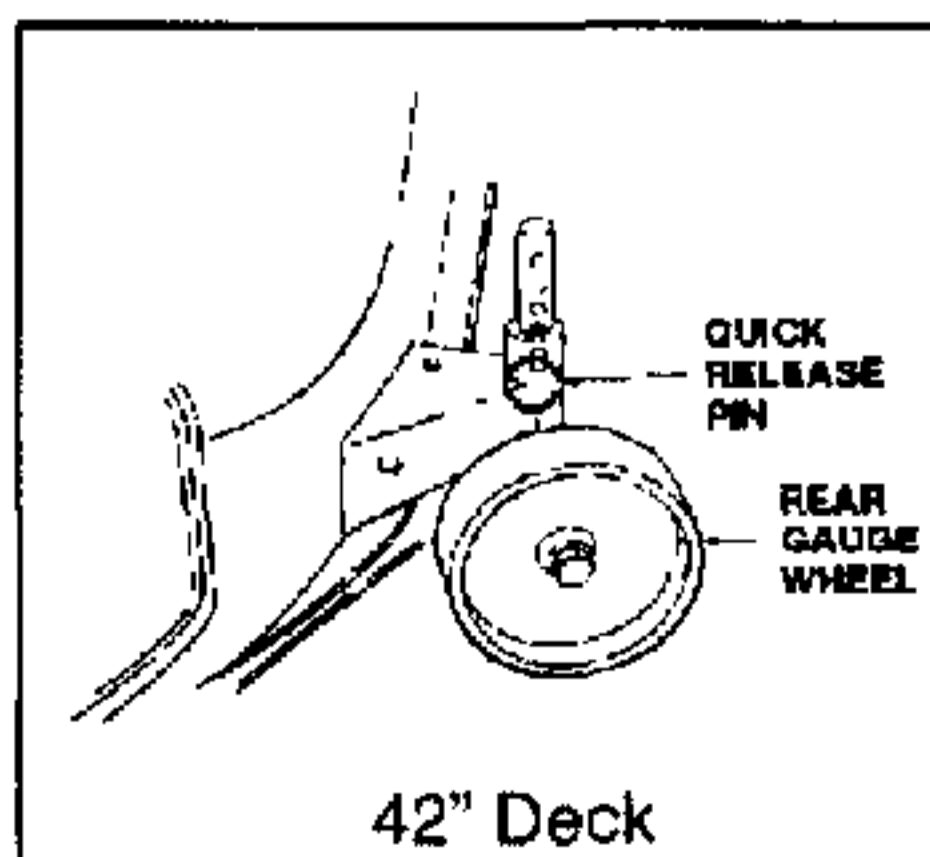
38" Deck. 17-5/8" from inside of left roller bracket to outside of wheel bracket

42" Deck. 21-1/8" from inside of left roller bracket to outside of wheel bracket

**NOTE:** Front wheel brackets must be parallel with the roller brackets and gauge wheels must rest on flat surface.

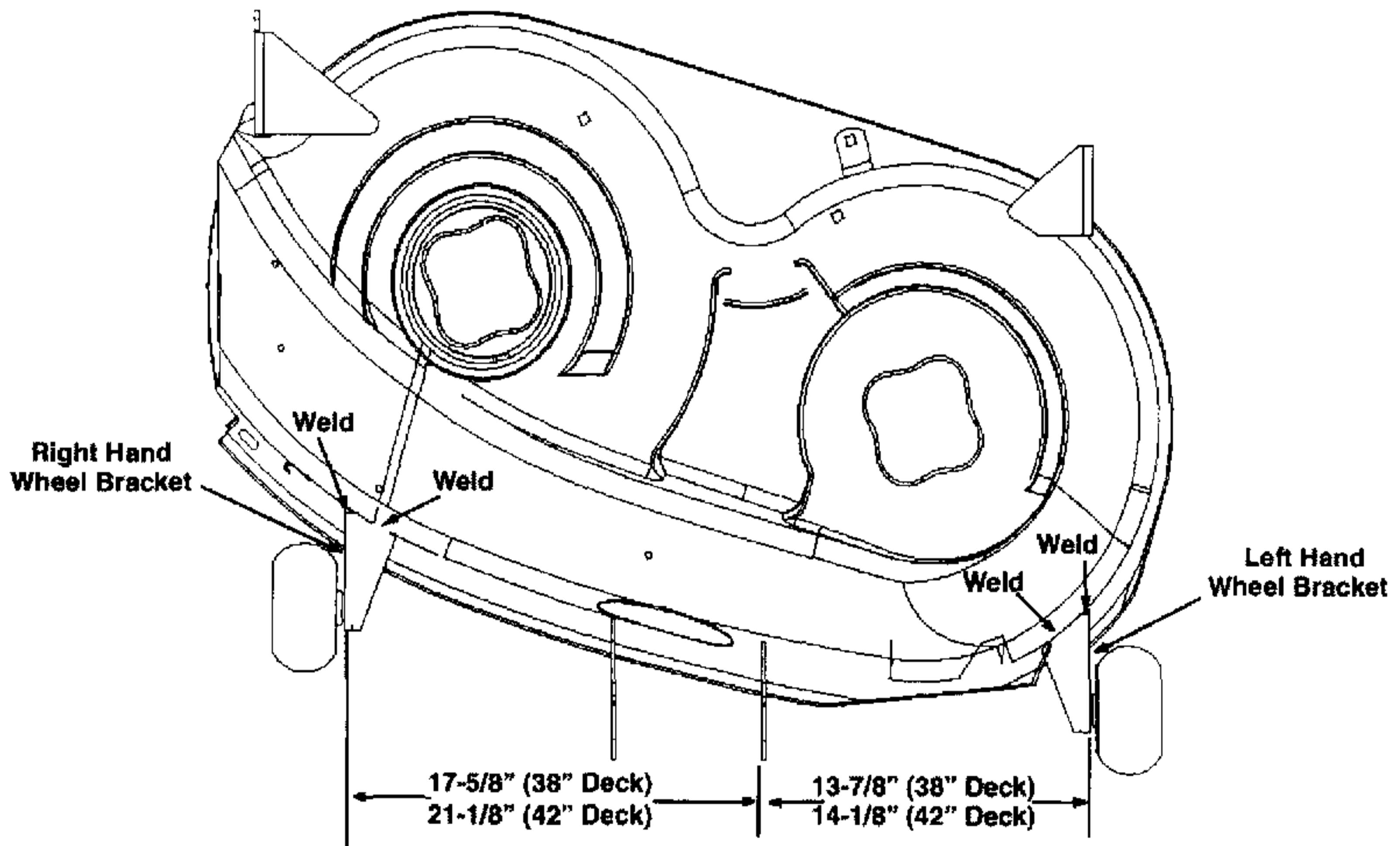
6. Tack brackets in place first to check proper location, then weld along the top and outside edge of brackets. See illustration on back.

7 Clean and paint area as needed. Reassemble deck to tractor.



**COMPLETE GOODS 190-411-100 FRONT GAUGE WHEEL KIT**

PART NUMBER	DESCRIPTION	QTY
738-3056P	BOLT, SHOULDER	2
736-0272P	WASHER, FLAT	2
734-3058B	WHEEL, FRONT GAUGE	2
NOT AVAILABLE	BRACKET, LH WHEEL	1
NOT AVAILABLE	BRACKET, RH WHEEL	1
736-0105P	WASHER, BELLEVILLE	2
712-0431P	NUT, FLANGED NUT	2



WARRANTY ALLOWANCE: NONE. This is being released for information only.

Service Manager	Parts Manager	Service Tech.	Service Tech	Service Tech

Circulate and Initial