

TIME SCHEDULE AND PROCEDURES

INTRODUCTION TO TIME SCHEDULE AND PROCEDURE MANUAL

GENERAL

This manual provides a general explanation of maintenance and repair functions and the time allotted by Cub Cadet for the accomplishment of each function on Cub Cadet Series 2000 Tractors.

This manual has a master table of contents listing each section in the manual and an introduction that is applicable to all sections. The rest of the manual is divided into sections by tractor model number.

Each page of each tractor model section contains the applicable model number of that section at the top of the page. Each tractor model section consists of: a section cover, a table of contents for the section, the body of the section, and an alphabetical index.

- The section cover provides the Series 2000 Tractor Model Number for that section.
- The table of contents provides the operation number and name and the applicable section page number.
- The body of the manual provides information on the maintenance and repair functions authorized for the model. Additional information on the tabular arrangement of this portion of the section and the related illustrations contained within it is provided below.
- The alphabetical index lists part names, their associated operation numbers, and the related page number.

The purpose of this manual is to supply information on operations and applicable operations numbers to personnel responsible for repairing and/or costing of maintenance functions performed on a Cub Cadet Series 2000 Tractor, especially work required under warranty coverage.

When a warranty claim is to be filed, a *WARRANTY CLAIM FORM #772-3081.4* must be used. If specific information is required, please refer to the Service Policy Binder under Warranty Tab #777-3958B.

EXPLANATION OF COLUMNS IN THE BODY OF EACH SECTION

1. **OPERATION NUMBER** column: An operation number is a number given to each procedure accomplished on a given tractor. The first letter of the operation number identifies the applicable subsection of the Time Schedule and Procedure Manual section for each model. The operation number also, in most cases, appears on related exploded view illustrations of the components that are the subject of a particular operation. See the table of contents for additional information.
2. **OPERATION DESCRIPTION** column: This column names the component that is the subject of the procedure and describes the maintenance functions to be performed. Maintenance functions are defined as follows:
 - a. **Adjust.** To make changes to the variable elements of the equipment to cause the performance of the equipment to meet specifications.
 - b. **Check.** To determine a component's serviceability by comparing physical, mechanical, and/or electrical characteristics against established requirements.
 - c. **Inspect.** To determine a component's serviceability by comparing physical, mechanical, and/or electrical characteristics against established requirements.
 - d. **Overhaul.** To perform complete disassembly of the item, complete cleaning, 100% inspection, replacement of damaged or worn components, reassembly, and reassembly verification.

- e. **Repair.** To restore an unserviceable piece of equipment to a serviceable condition by accomplishing only the required maintenance functions.
 - f. **Remove/Install.** To remove a part and install the same part into the same position without any further maintenance.
 - g. **Replace.** To substitute a serviceable component for an unserviceable component.
3. **OPERATION INCLUDES column:** This column describes each operation and related operation number, or numbers, needed to accomplish the procedure. The **FLAT RATE TIME** column includes the times required to accomplish all subsidiary operations.
 4. **SERVICE MANUAL NUMBER column:** Provides reference to appropriate service manual.
 5. **FLAT RATE TIME column:** This column shows the amount of time allotted for the operation. This time is cumulative and includes the time allotted to accomplish the operation specified in the **OPERATION DESCRIPTION** column and all **OPERATION NUMBERS** listed in the **OPERATION INCLUDES** column.

HOW TO USE THIS MANUAL

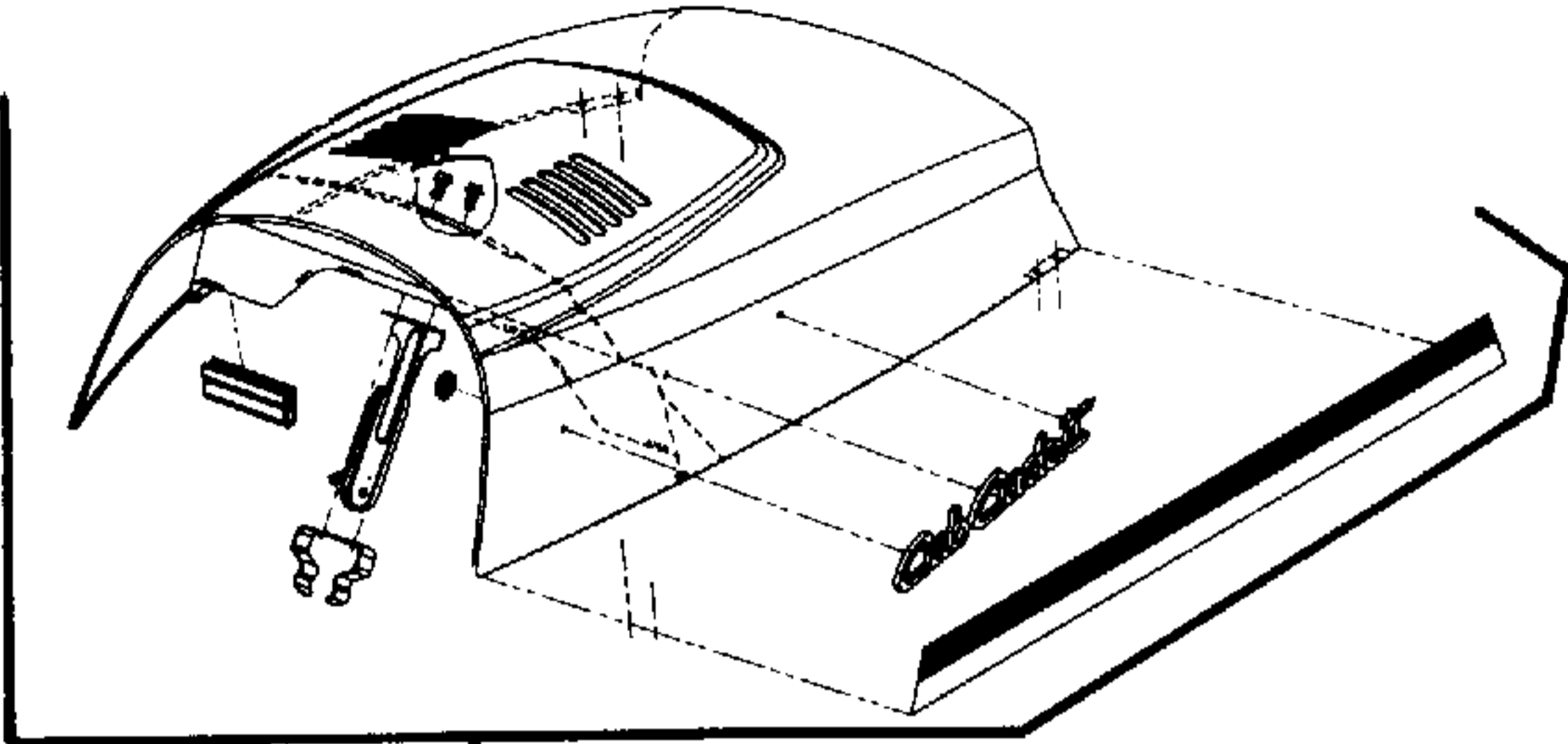
This document contains several methods of locating applicable procedures: a table of contents in operation number and page number order, alphabetical index by part names with their associated operation numbers, and, within the manual, exploded view illustrations with the associated operation number marked next to them.

Operations can be found in one of several ways:

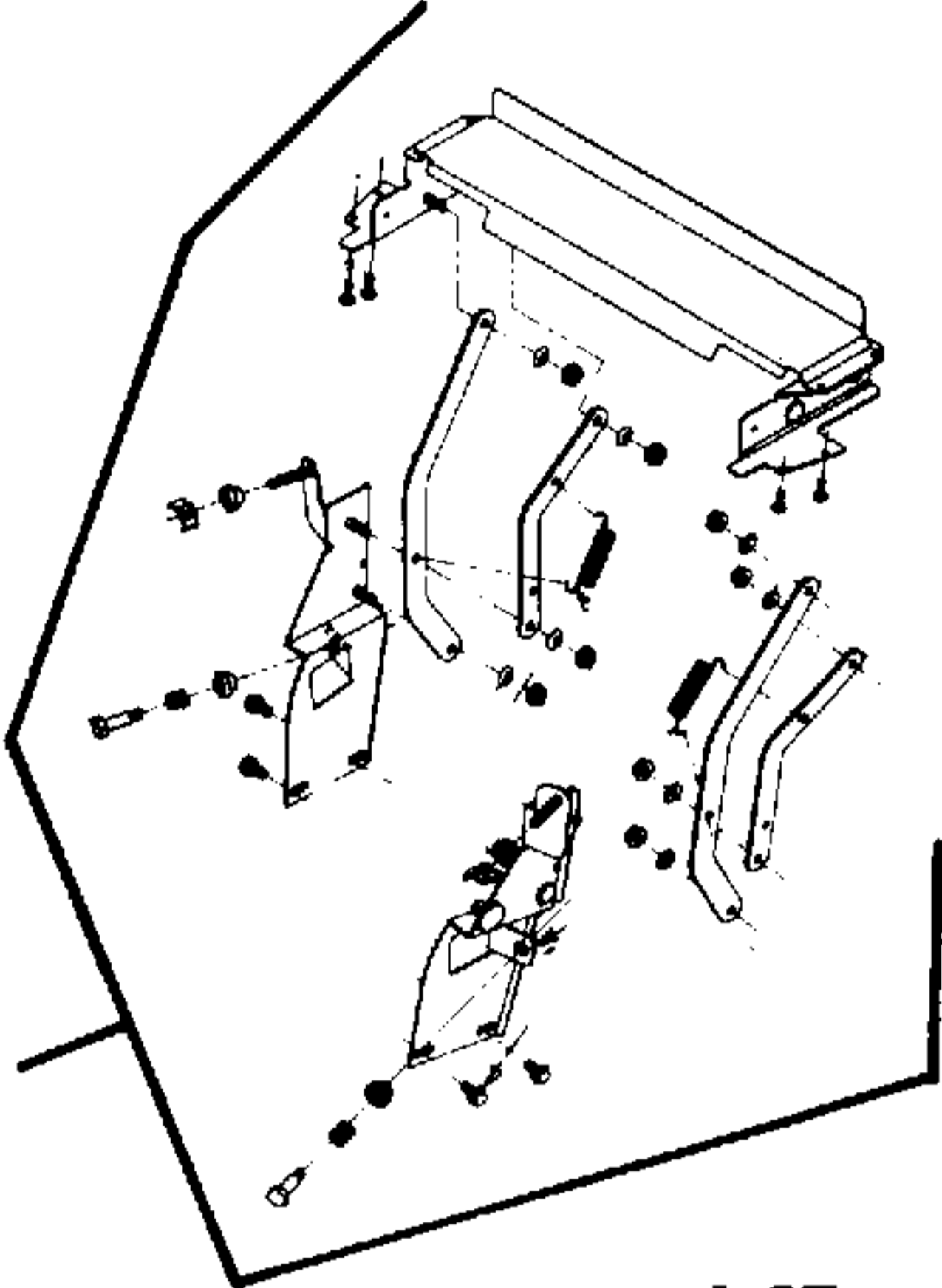
1. When a warranty claim is received and an operation number is provided, refer to the table of contents, which is in operation number order, to find the page number upon which the information related to that operation is provided.
2. When a warranty claim is received and the operation number is not provided but the operation description or part name is, then refer to the alphabetical index to find appropriate operation and page numbers.
3. Additionally, scanning the exploded views contained in the manual will provide information on operation numbers related to the portion of the tractor illustrated.

Table of Contents

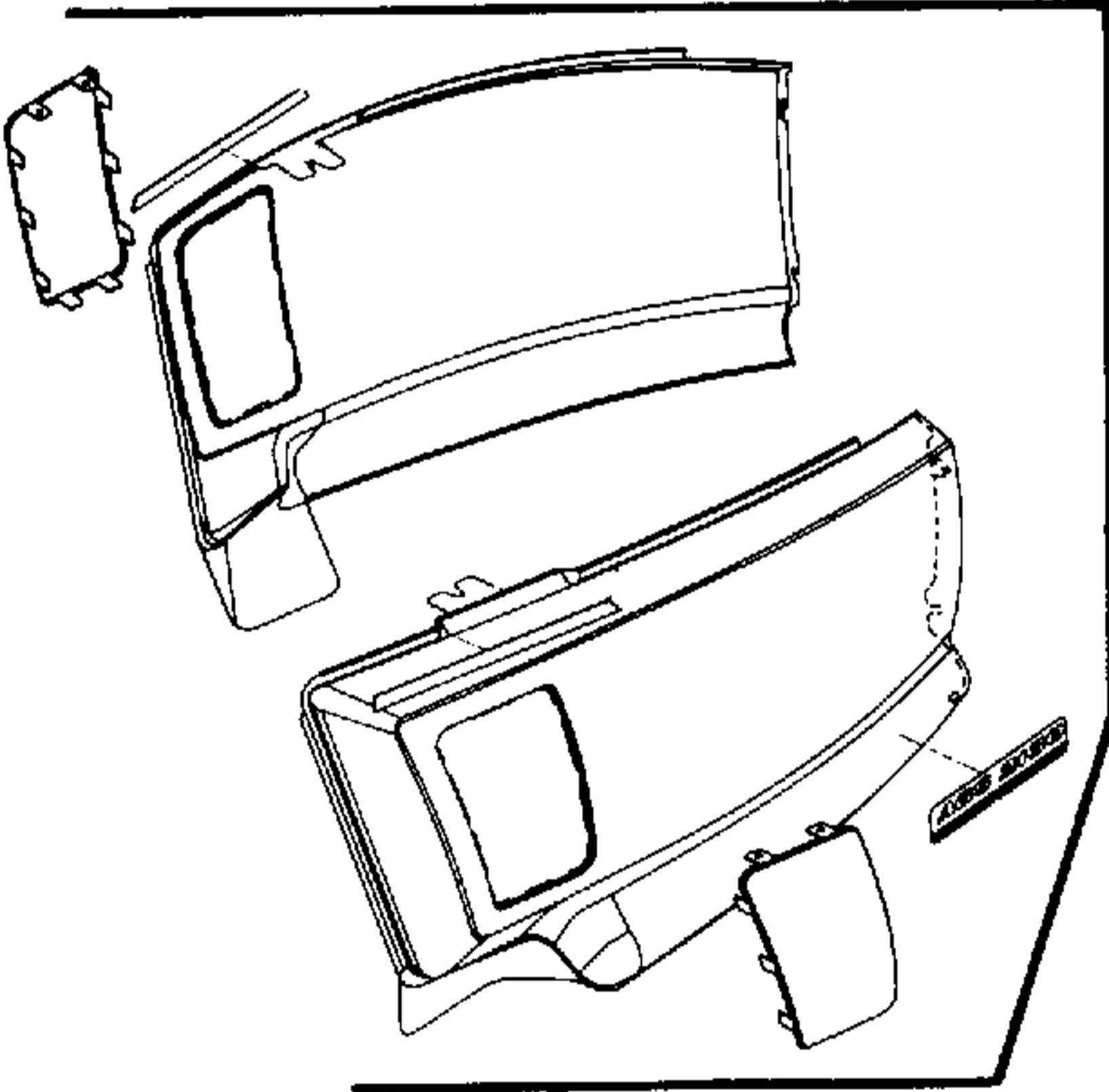
	Page
Belts	41
Brakes	37
Camshaft	16
Carburetor	27
Charge Pump	33
Crankshaft	23
Cylinder Head Assembly	18
Deck	41
Deflector Chute	45
Electrical System	29
Engine Assembly	14
Engine Controls	27
Engine Electrical	14
Fender	3
Flywheel Assembly	25
Front Axle Assembly	9
Fuel Pump	25
Fuel Tank Assembly	28
Grille and Housing	6
Headlight Assembly	4
Hood	3
Hydrostatic Pump	33
Hydrostatic Transmission	33
Instrument Panel	4
Lift Shaft Assembly	6
Main Frame	6
Muffler	23
Oil System	20
PTO Clutch	40
Pulleys	41
Rocker Arm	17
Rockshaft Lift Assembly	8
Seat	3
Starter Assembly	18
Steering	13
Switches	31
Throttle Control	4
Transmission	35
Valves	17
Wheel and Tire Assembly	11



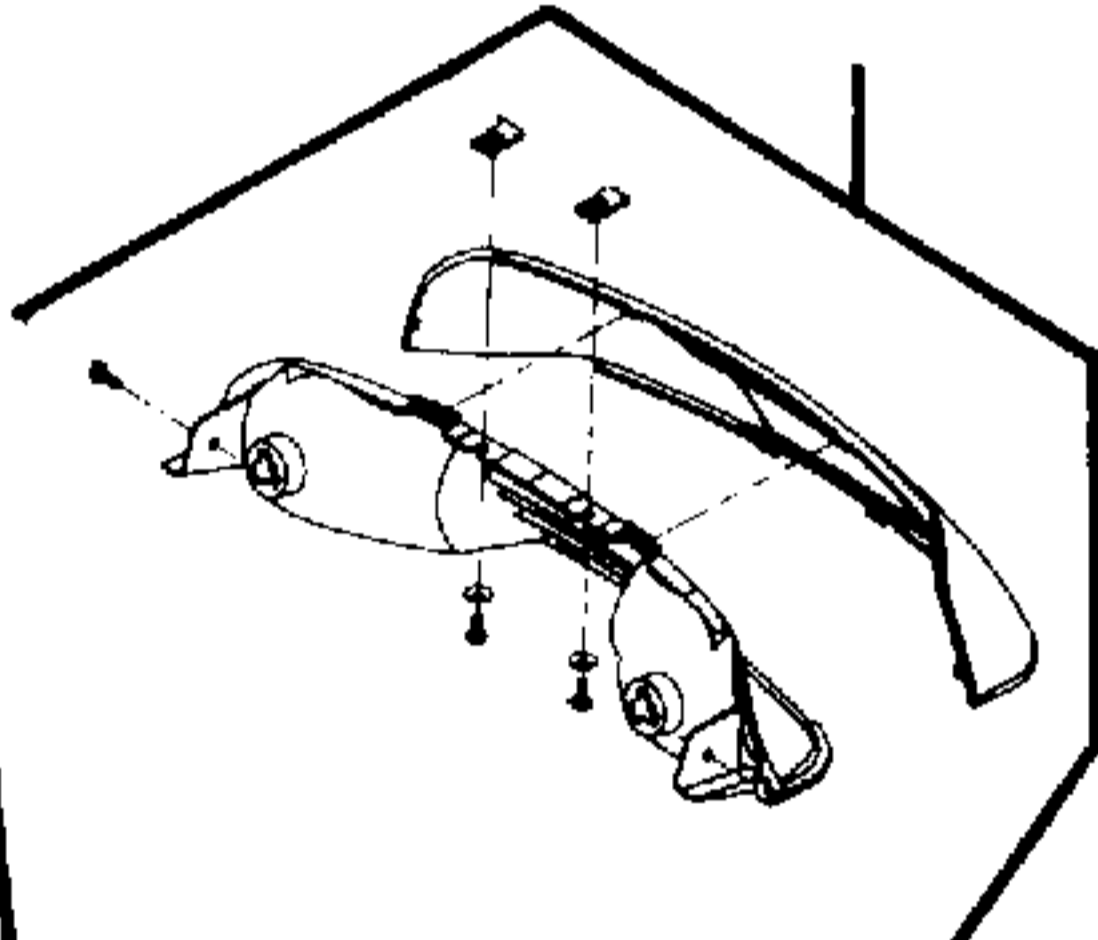
A-01
HOOD



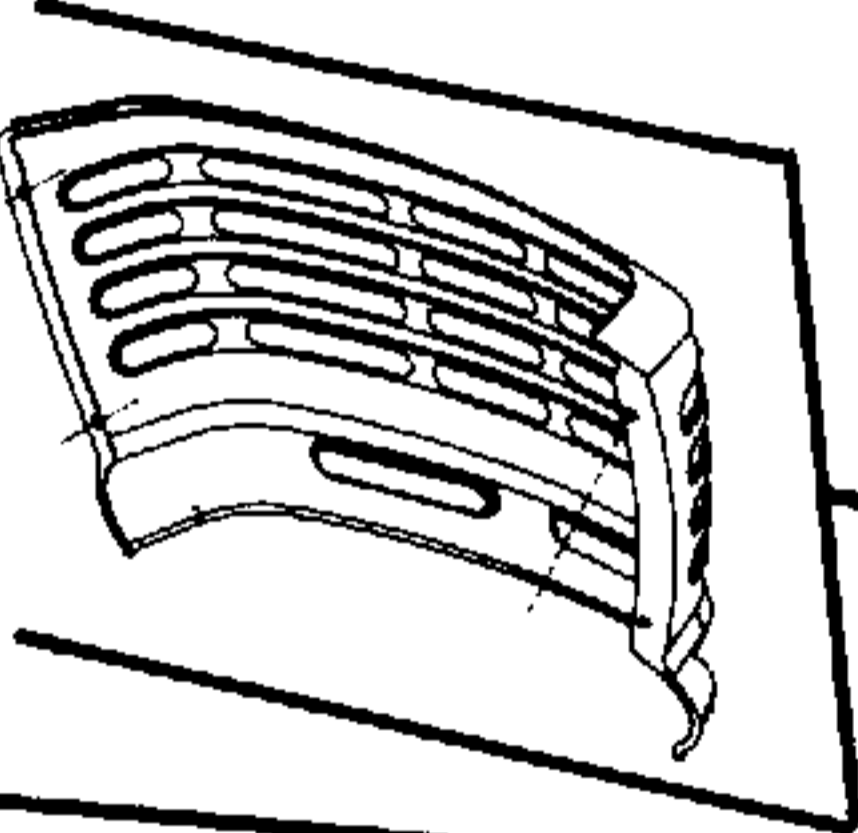
A-02
HOOD HINGE
ASSEMBLY



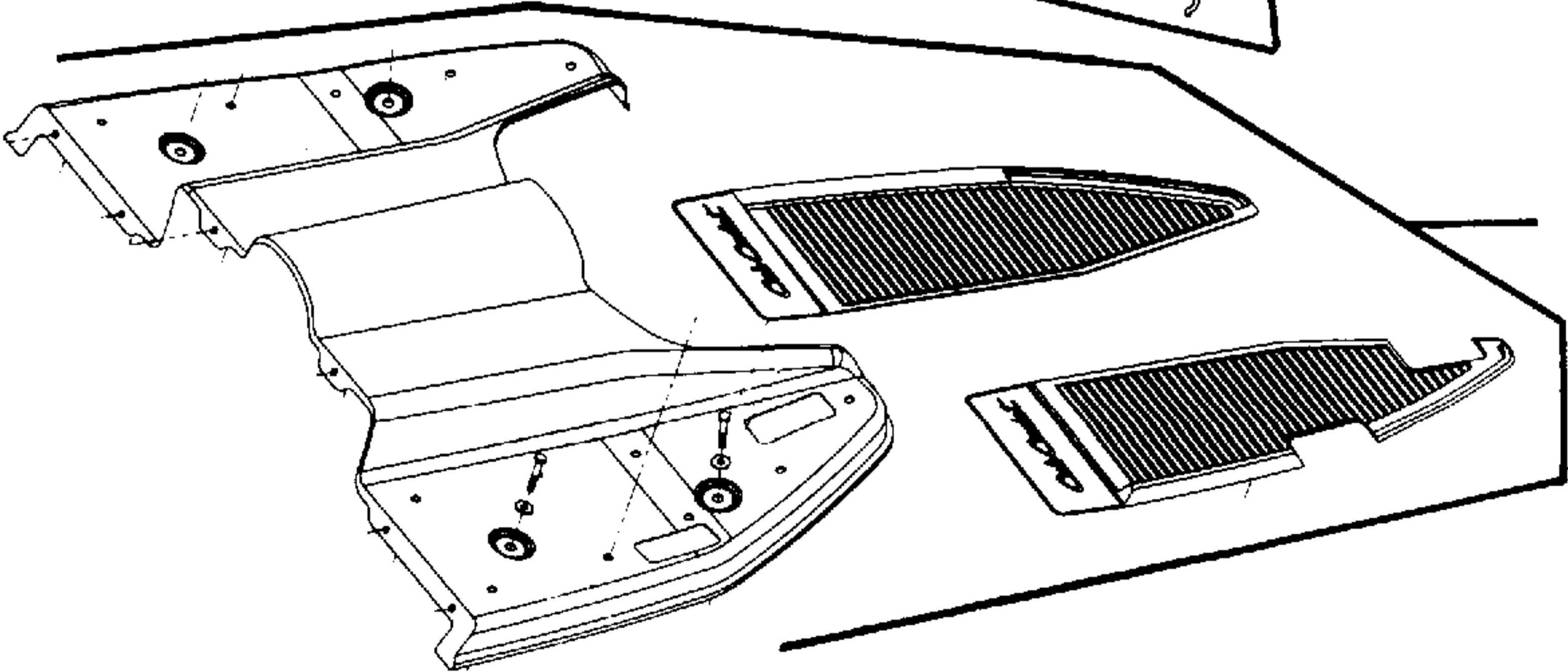
A-03
SIDE PANEL



A-07
HEADLIGHT
ASSEMBLY



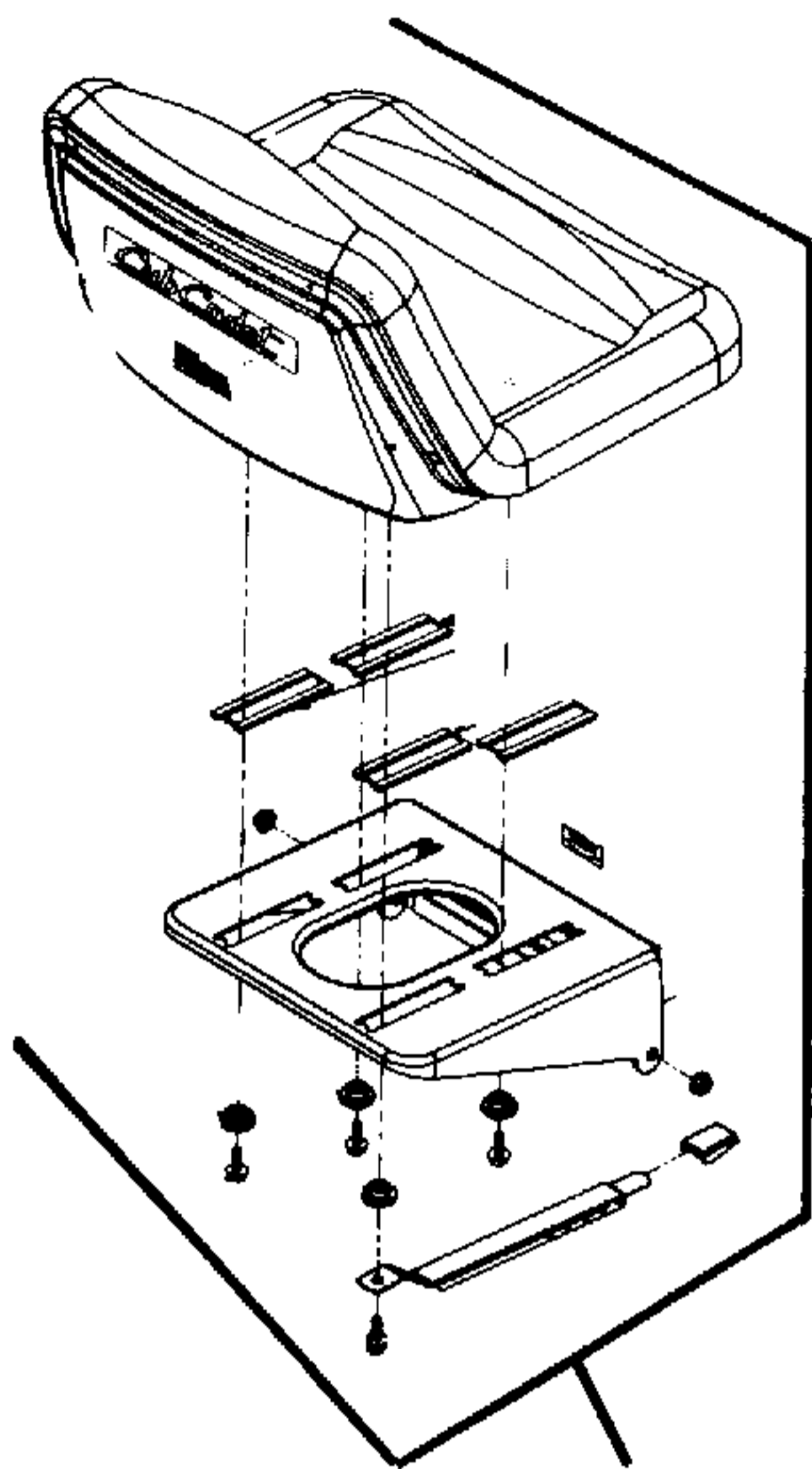
A-14
GRILLE AND
HOUSING



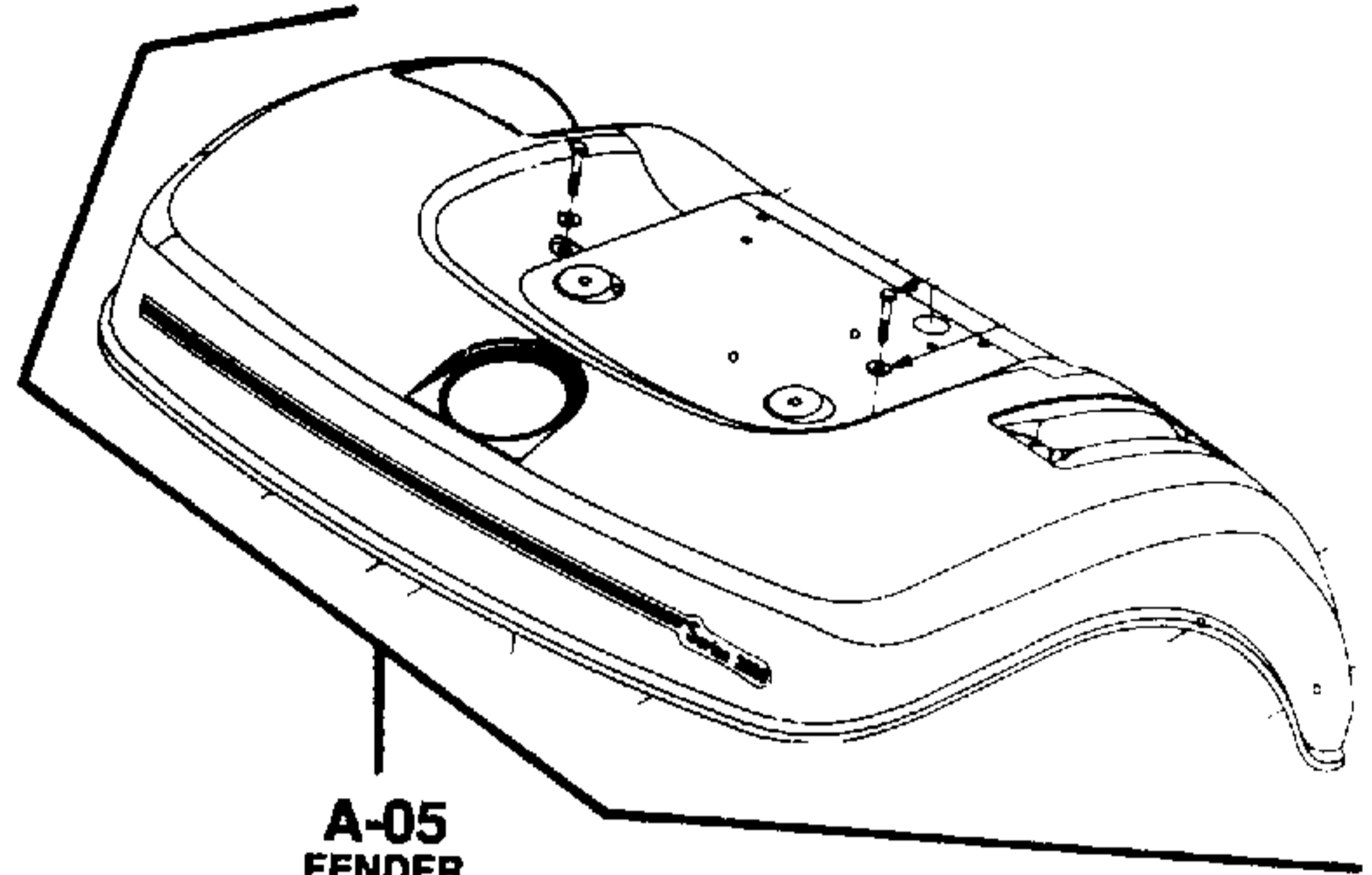
A-06
FOOT REST

OPERATION NUMBER	OPERATION DESCRIPTION	OPERATION INCLUDES:	SERVICE MANUAL NUMBER	FLAT RATE TIME
A-01	Hood: Remove/Install or Replace	<ol style="list-style-type: none"> 1. Remove hood from hood hinge assembly. 2. If replacement hood is required: <ol style="list-style-type: none"> a. Remove Cub Cadet script graphic and hood latch clip from hood. b. Install graphic and clip onto new hood. 3. Reassemble. 	772-4232	0.5
A-02	Hood Hinge: Remove/Install or Replace	<ol style="list-style-type: none"> 1. Remove hood hinge assembly from hood (A-01) and grille. 2. Replace or reinstall hood hinge assembly. 3. Reassemble. 	772-4232	0.5
A-03	Side Panel: Remove/Install or Replace (one side only)	<ol style="list-style-type: none"> 1. Remove side panel. 2. If replacement of panel is required, install screen. 3. Reassemble. 	772-4232	0.2
A-04	Seat: Remove/Install or Replace	<ol style="list-style-type: none"> 1. Remove seat pivot bracket and seat from fender. 2. Remove seat pivot bracket from seat. 3. Replace or install seat onto seat pivot bracket. 4. Reassemble. 	772-4232	0.2
A-05	Fender: Remove/Install or Replace	<ol style="list-style-type: none"> 1. Remove seat (A-04). 2. Disconnect electrical wiring. 3. Remove fender. 4. Install/replace fender. 5. Reassemble. 	772-4232	0.3
A-06	Foot Rest: Remove/Install or Replace	<ol style="list-style-type: none"> 1. Remove/install or replace foot rest. 2. If replacement of foot rest is required, remove and replace foot pads. 3. Reassemble. 	772-4232	0.1

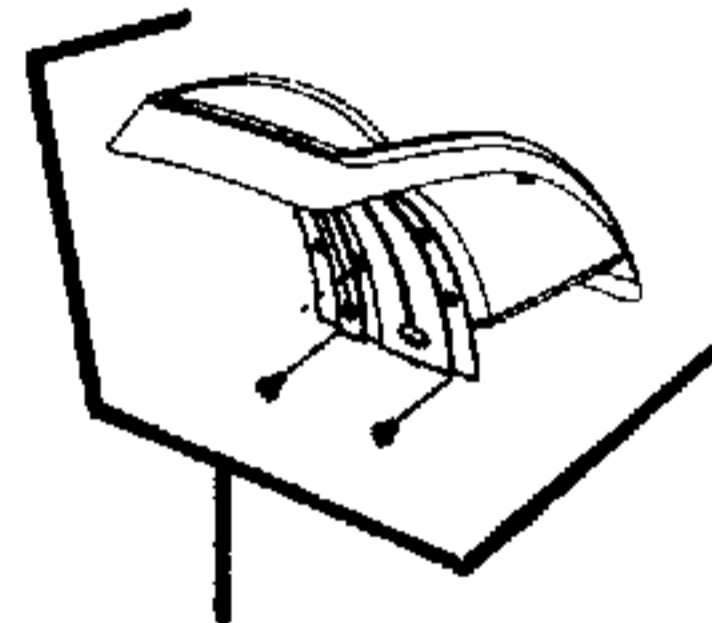
OPERATION NUMBER	OPERATION DESCRIPTION	OPERATION INCLUDES:	SERVICE MANUAL NUMBER	FLAT RATE TIME
A-07	Headlight Assembly: Remove/Install or Replace	1. Remove hood (A-01). 2. Replace or reinstall headlight lens or reflector.	772-4232	0.7
A-08	Implement Lift Cover: Replace/Install	Replace or reinstall implement lift cover.	772-4232	0.1
A-09	Shifter Cover: Replace/Install	Replace or reinstall shifter cover.	772-4232	0.1
A-10	Instrument Panel Dash Label: Remove/Install or Replace	Remove/install or replace instrument panel dash label.	772-4232	0.1
A-11	Instrument Panel: Remove/Install or Replace	1. Remove side panel (A-03). 2. Remove battery and all electrical components (F-02). 3. Remove steering wheel (C-01). 4. Remove throttle cable (A-12). 5. Remove choke cable (A-13). 6. Remove dash label (A-10). 7. Remove/install or replace instrument panel. 8. Reassemble.	772-4232	1.0
A-12	Throttle Control: Remove/Install or Replace	1. Remove side panel (A-03). 2. Remove battery (F-02). 3. Remove throttle control knob. 4. Remove/install or replace throttle control. 5. Reassemble.	772-4232	0.5
A-13	Choke Cable With Nut: Remove/Install or Replace	1. Remove side panels (A-03). 2. Remove battery (F-02). 3. Remove/install or replace choke cable with nut. 4. Reassemble.	772-4232	0.5



**A-04
SEAT**

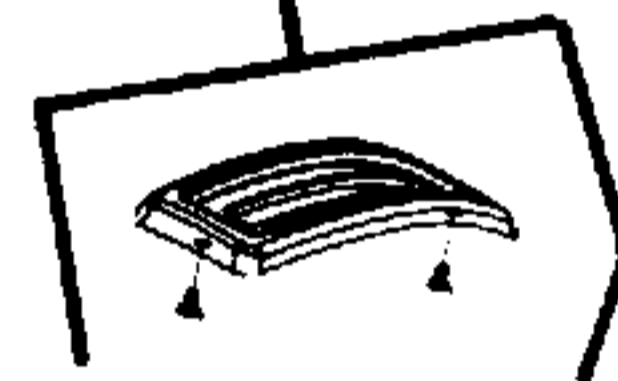


**A-05
FENDER**



**A-08
IMPLEMENT
LIFT COVER**

**A-09
SHIFTER COVER**



**A-12
THROTTLE CONTROL**

**A-10
INSTRUMENT
PANEL DASH
LABEL**

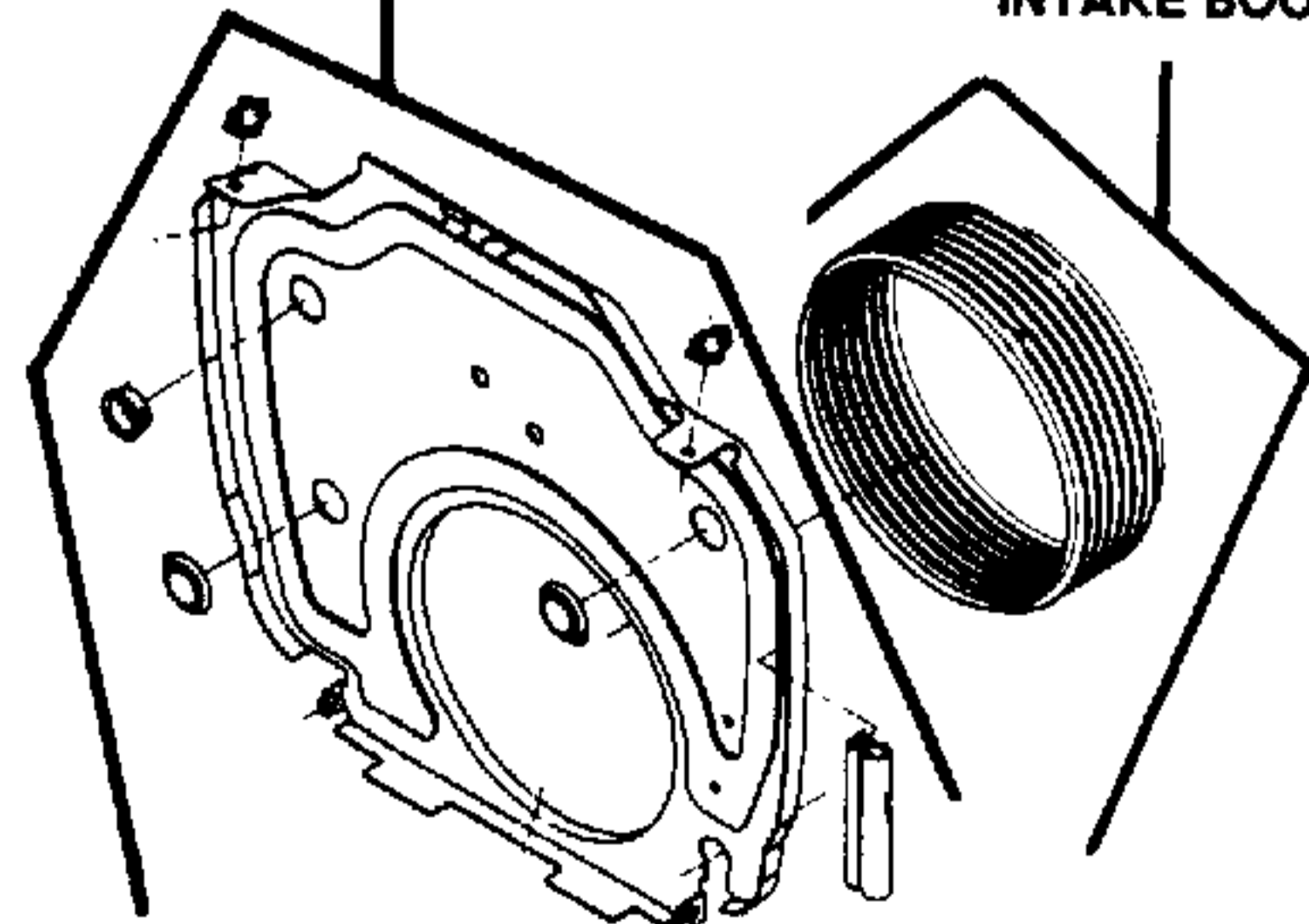
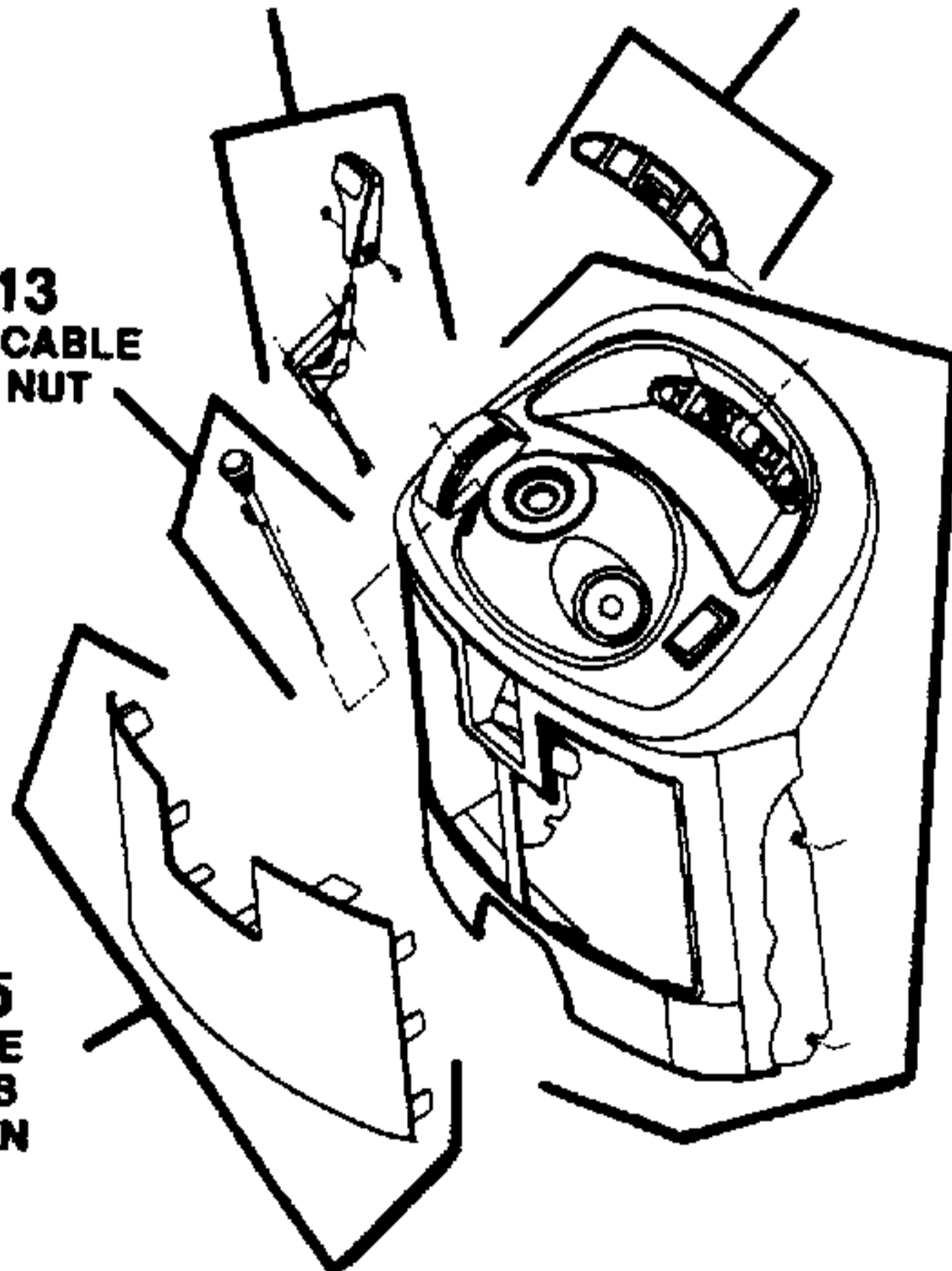
**A-13
CHOKE CABLE
WITH NUT**

**A-11
INSTRUMENT
PANEL**

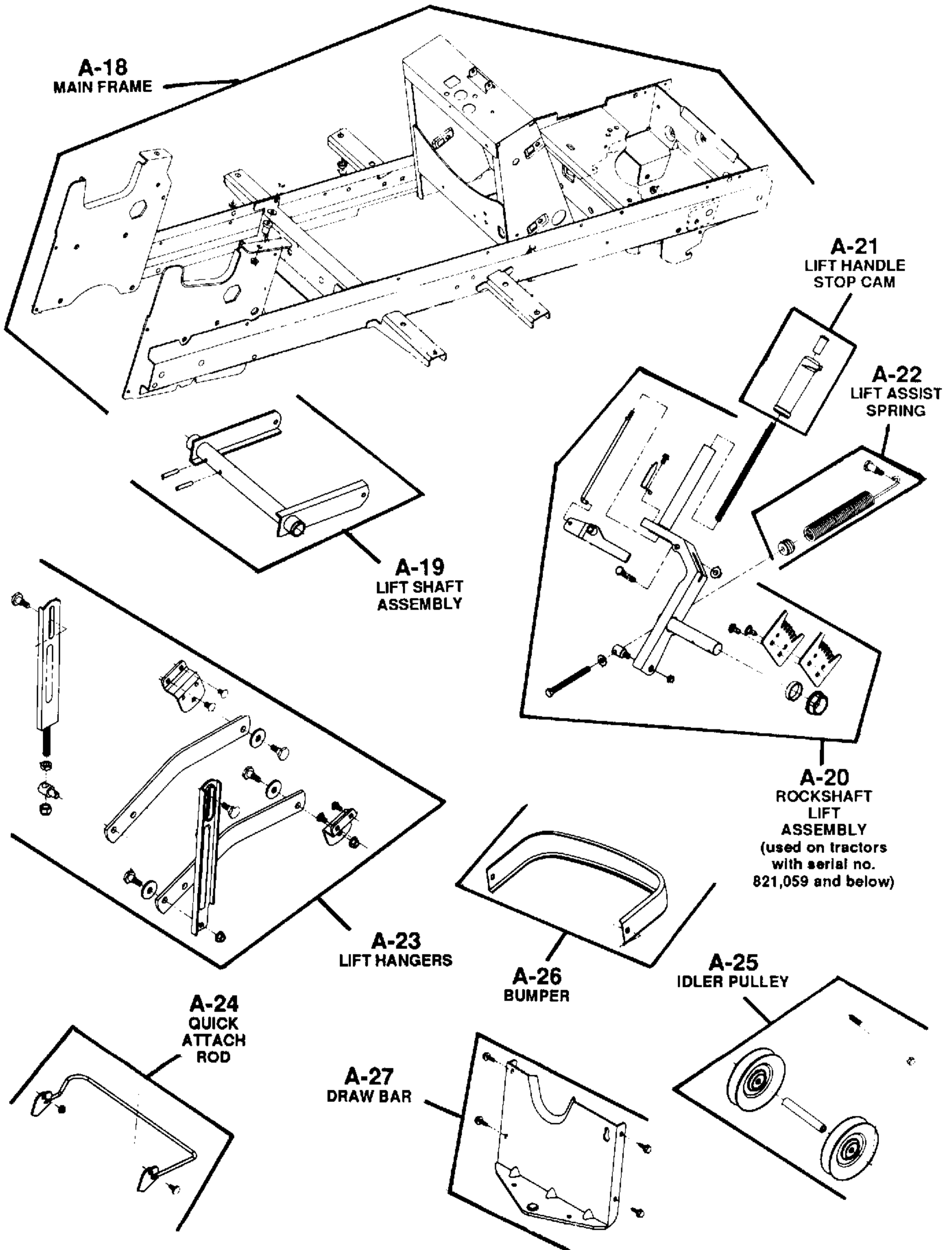
**A-17
BULKHEAD**

**A-16
INTAKE BOOT**

**A-15
INTAKE
GRASS
SCREEN**

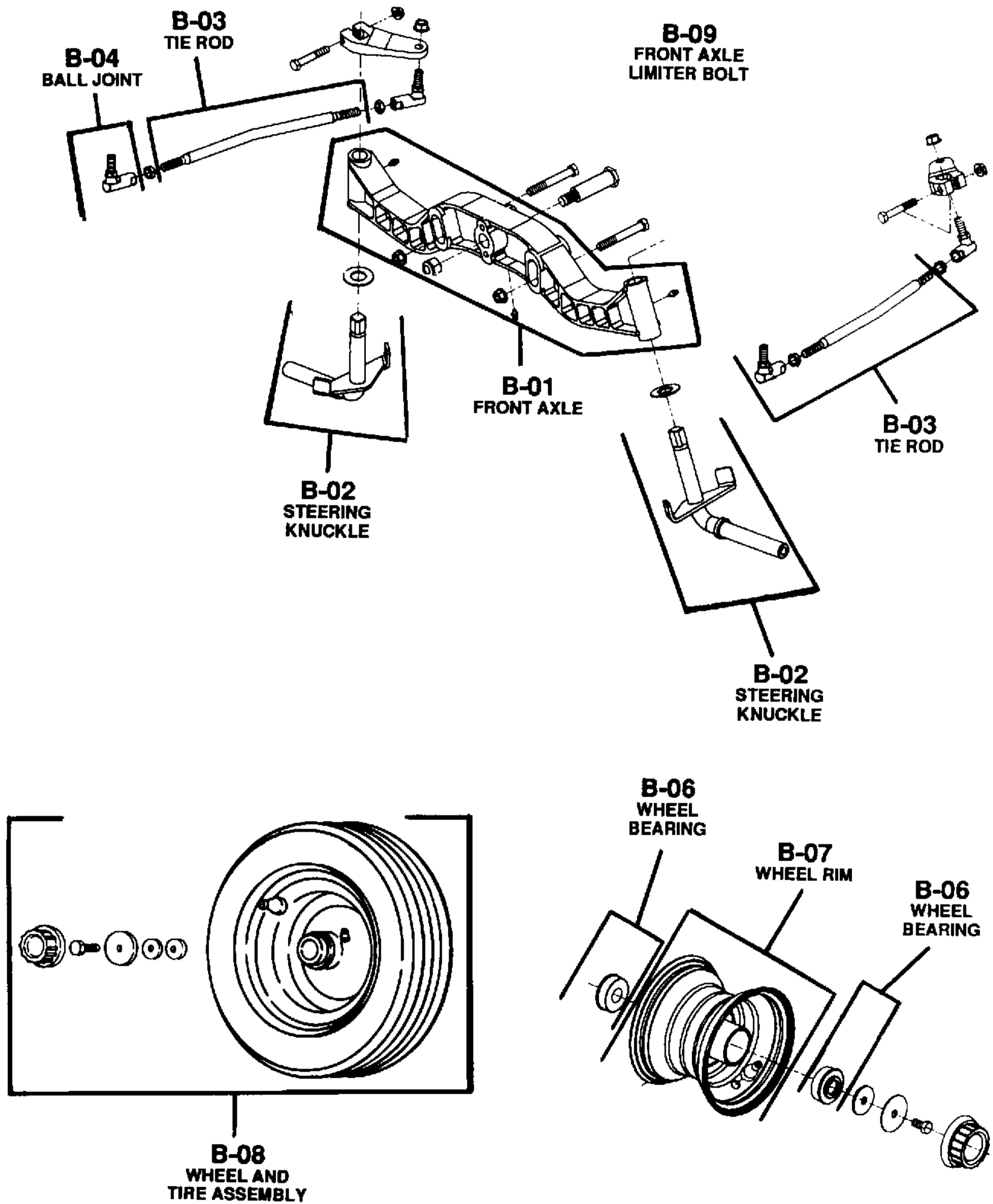


OPERATION NUMBER	OPERATION DESCRIPTION	OPERATION INCLUDES:	SERVICE MANUAL NUMBER	FLAT RATE TIME
A-14	Grille and Housing: Remove/Install or Replace	<ol style="list-style-type: none"> 1. Remove hood (A-01). 2. Remove side panels (A-03). 3. Remove/install or replace grille and housing. 4. Reassemble. 	772-4232	0.5
A-15	Intake Grass Screen: Replace/Install	Replace or reinstall intake grass screen.	772-4232	0.5
A-16	Intake Boot: Remove/Install or Replace	<ol style="list-style-type: none"> 1. Remove engine (D-10). 2. Replace or install intake boot. 3. Reassemble. 	772-4232	1.0
A-17	Bulkhead: Remove/Install or Replace	<ol style="list-style-type: none"> 1. Remove engine (D-10). 2. Replace or install bulkhead. 3. Reassemble. 	772-4232	1.0
A-18	Main Frame: Replace	<ol style="list-style-type: none"> 1. Disconnect all necessary wiring and linkage. 2. Remove hood (A-01), grille and housing (A-14), fender (A-05), engine, steering wheel (C-01), fuel tank (E-01), pedestal assembly, steering assembly (A-11 and C-04) and frame assembly. 3. Replace frame. 4. Reassemble. 5. Make all necessary adjustments. 	772-4232	11.2
A-19	Lift Shaft Assembly: Remove/Install or Replace	<ol style="list-style-type: none"> 1. Remove seat (A-04). 2. Remove fenders (A-05). 3. Remove/install or replace lift shaft assembly. 4. Reassemble. 	772-4232	1.0

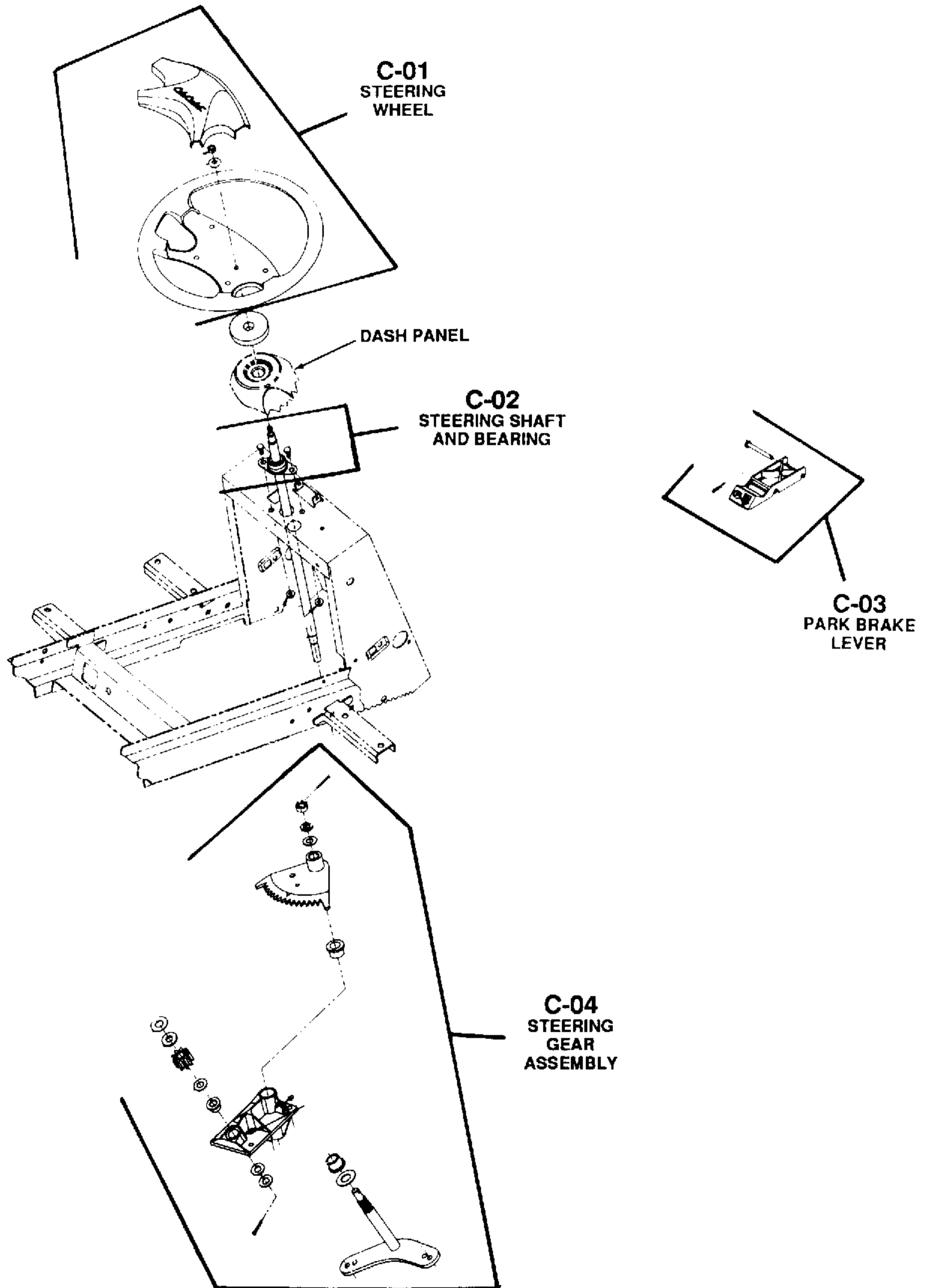


OPERATION NUMBER	OPERATION DESCRIPTION	OPERATION INCLUDES:	SERVICE MANUAL NUMBER	FLAT RATE TIME
A-20	Rockshaft Lift Assembly: Remove/Install or Replace	<ol style="list-style-type: none"> 1. Remove seat (A-04). 2. Remove fenders (A-05). 3. Remove/install or replace rockshaft lift assembly. 4. Reassemble. 	772-4232	1.2
A-21	Lift Handle Stop Cam: Remove/Install or Replace	Remove/install or replace lift handle.	772-4232	0.1
A-22	Lift Assist Spring: Remove/Install or Replace	Remove/install or replace lift assist spring.	772-4232	0.3
A-23	Lift Hangers: Remove/Install or Replace	Remove/install or replace lift hangers left or right.	772-4232	0.3
A-24	Quick Attach Rod: Remove/Install or Replace	Remove/install or replace quick attach rod.	772-4232	0.2
A-25	Idler Pulley: Remove/Install or Replace	Remove/install or replace idler pulley.	772-4232	0.2
A-26	Bumper: Remove/Install or Replace	Remove/install or replace front bumper.	772-4232	0.2
A-27	Draw Bar: Remove/Install or Replace	Remove/install or replace draw bar.	772-4232	0.3

OPERATION NUMBER	OPERATION DESCRIPTION	OPERATION INCLUDES:	SERVICE MANUAL NUMBER	FLAT RATE TIME
B-01	Front Axle Assembly: Remove/Install or Replace	<ol style="list-style-type: none"> 1. Raise tractor. 2. Remove both front wheel assemblies (B-08). 3. Disconnect and remove both steering knuckles (B-02). 4. Disconnect tie rod arm (B-03). 5. Remove/install or replace front axle assembly. 6. Reassemble. 7. Adjust toe-in (B-05). 8. Lower tractor. 	772-4232	0.1
B-02	Steering Knuckle: Remove/Install or Replace	<ol style="list-style-type: none"> 1. Raise tractor. 2. Remove wheel assembly (B-08). 3. Disconnect steering knuckle from ball joint and remove from axle. 4. Remove/install or replace steering knuckle. 5. Reassemble. 6. Adjust toe-in (B-05). 7. Lower tractor. 	772-4232	0.4
B-03	Tie Rod: Remove/Install or Replace	<ol style="list-style-type: none"> 1. Raise tractor. 2. Disconnect from steering knuckle. 3. Remove ball joints (B-04). 4. Remove/install or replace tie rod. 5. Reassemble. 6. Set toe-in (B-05). 7. Lower tractor. 	772-4232	0.4
B-04	Ball Joints: Remove/Install or Replace	<ol style="list-style-type: none"> 1. Raise tractor. 2. Remove/install or replace ball joint. 3. Adjust toe-in (B-05). 4. Lower tractor. 	772-4232	0.3
B-05	Toe-In Adjust:	<ol style="list-style-type: none"> 1. Raise tractor. 2. Make all necessary adjustments. 3. Lower tractor. 	772-4232	0.3



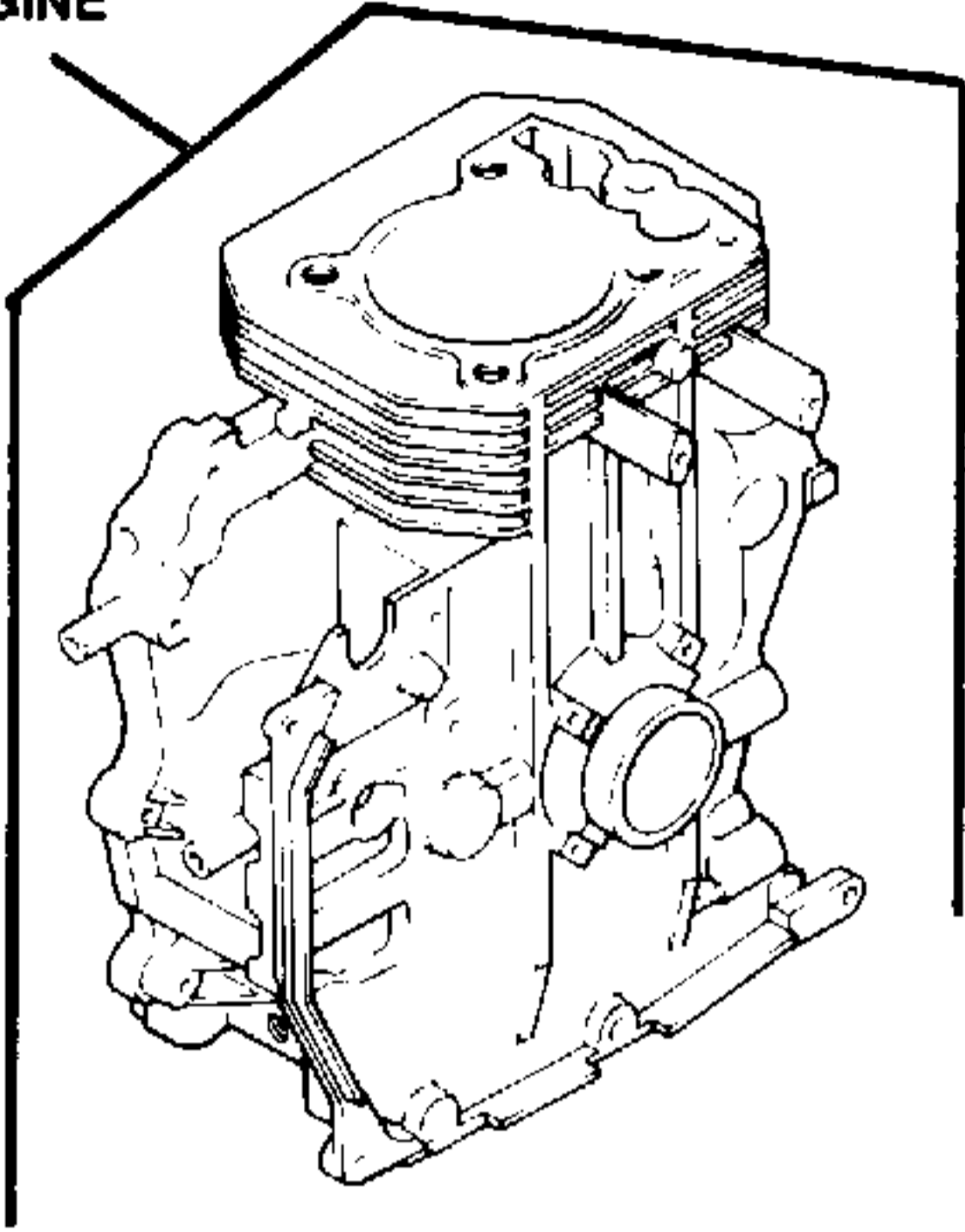
OPERATION NUMBER	OPERATION DESCRIPTION	OPERATION INCLUDES:	SERVICE MANUAL NUMBER	FLAT RATE TIME
B-06	Wheel Bearings: Remove/Install or Replace (one wheel only)	<ol style="list-style-type: none"> 1. Raise tractor. 2. Remove wheel and tire assembly (B-08). 3. Remove/install or replace wheel bearing(s). 4. Reassemble. 5. Lower tractor. 	772-4232	0.3
B-07	Wheel Rim: Remove/Install or Replace (one side only)	<ol style="list-style-type: none"> 1. Raise tractor. 2. Remove wheel and tire assembly (B-08). 3. Disassemble tire from rim. 4. Remove and replace rim on tire. 5. Reassemble. 6. Lower tractor. 	772-4232	0.3
B-08	Wheel and Tire Assembly: Remove/Install or Replace	<ol style="list-style-type: none"> 1. Raise tractor. 2. Remove and replace wheel and tire assembly. 3. Install on tractor. 4. Lower tractor. 	772-4232	0.1
B-09	Front Axle Limiter Bolt: Adjust	<ol style="list-style-type: none"> 1. Raise tractor. 2. Adjust limiter bolt. 3. Lower tractor. 	772-4232	0.3



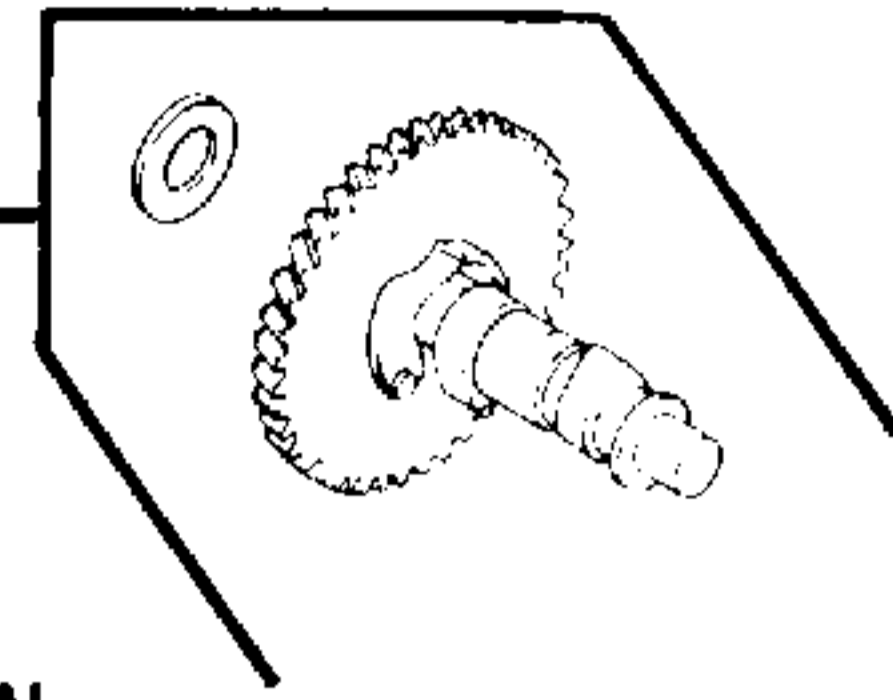
OPERATION NUMBER	OPERATION DESCRIPTION	OPERATION INCLUDES:	SERVICE MANUAL NUMBER	FLAT RATE TIME
C-01	Steering Wheel: Remove/Install or Replace	<ol style="list-style-type: none"> 1. Remove steering wheel cap. 2. Remove hex nut and flat washer from upper steering shaft. 3. Remove/install or replace steering wheel. 4. Reassemble. 	772-4232	0.2
C-02	Steering Shaft and Bearing: Remove/Install or Replace	<ol style="list-style-type: none"> 1. Remove side panels (A-03). 2. Remove battery (F-02), battery tray assembly and intake baffles. 3. Remove steering wheel (C-01). 4. Remove/install or replace steering shaft and/or bearing. 5. Reassemble. 	772-4232	0.4
C-03	Park Brake Lever: Remove/Install or Replace	<ol style="list-style-type: none"> 1. Remove side panels (A-03). 2. Remove battery (F-02). 3. Remove steering wheel (C-01) and shaft (C-02). 4. Remove/install or replace park brake lever. 5. Reassemble. 	772-4232	0.6
C-04	Steering Gear Assembly: Remove/Install or Replace	<ol style="list-style-type: none"> 1. Remove side panels (A-03). 2. Remove steering shaft (C-02). 3. Remove tie rod (B-03). 4. Remove/install or replace steering gear assembly. 5. Reassemble. 	772-4232	1.0

OPERATION NUMBER	OPERATION DESCRIPTION	OPERATION INCLUDES:	SERVICE MANUAL NUMBER	FLAT RATE TIME
D-10	Engine: Remove/Install or Replace	<ol style="list-style-type: none"> 1. Remove hood (A-01)) 2. Remove side panels (A-03) 3. Remove grille and housing (A-14) 4. Disconnect all controls and connections. 5. Remove/install or replace engine. 6. Reconnect all controls and connections. 7. Reassemble tractor. 8. Adjust all controls. 	772-4232	1.0
D-15	Short Block: Remove/Install or Replace	<ol style="list-style-type: none"> 1. Remove hood (A-01). 2. Remove side panels (A-03). 3. Remove grille and housing (A-14). 4. Disconnect all controls and connections. 5. Remove engine (D-10). 6. Disassemble engine. 7. Remove/install or replace short block. 8. Reassemble engine. 9. Reconnect all controls and connections. 10. Reassemble tractor. 11. Adjust all controls. 	772-4232 TP-2402	3.8
D-18	Miniblock: Remove/Install or Replace	<ol style="list-style-type: none"> 1. Remove hood (A-01). 2. Remove side panels (A-03). 3. Remove grille and housing (A-14). 4. Disconnect all controls and connections. 5. Remove engine (D-10). 6. Completely disassemble engine. 7. Remove/install or replace miniblock. 8. Reassemble engine.. 9. Reconnect all controls and connections. 10. Reassemble tractor. 11. Adjust all controls. 	772-4232 TP-2402	4.0

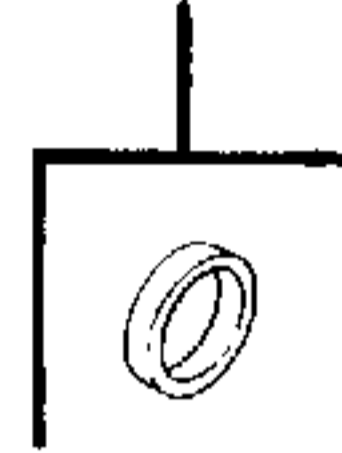
D-10, D-15, D-18,
D-20 OR D-25
ENGINE



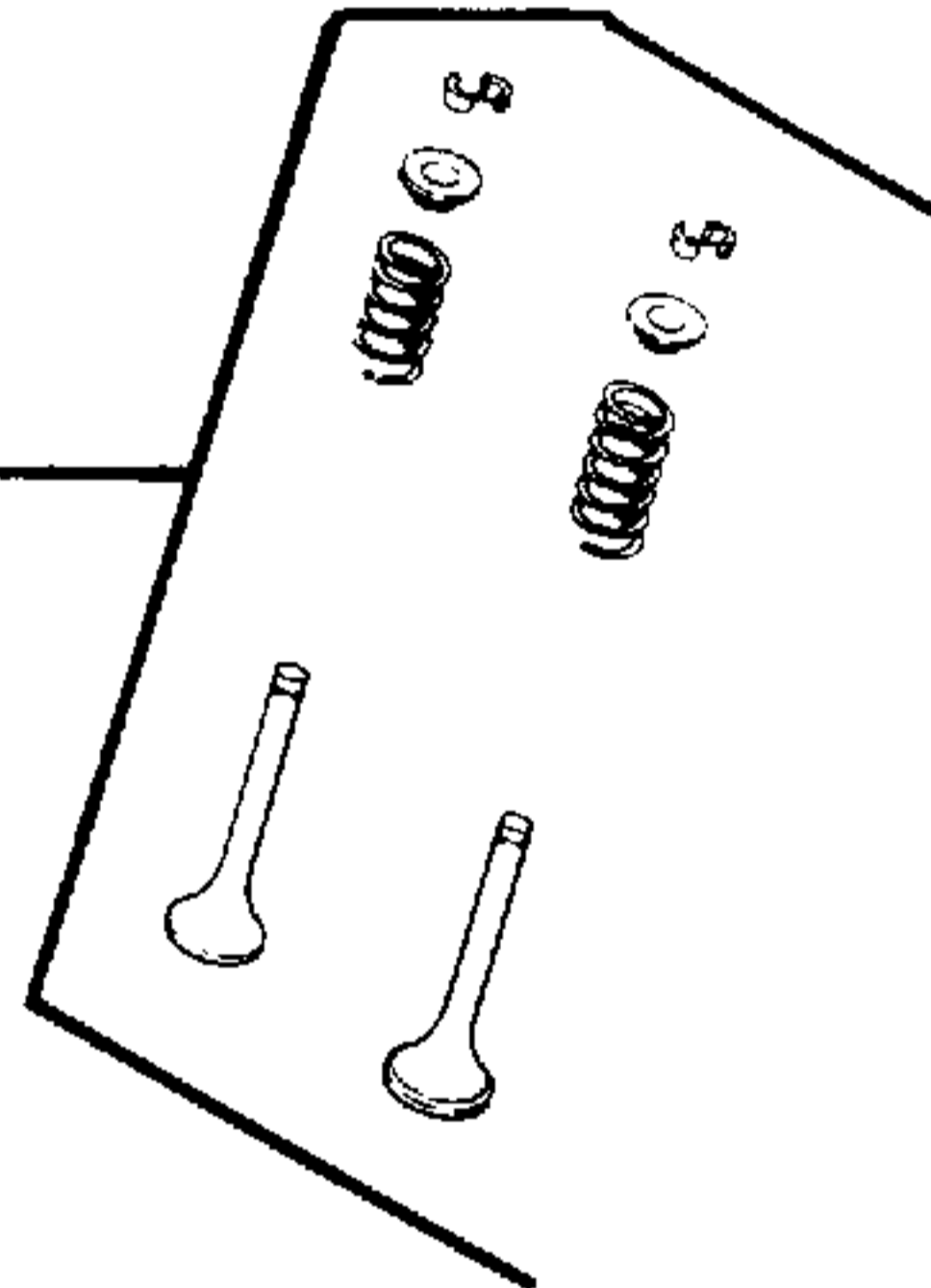
D-28
CAMSHAFT



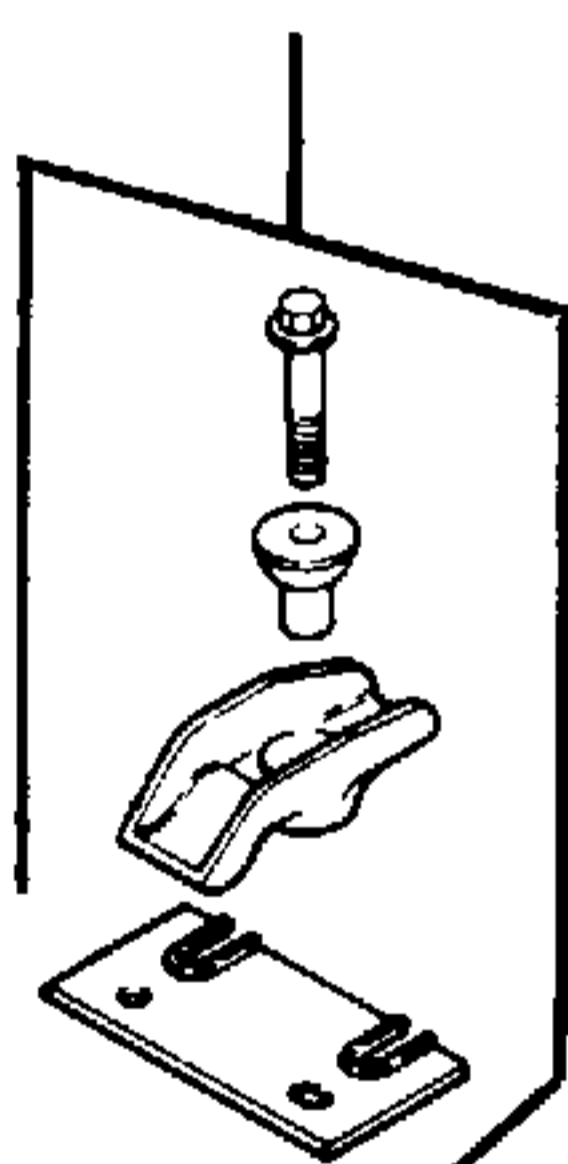
D-31
CRANKSHAFT SEAL
(FLYWHEEL END)



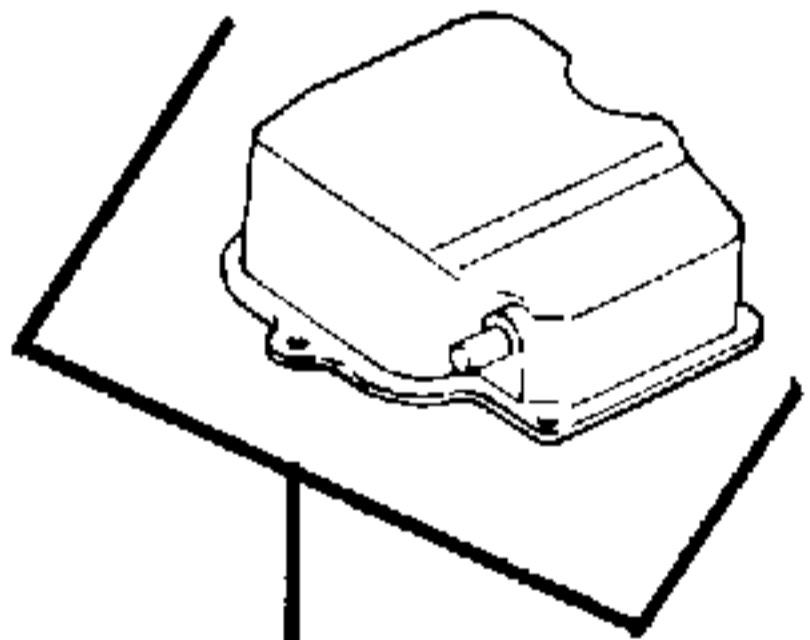
D-35
VALVE GRIND



D-38
ROCKER ARM

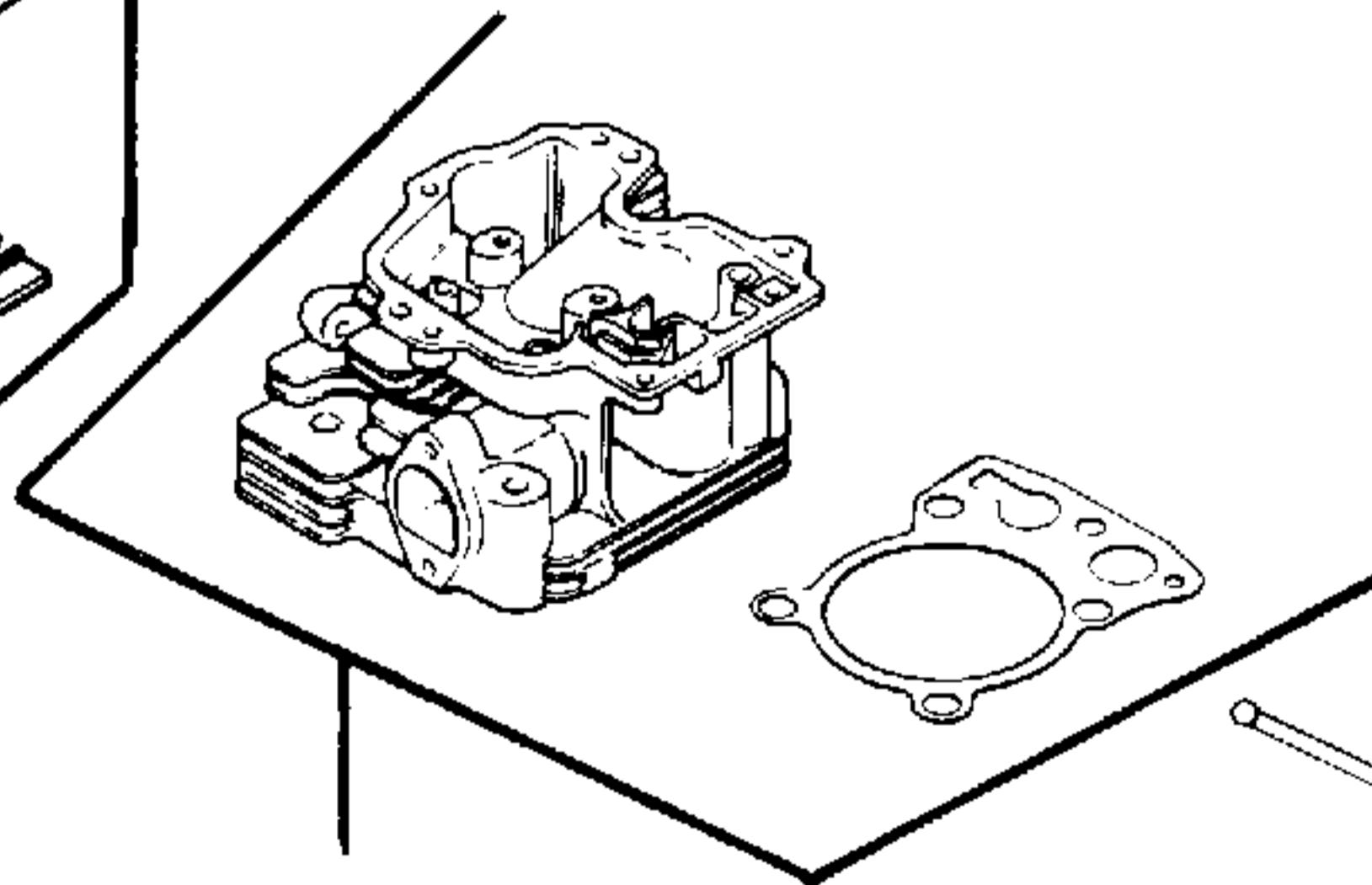


D-37
ROCKER COVER
AND/OR
GASKET

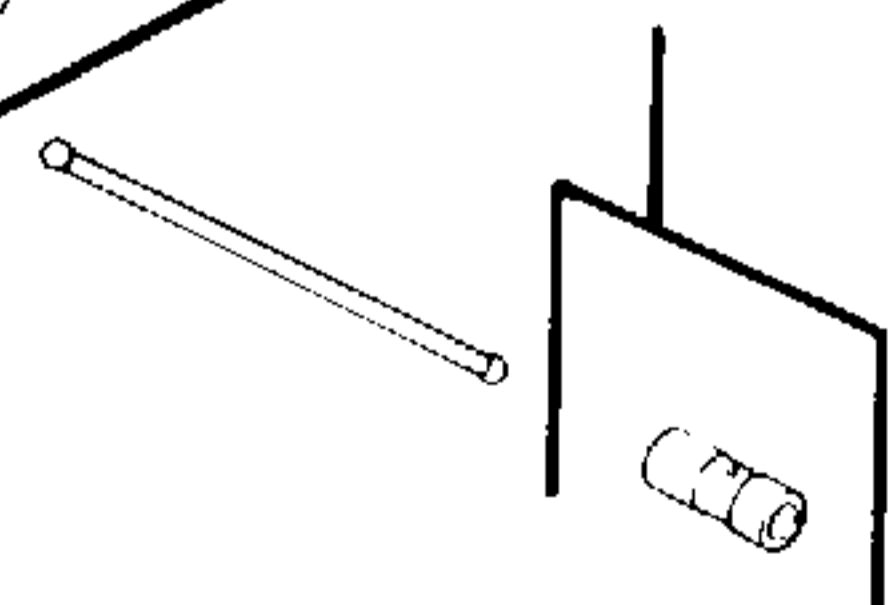


D-37A
BREATHER

D-40 OR D-43
CYLINDER HEAD
ASSEMBLY
AND/OR
GASKET



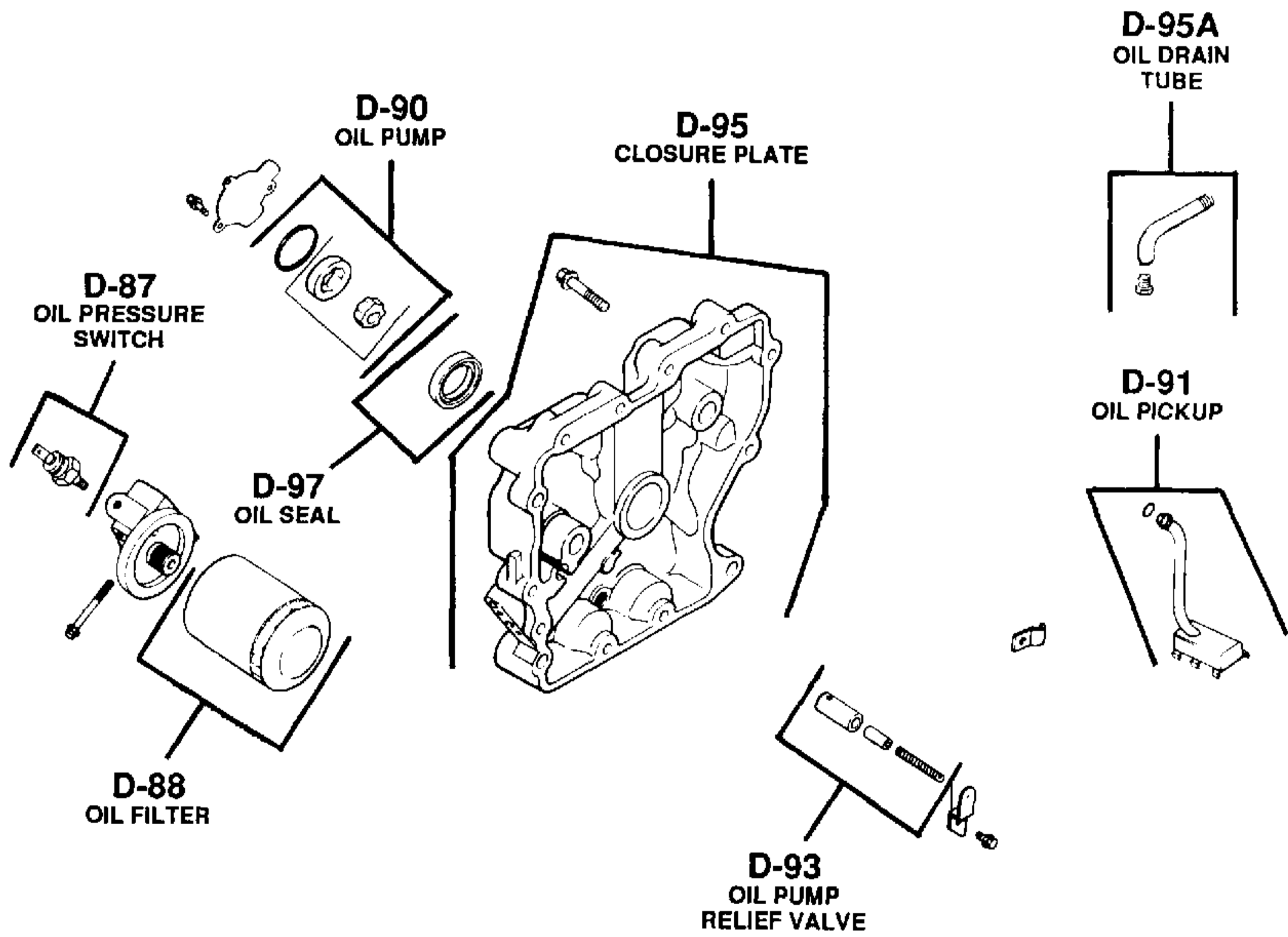
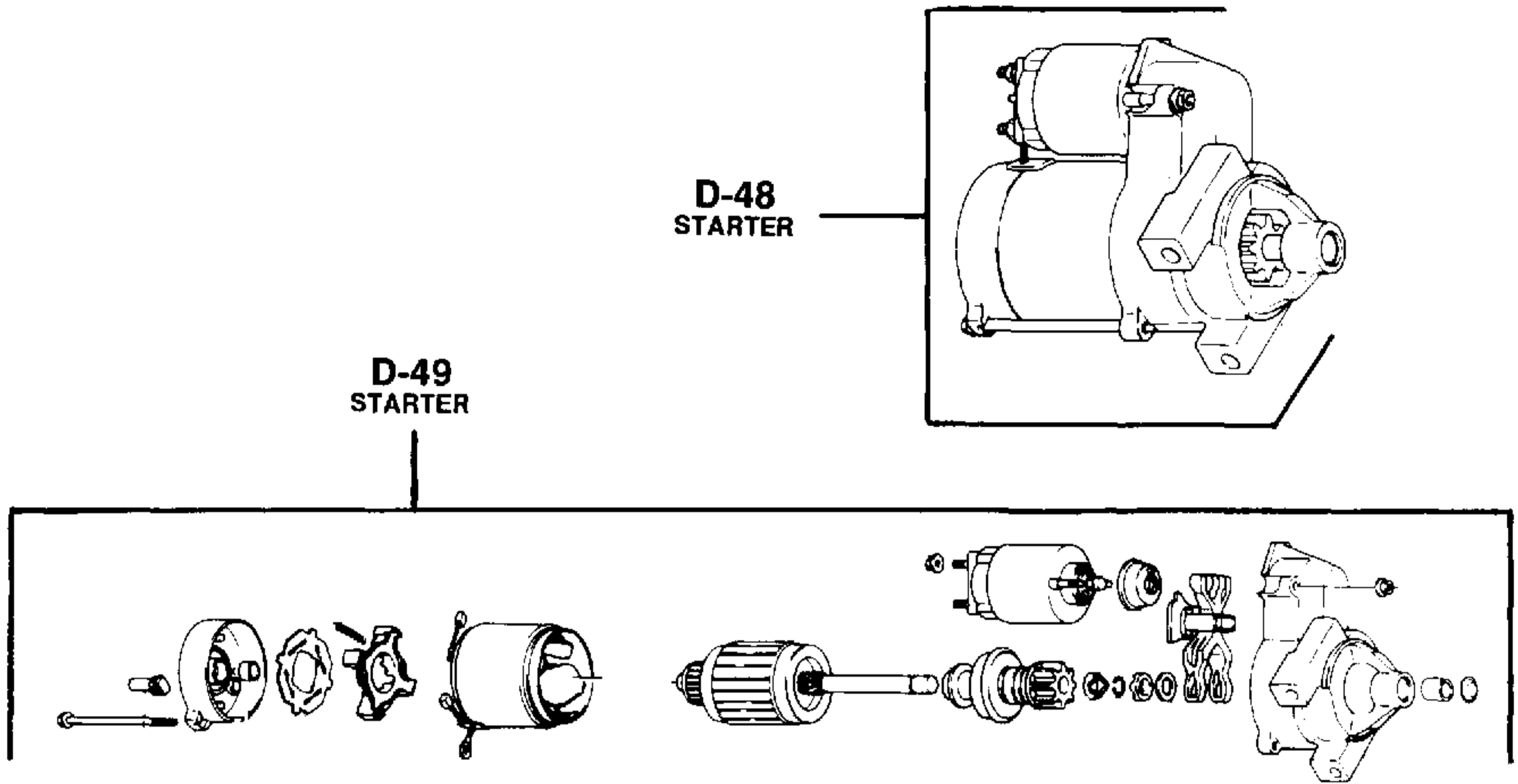
D-44
VALVE LIFTER



OPERATION NUMBER	OPERATION DESCRIPTION	OPERATION INCLUDES:	SERVICE MANUAL NUMBER	FLAT RATE TIME
D-20	Engine: Overhaul (Major)	<ol style="list-style-type: none"> 1. Remove hood (A-01). 2. Remove side panels (A-03). 3. Remove grille and housing (A-14). 4. Disconnect all controls and connections. 5. Remove engine (D-10). 6. Disassemble engine. 7. Remove/install or replace pistons and rings, piston pins, all engine bearings and seals, complete valve train and valve seats. 8. Reassemble engine. 9. Torque cylinder heads. 10. Make all necessary adjustments. 11. Reinstall engine. 12. Reconnect all controls and connections. 13. Reassemble tractor. 14. Adjust all controls. 	772-4232 TP-2402	6.5
D-25	Engine: Overhaul (Minor)	<ol style="list-style-type: none"> 1. Remove hood (A-01). 2. Remove side panels (A-03). 3. Remove grille and housing (A-14). 4. Disconnect all controls and connections. 5. Remove engine (D-10). 6. Remove from engine: cylinder head, piston and rings with rod and valves. 7. Reface valves and valve seats. 8. Reassemble engine. 9. Reassemble tractor. 10. Adjust all controls. 	772-4232 TP-2402	5.5
D-28	Camshaft: Remove/Install or Replace	<ol style="list-style-type: none"> 1. Remove engine (D-10). 2. Disassemble engine. 3. Remove/install or replace camshaft. 4. Reassemble engine. 5. Adjust all controls. 	772-4232 TP-2402	3.0

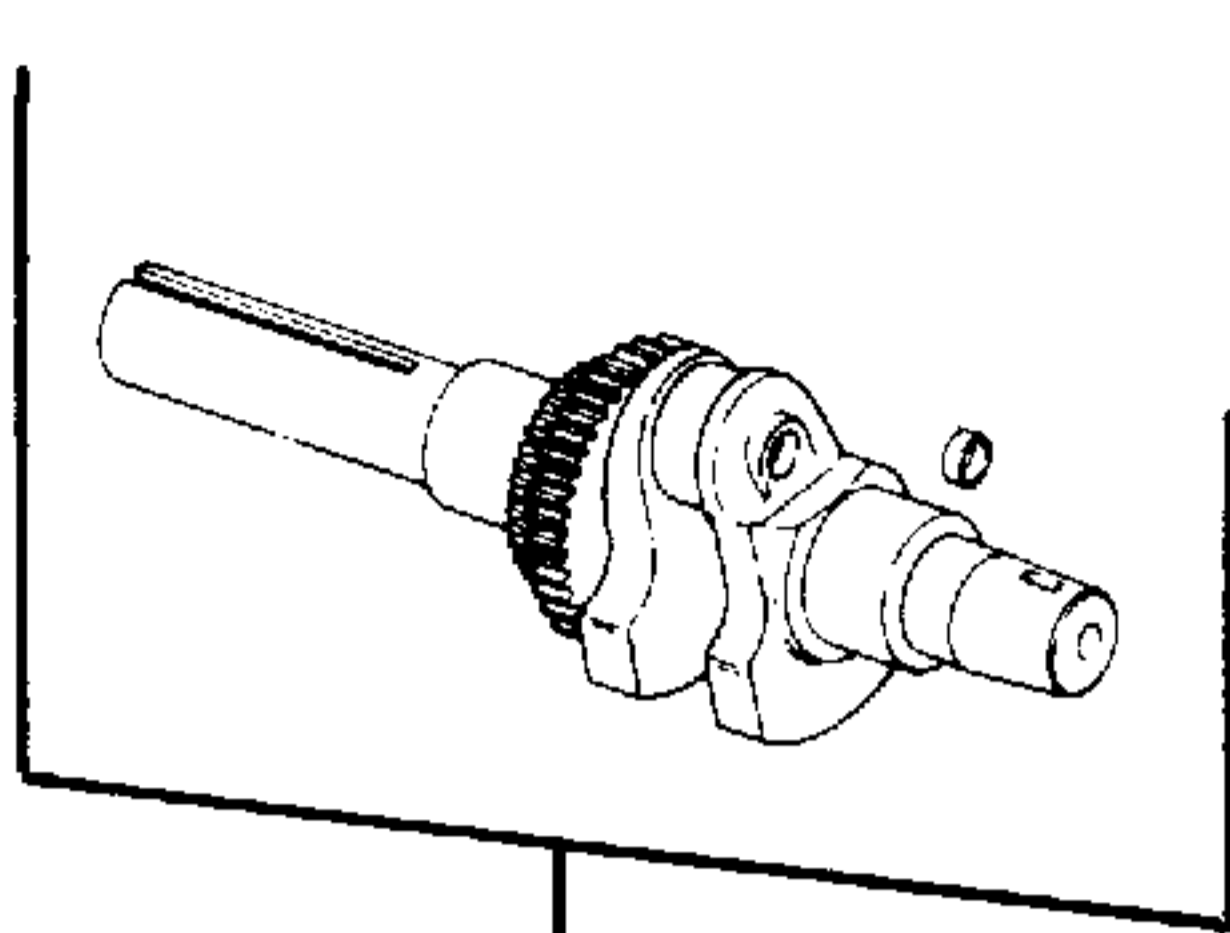
OPERATION NUMBER	OPERATION DESCRIPTION	OPERATION INCLUDES:	SERVICE MANUAL NUMBER	FLAT RATE TIME
D-31	Crankshaft Seal, Flywheel End: Remove/Install or Replace	<ol style="list-style-type: none"> 1. Remove engine (D-10). 2. Remove flywheel assembly (D-207). 3. Remove stator (D-205). 4. Remove/install or replace seal. 5. Reassemble. 6. Adjust all controls. 	772-4232 TP-2402	3.0
D-35	Valve Grind Complete: Remove/Install or Replace	<ol style="list-style-type: none"> 1. Remove hood (A-01). 2. Remove side panels (A-03). 3. Remove cylinder head (D-40) and disassemble. 4. Clean carbon from head, valves and valve guides. 5. Test valve springs or remove/install or replace. 6. Reface valves and valve seats or remove/install or replace. 7. Reassemble. 8. Adjust all controls. 	772-4232 TP-2402	1.2
D-37	Rocker Cover and/or Gasket: Remove/Install or Replace	<ol style="list-style-type: none"> 1. Remove hood (A-01). 2. Remove side panel (A-03). 3. Remove/install or replace rocker cover and/or gasket. 4. Reassemble. 	772-4232 TP-2402	0.2
D-37A	Breather: Remove/Install or Replace	<ol style="list-style-type: none"> 1. Raise hood (A-01). 2. Remove side panel (A-03). 3. Remove rocker cover (D-37). 4. Remove/install or replace breather. 5. Reassemble. 	772-4232 TP-2402	1.0
D-38	Rocker Arm: Remove/Install or Replace	<ol style="list-style-type: none"> 1. Remove hood (A-10). 2. Remove side panel (A-05). 3. Remove rocker cover (D-37). 4. Remove/install or replace rocker arm. 5. Reassemble. 	772-4232 TP-2402	0.3

OPERATION NUMBER	OPERATION DESCRIPTION	OPERATION INCLUDES:	SERVICE MANUAL NUMBER	FLAT RATE TIME
D-40	Cylinder Head Assembly and/or Gasket: Remove/Install or Replace	<ol style="list-style-type: none"> 1. Remove hood (A-01). 2. Remove side panel (A-03). 3. Remove rocker cover (D-37). 4. Remove/install or replace cylinder head assembly and/or gasket. 5. Reassemble. 	772-4232 TP-2402	1.2
D-43	Cylinder Head Assembly: Replace	<ol style="list-style-type: none"> 1. Raise hood (A-01). 2. Remove side panel (A-03). 3. Remove rocker cover (D-37). 4. Remove rocker arm (D-38). 5. Remove valve spring keepers, valve spring retainers, valve springs, valve spring caps and intake and exhaust valves. 6. Replace cylinder head. 7. Reassemble. 	772-4232 TP-2402	1.2
D-44	Starter Assembly: Remove/Install or Replace	<ol style="list-style-type: none"> 1. Raise hood (A-01). 2. Remove rocker cover (D-37). 3. Remove rocker arms and push rods. 4. Remove/install or replace valve lifters. 5. Reassemble. 	772-4232 TP-2402	0.5
D-48	Starter Assembly: Remove/Install or Replace	<ol style="list-style-type: none"> 1. Raise hood (A-01). 2. Remove side panels (A-03). 3. Disconnect battery (F-02). 4. Remove/install or replace starter assembly. 5. Reassemble. 	772-4232 TP-2402	0.6
D-49	Starter: Overhaul	<ol style="list-style-type: none"> 1. Raise hood (A-01). 2. Remove side panels (A-03). 3. Disconnect battery (F-02). 4. Remove starter assembly (D-48). 5. Disassemble starter. 6. Remove/install or replace worn or broken parts. 7. Reassemble. 	772-4232 TP-2402	1.2



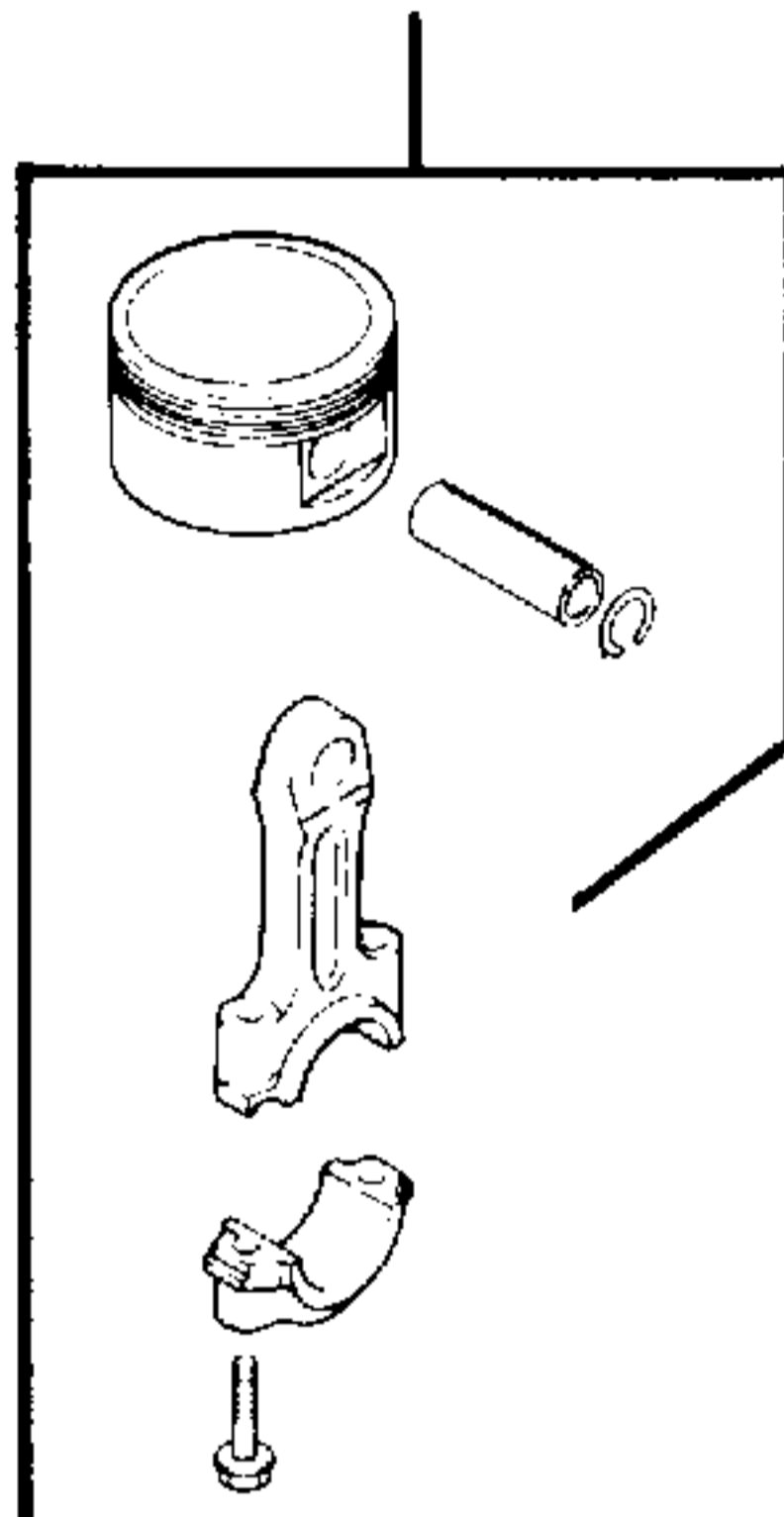
OPERATION NUMBER	OPERATION DESCRIPTION	OPERATION INCLUDES:	SERVICE MANUAL NUMBER	FLAT RATE TIME
D-51	Brush Kit: Remove/Install or Replace	<ol style="list-style-type: none"> 1. Raise hood (A-01). 2. Remove side panels (A-03). 3. Disconnect battery (F-02). 4. Remove starter (D-48) and disassemble. 5. Remove/install or replace brush kit. 6. Reassemble. 	772-4232 TP-2402	1.2
D-52	Drive Kit: Remove/Install or Replace	<ol style="list-style-type: none"> 1. Raise hood (A-01). 2. Remove side panels (A-03). 3. Disconnect battery (F-02). 4. Remove starter. 5. Remove/install or replace drive kit. 6. Reassemble. 	772-4232 TP-2402	1.2
D-87	Oil Pressure Switch: Remove/Install or Replace	<ol style="list-style-type: none"> 1. Remove hood (A-01). 2. Remove/install or replace oil pressure switch. 3. Reassemble. 	772-4232 TP-2402	0.6
D-88	Oil Filter: Remove/Install or Replace	<ol style="list-style-type: none"> 1. Raise hood (A-01). 2. Remove side panel (A-03). 3. Remove/install or replace oil filter. 4. Reassemble. 	772-4232 TP-2402	0.1
D-90	Oil Pump Assembly: Remove/Install or Replace	<ol style="list-style-type: none"> 1. Remove engine (D-10). 2. Remove PTO clutch (M-01). 3. Remove muffler (D-170). 4. Remove closure plate (D-95). 5. Remove/install or replace oil pump assembly. 6. Reassemble. 	772-4232 TP-2402	2.3
D-91	Oil Pickup: Remove/Install or Replace	<ol style="list-style-type: none"> 1. Remove engine (D-10). 2. Remove PTO clutch (M-01). 3. Remove muffler (D-170). 4. Remove closure plate (D-95). 5. Remove/install or replace oil pickup. 6. Reassemble. 	772-4232 TP-2402	2.3

OPERATION NUMBER	OPERATION DESCRIPTION	OPERATION INCLUDES:	SERVICE MANUAL NUMBER	FLAT RATE TIME
D-93	Oil Pump Relief Valve: Remove/Install or Replace	<ol style="list-style-type: none"> 1. Remove engine (D-10). 2. Remove PTO clutch (M-01). 3. Remove muffler (D-170). 4. Remove closure plate (D-95). 5. Remove/install or replace relief valve. 6. Reassemble. 	772-4232 TP-2402	2.0
D-95	Closure Plate: Remove/Install or Replace	<ol style="list-style-type: none"> 1. Remove engine (D-10). 2. Remove PTO clutch (M-01). 3. Remove muffler (D-170). 4. Remove/install or replace closure plate. 5. Reassemble. 	772-4232 TP-2402	2.0
D-95A	Drain Tube: Remove/Install or Replace	<ol style="list-style-type: none"> 1. Raise hood (A-01). 2. Remove side panel (A-03). 3. Remove/install or replace drain tube. 4. Reassemble. 	772-4232 TP-2402	0.3
D-97	Oil Seal: Remove/Install or Replace	<ol style="list-style-type: none"> 1. Remove engine (D-10). 2. Remove PTO clutch (M-01). 3. Remove muffler (D-170). 4. Remove closure plate (D-95). 5. Remove/install or replace oil seal. 6. Reassemble. 	772-4232 TP-2402	2.2
D-110	Balance Shaft: Remove/Install or Replace	<ol style="list-style-type: none"> 1. Remove engine (D-10). 2. Disassemble engine. 3. Remove/install or replace balance shaft. 4. Reassemble. 5. Adjust all controls. 	772-4232 TP-2402	3.0
D-120	Governor Gear Assembly and/or Governor Cross Shaft: Remove/Install or Replace	<ol style="list-style-type: none"> 1. Remove engine (D-10). 2. Remove muffler (D-170). 3. Remove closure plate (D-95). 4. Remove/install or replace governor gear assembly or governor cross shaft. 5. Reassemble. 6. Adjust engine controls (D-230) and all controls. 	772-4232 TP-2402	2.5

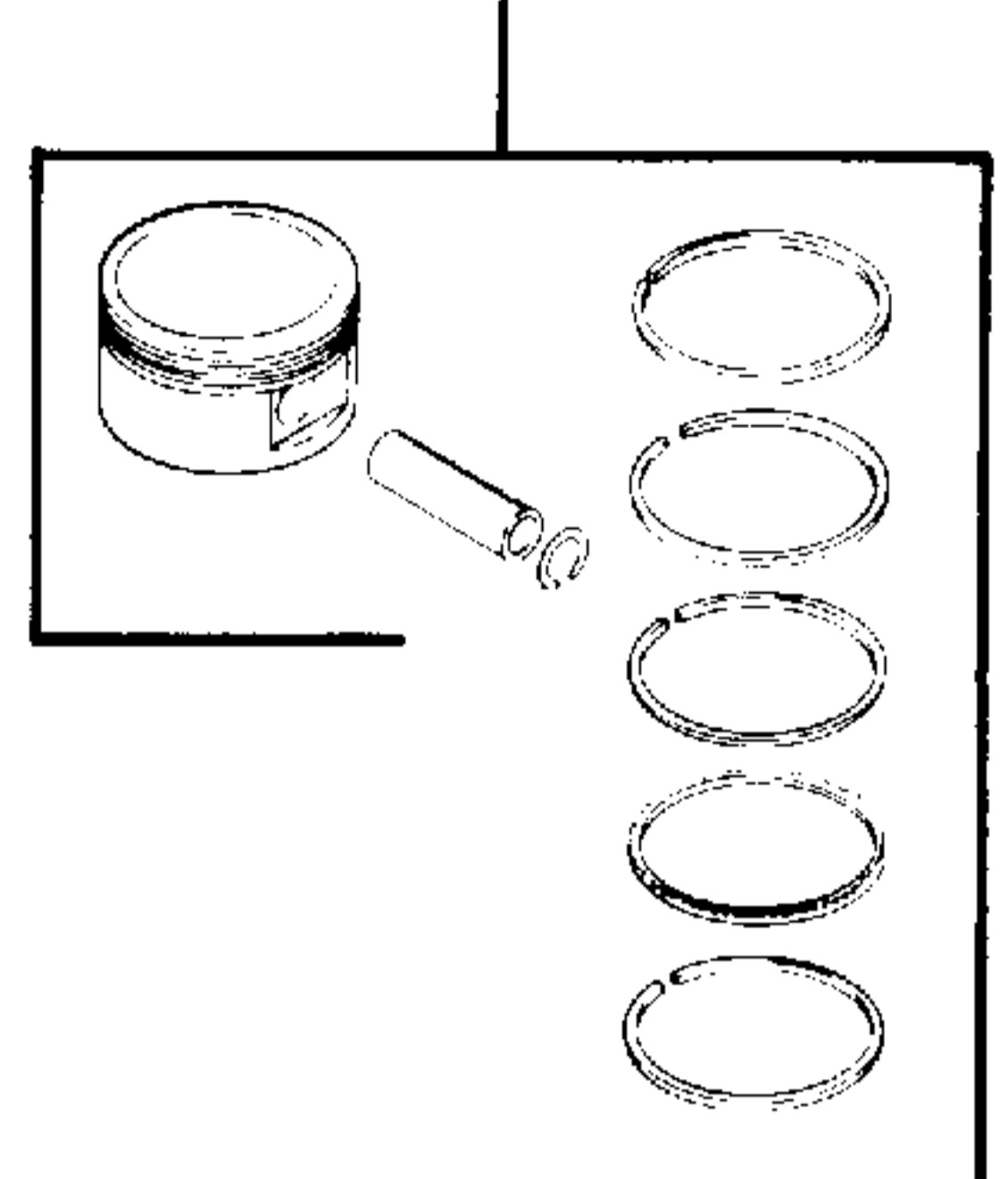


D-130
CRANKSHAFT

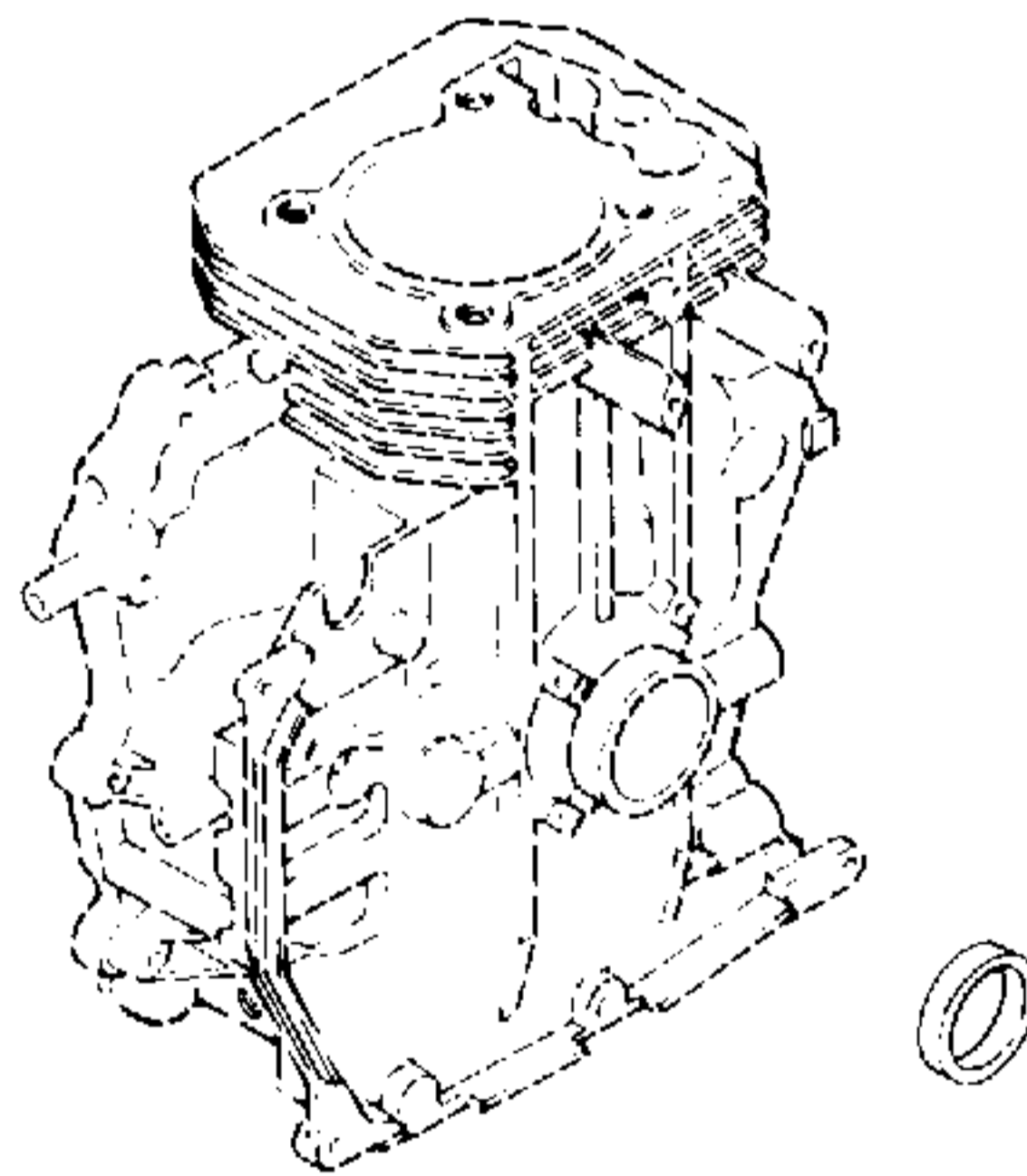
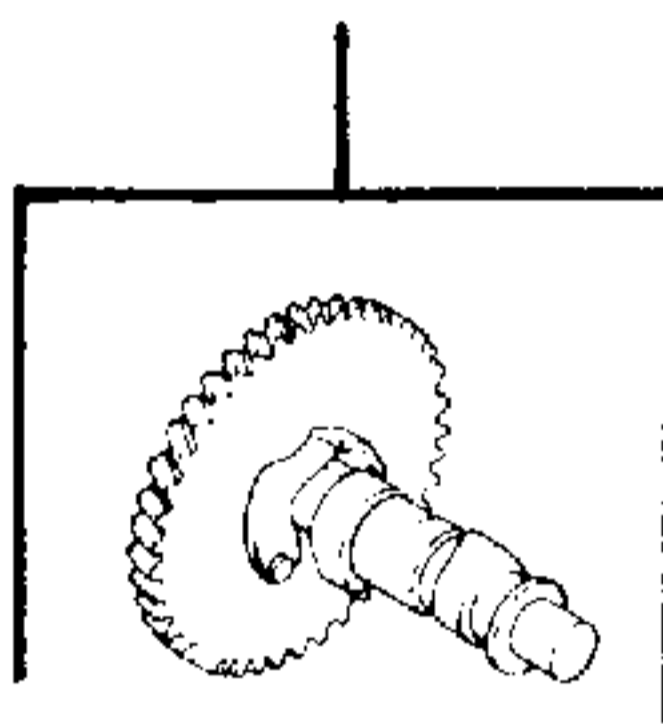
D-135
PISTON AND
CONNECTING ROD



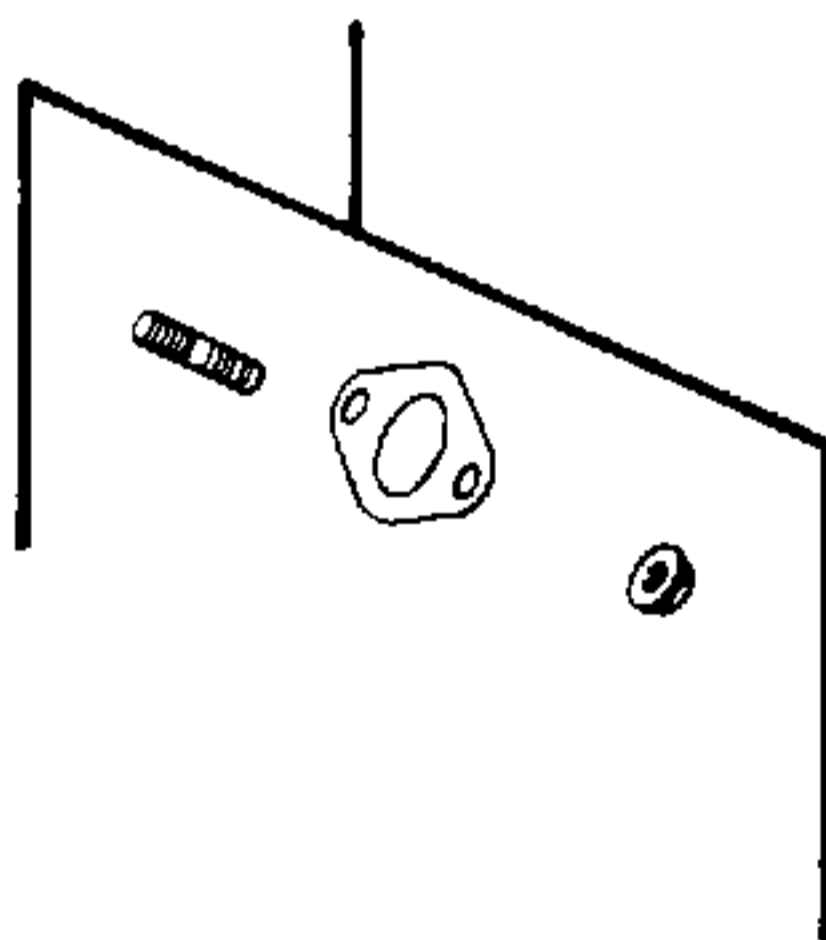
D-137
PISTON AND RINGS



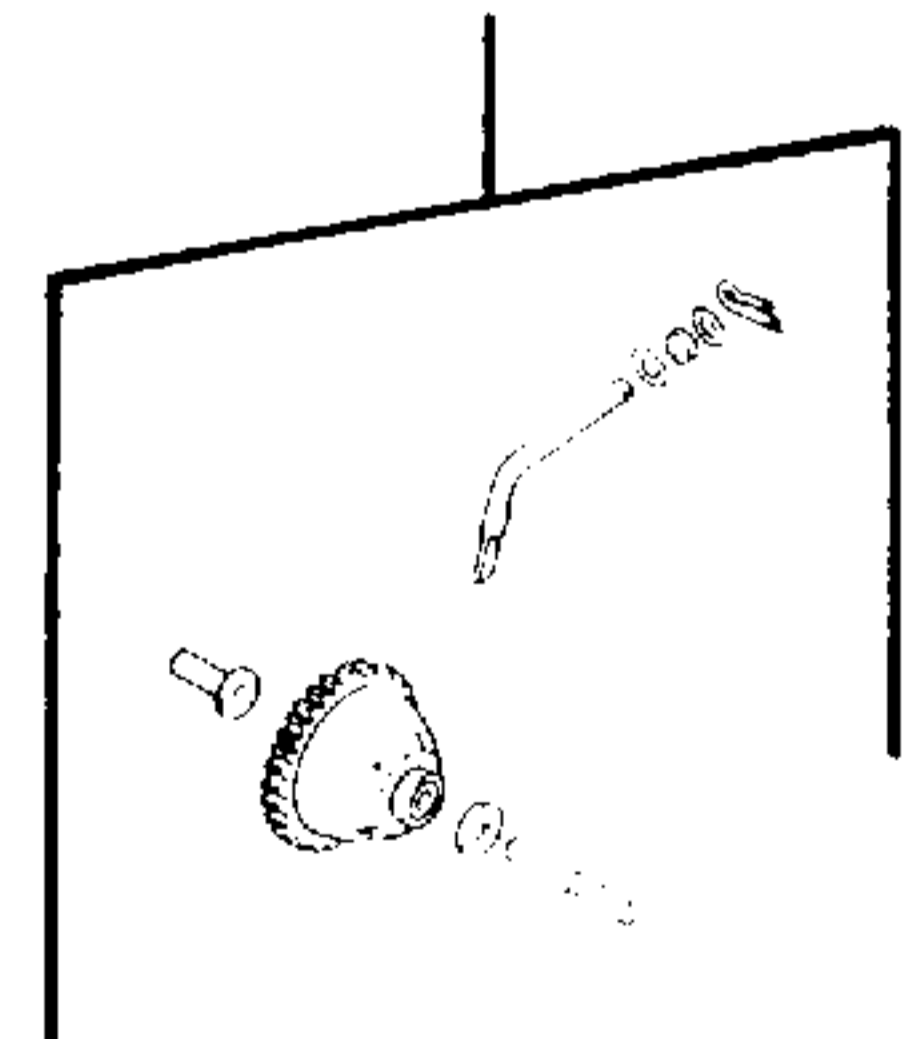
D-110
BALANCE SHAFT



D-160
EXHAUST GASKET

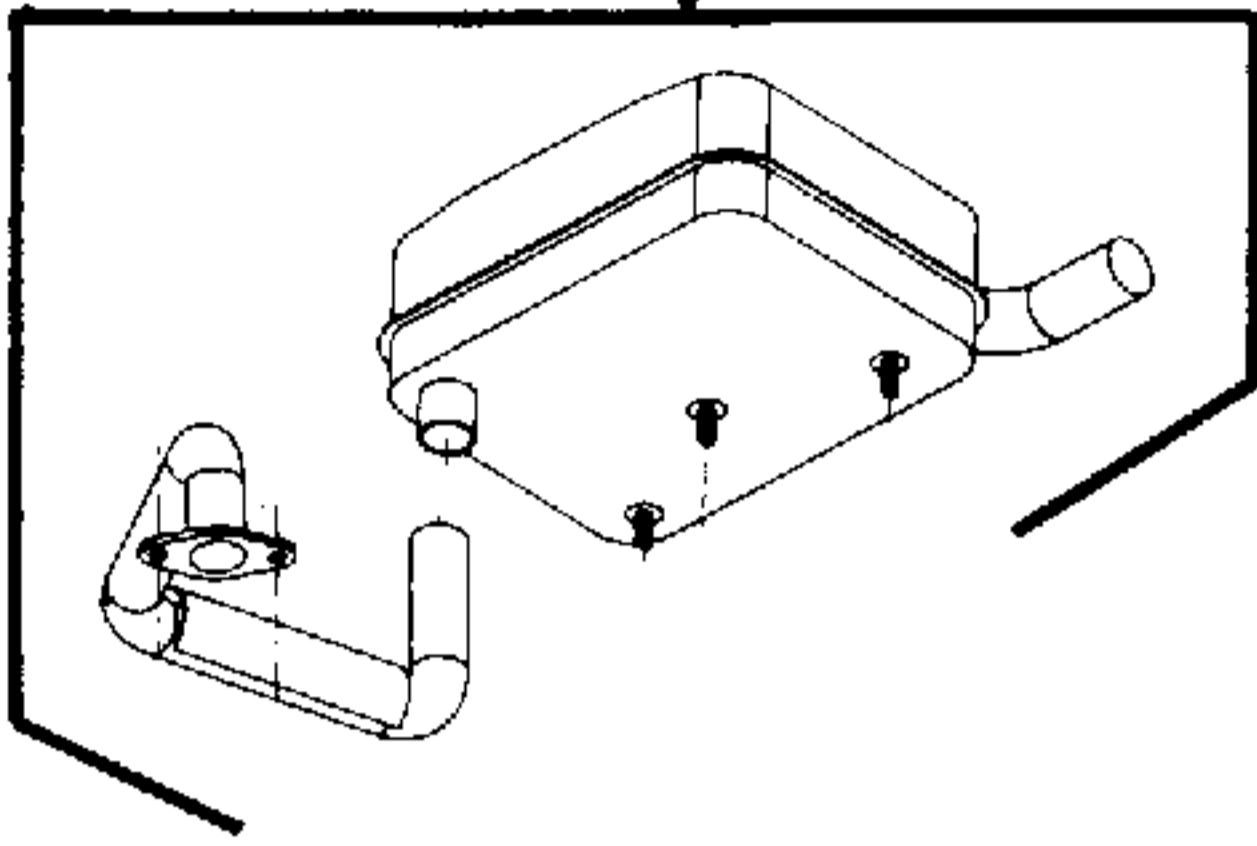


D-120
GOVERNOR GEAR
AND/OR
CROSS SHAFT



OPERATION NUMBER	OPERATION DESCRIPTION	OPERATION INCLUDES:	SERVICE MANUAL NUMBER	FLAT RATE TIME
D-130	Crankshaft Complete: Remove/Install or Replace	<ol style="list-style-type: none"> 1. Remove engine (D-10). 2. Disassemble engine. 3. Remove/install or replace crankshaft and connecting rod bearings. 4. Reassemble. 5. Adjust all controls. 	772-4232 TP-2402	4.5
D-135	Piston and Connecting Rod: Remove/Install or Replace (both sides)	<ol style="list-style-type: none"> 1. Remove engine (D-10). 2. Disassemble engine. 3. Remove/install or replace piston with rings and/or connecting rod. 4. Reassemble. 5. Adjust all controls. 	772-4232 TP-2402	4.5
D-137	Piston and Rings: Remove/Install or Replace (both sides)	<ol style="list-style-type: none"> 1. Remove engine (D-10). 2. Disassemble engine. 3. Remove cylinder head (D-40) and resurface. 4. Remove/install or replace piston and rings. 5. Reassemble. 6. Adjust all controls. 	772-4232 TP-2402	4.5
D-160	Exhaust Gaskets: Remove/Install or Replace	<ol style="list-style-type: none"> 1. Raise hood (A-01). 2. Remove side panels (A-03). 3. Remove muffler (D-170). 4. Remove/install or replace exhaust gaskets. 5. Reassemble. 	772-4232 TP-2402	0.8
D-170	Muffler: Remove/Install or Replace	<ol style="list-style-type: none"> 1. Remove hood (A-01). 2. Remove baffles. 3. Remove/install or replace muffler. 4. Remove side panels (A-03). 5. Reassemble. 	772-4232 TP-2402	0.8

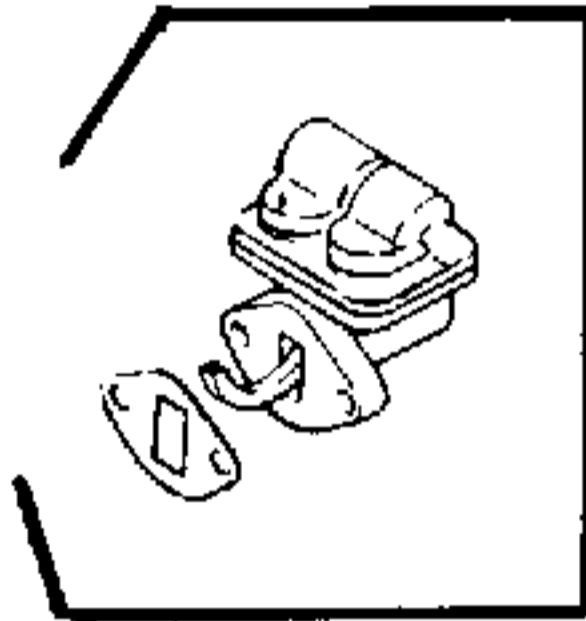
**D-170
MUFFLER**



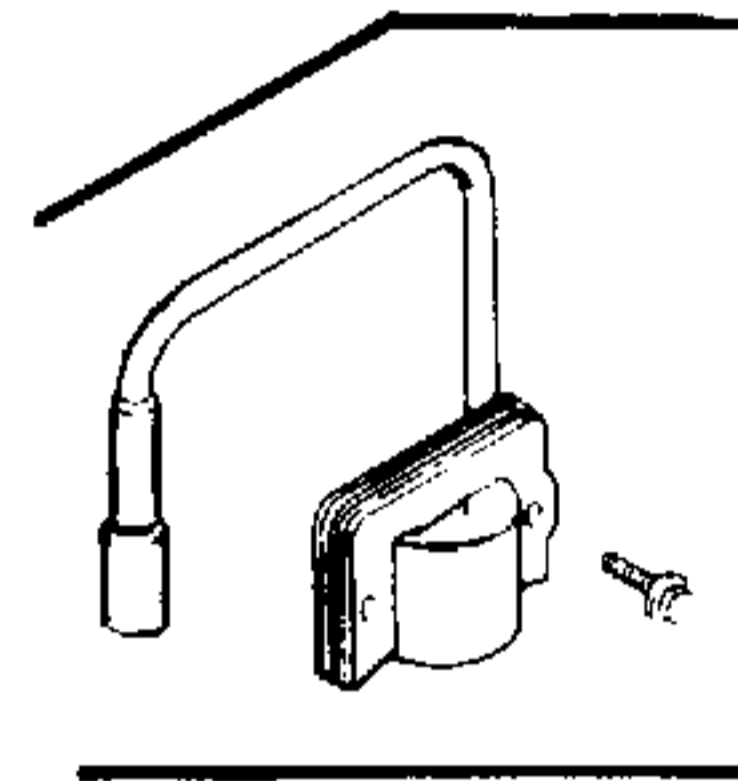
**D-195
SPARK PLUG**



**D-197
RECTIFIER-REGULATOR**

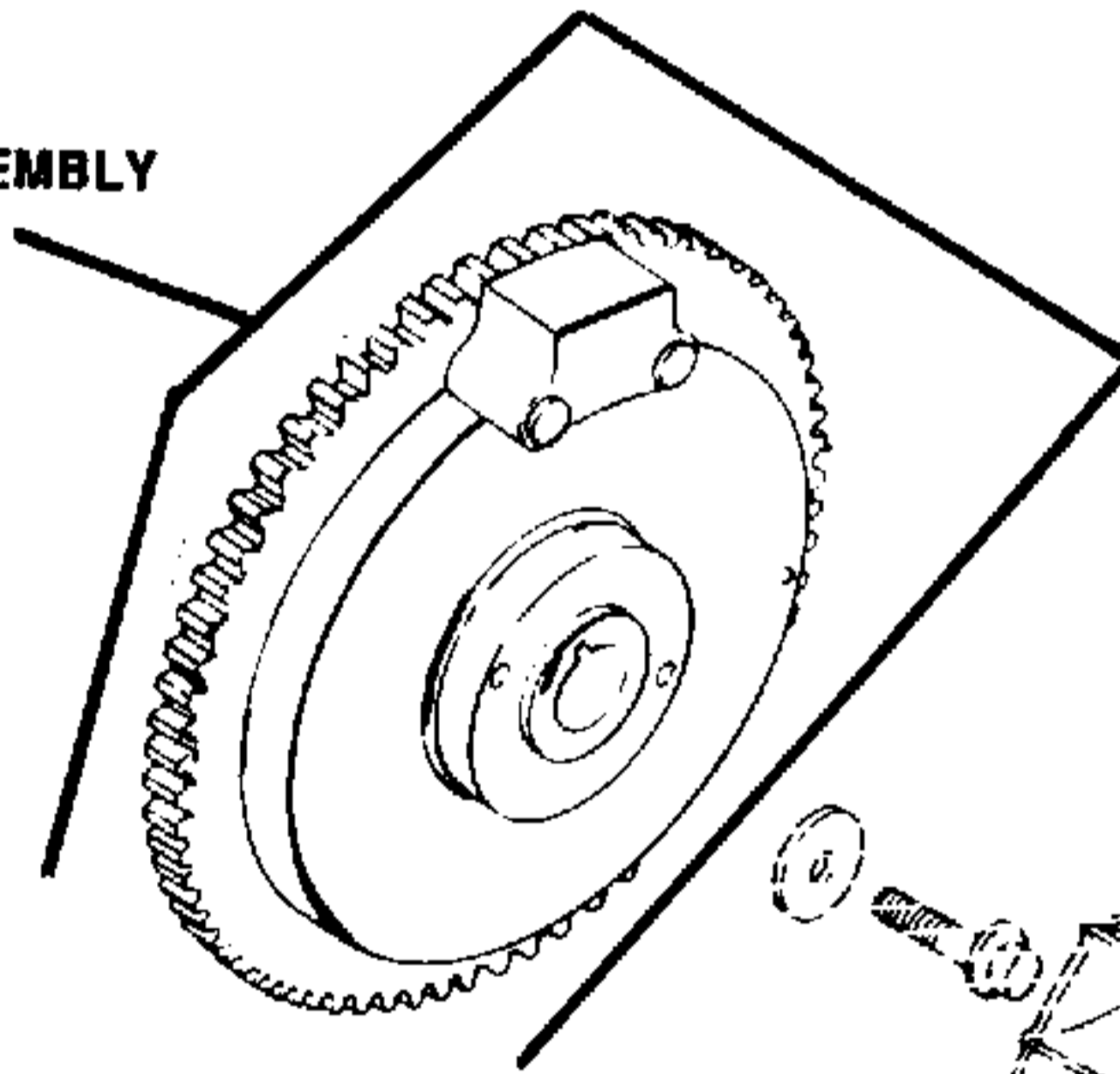


**D-200
FUEL PUMP**

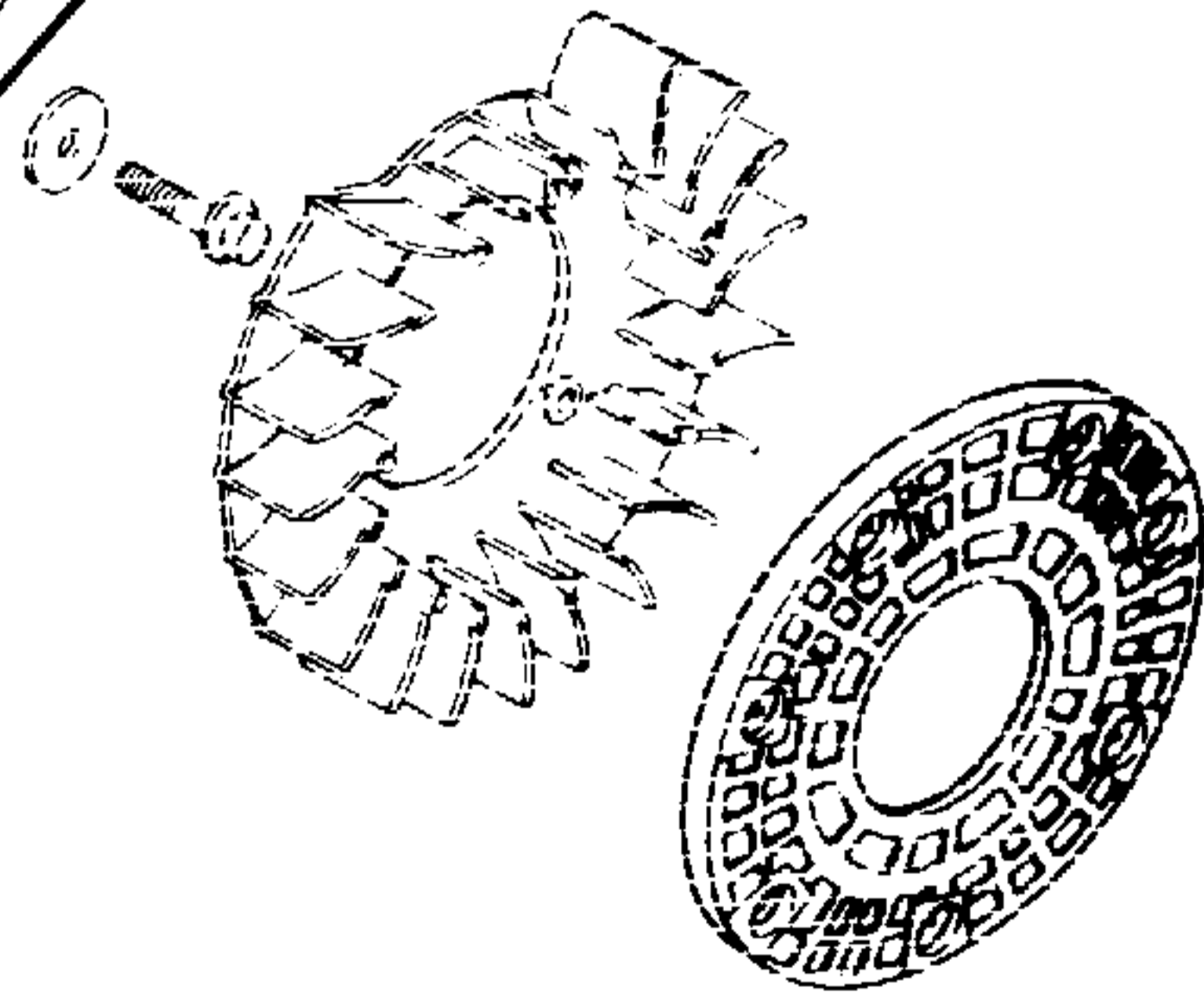
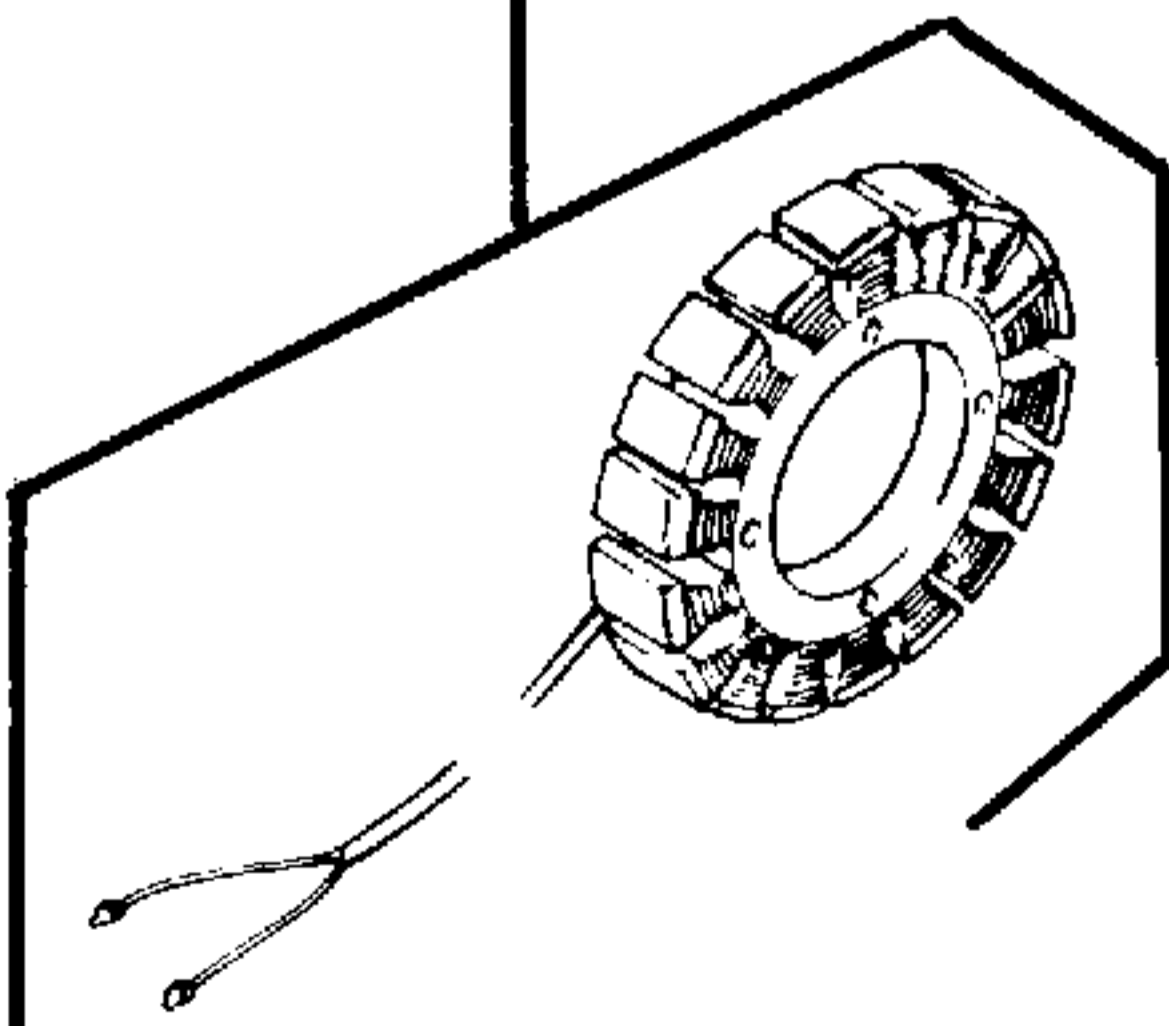


**D-203
IGNITION
MODULE**

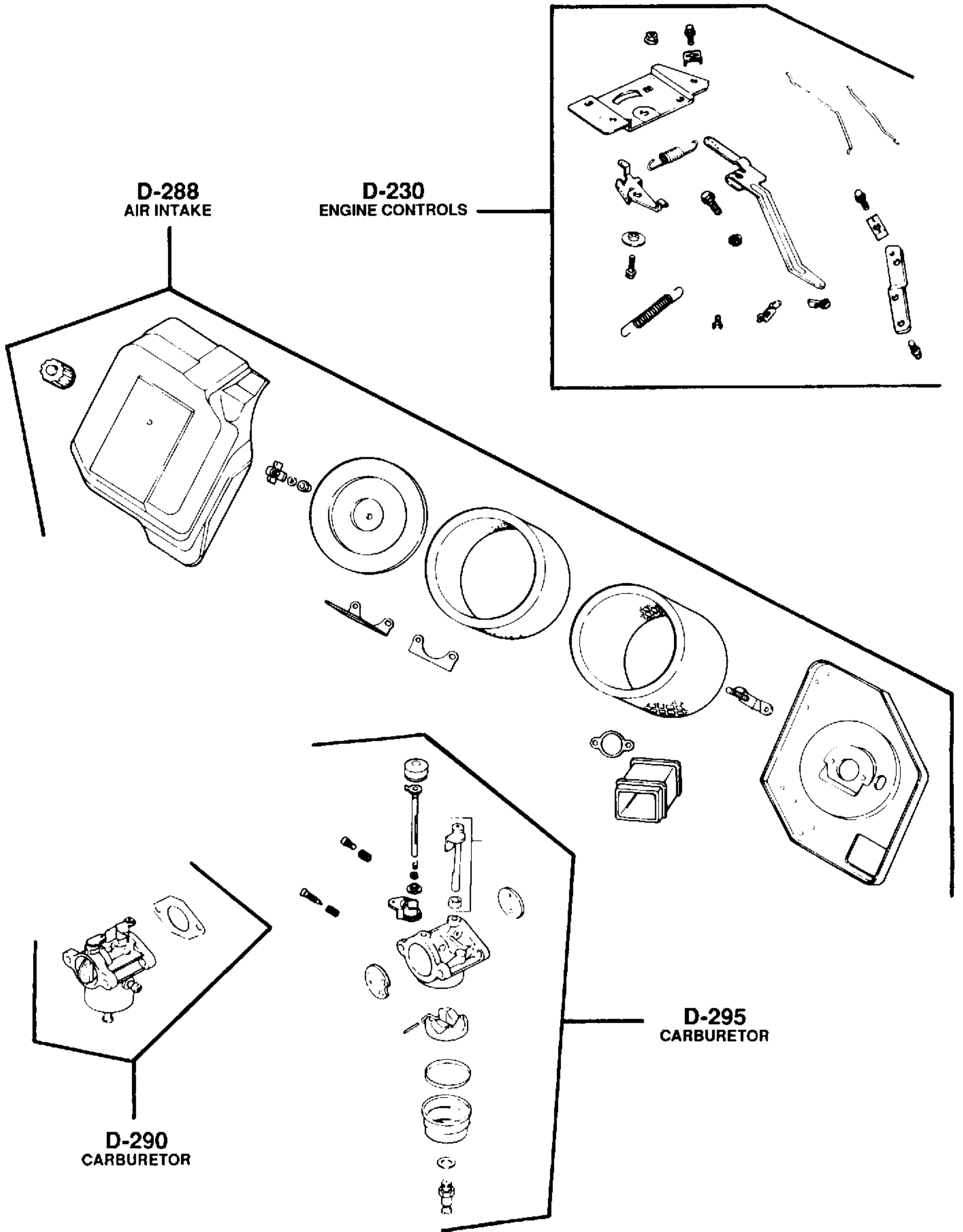
**D-207
FLYWHEEL ASSEMBLY**



**D-205
15 AMP
STATOR**

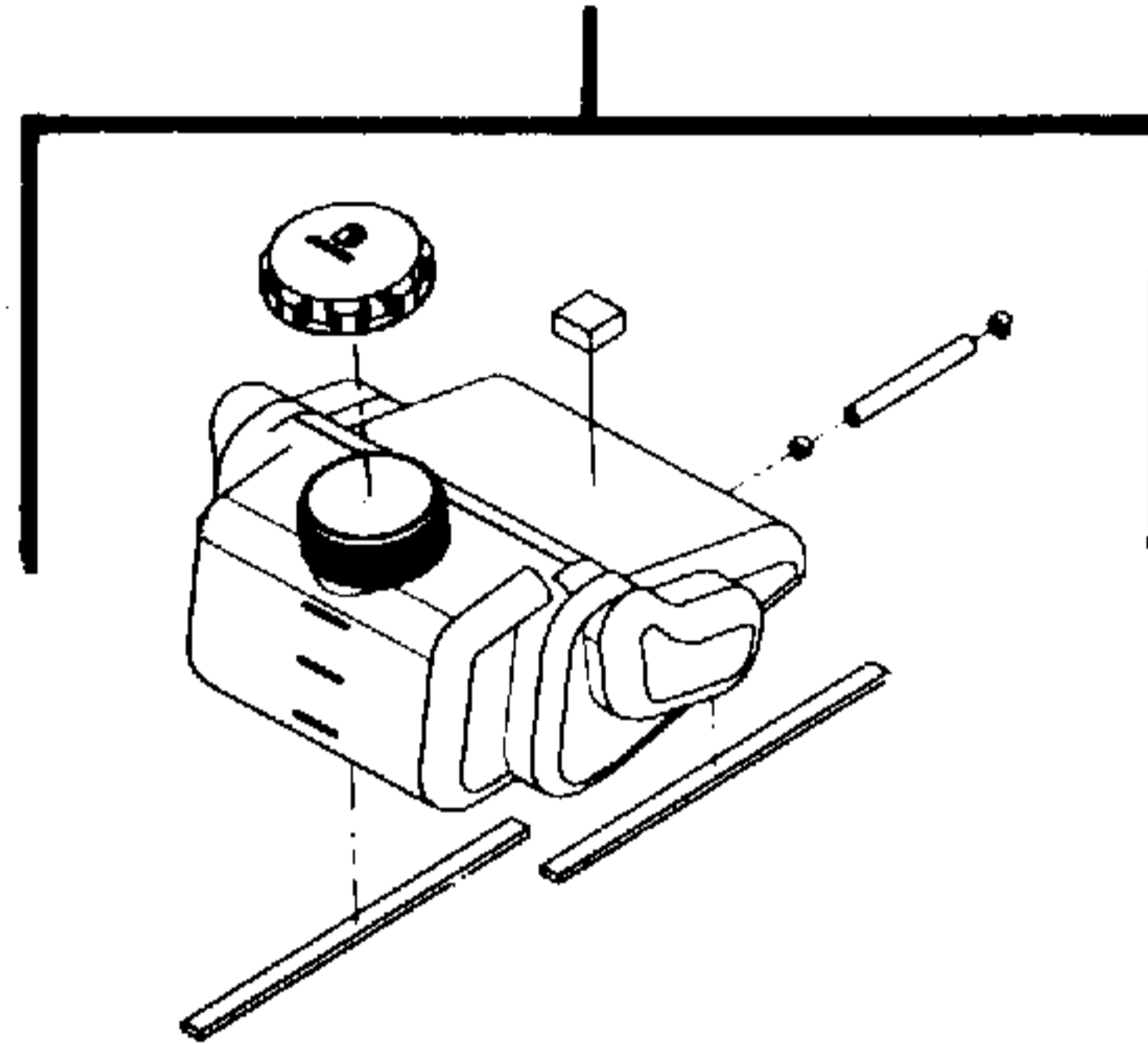


OPERATION NUMBER	OPERATION DESCRIPTION	OPERATION INCLUDES:	SERVICE MANUAL NUMBER	FLAT RATE TIME
D-195	Spark Plug: Remove/Install or Replace	<ol style="list-style-type: none"> 1. Remove side panels (A-03). 2. Adjust plug gap. 3. Remove/install or replace spark plug. 4. Reassemble. 	772-4232 TP-2402	0.2
D-197	Rectifier-Regulator: Remove/Install or Replace	<ol style="list-style-type: none"> 1. Raise hood (A-01). 2. Remove side panel (A-03). 3. Remove/install or replace rectifier-regulator and test voltage. 4. Reassemble. 	772-4232 TP-2402	0.5
D-200	Fuel Pump: Remove/Install or Replace	<ol style="list-style-type: none"> 1. Raise hood (A-01). 2. Remove left-hand side panel (A-03). 3. Remove vacuum and fuel lines. 4. Remove/install or replace fuel pump. 5. Reassemble. 	772-4232 TP-2402	0.5
D-203T	Ignition Module: Remove/Install or Replace (one only)	<ol style="list-style-type: none"> 1. Raise hood (A-01). 2. Remove side panel (A-03). 3. Remove/install or replace ignition module. 4. Reassemble. 	772-4232 TP-2402	2.3
D-205	15 Amp Stator and Connector: Remove/Install or Replace	<ol style="list-style-type: none"> 1. Remove engine (D-10) and blower housing cover. 2. Remove flywheel (D-207). 3. Remove/install or replace stator kit. 4. Reassemble and test. 5. Adjust all controls. 	772-4232 TP-2402	2.8
D-207	Flywheel Assembly: Remove/Install or Replace	<ol style="list-style-type: none"> 1. Remove engine (D-10) and blower housing cover. 2. Remove/install or replace flywheel assembly. 3. Check air gap. 4. Reassemble. 5. Adjust all controls. 	772-4232 TP-2402	2.6



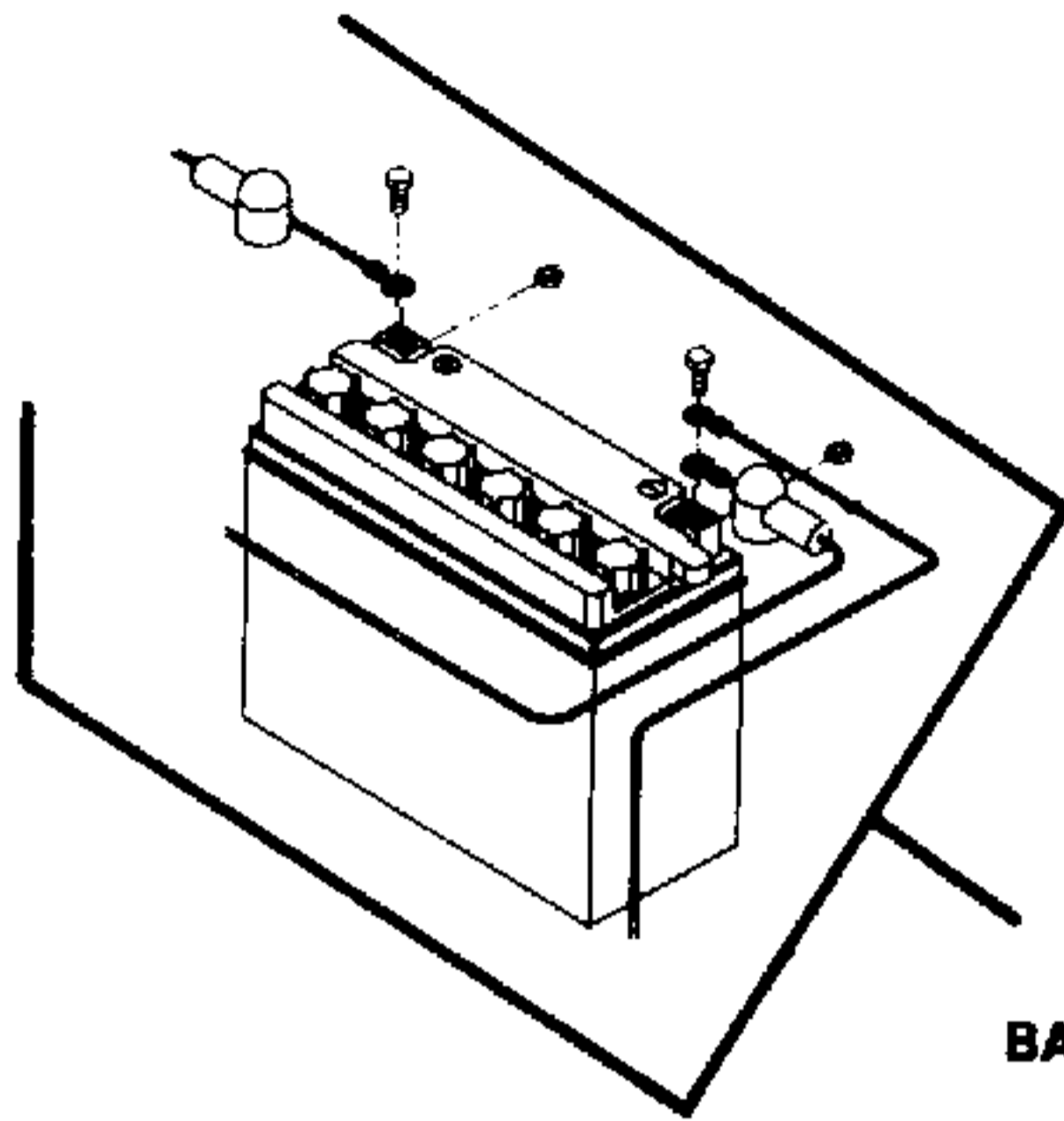
OPERATION NUMBER	OPERATION DESCRIPTION	OPERATION INCLUDES:	SERVICE MANUAL NUMBER	FLAT RATE TIME
D-230	Engine Controls: Adjust	<ol style="list-style-type: none"> 1. Remove side panel (A-03). 2. Adjust engine controls. 3. Reassemble. 	772-4232 TP-2402	0.3
D-288	Air Intake/ Filtration: Remove/Install or Replace	<ol style="list-style-type: none"> 1. Raise hood (A-01). 2. Remove/install or replace air intake or filter. 	772-4232 TP-2402	0.4
D-290	Carburetor: Remove/Install or Replace	<ol style="list-style-type: none"> 1. Raise hood (A-01). 2. Remove side panel (A-03). 3. Remove air intake (D-288). 4. Remove/install or replace carburetor. 5. Reassemble. 	772-4232 TP-2402	0.5
D-295	Carburetor: Overhaul	<ol style="list-style-type: none"> 1. Remove carburetor (D-290). 2. Disassemble carburetor and remove/install or replace all worn or damaged parts. 3. Reassemble. 4. Adjust carburetor (D-300). 	772-4232 TP-2402	1.5
D-300	Carburetor: Adjust	<ol style="list-style-type: none"> 1. Remove side panels (A-03). 2. Remove upper bulkhead. 3. Adjust carburetor. 4. Reassemble. 	772-4232 TP-2402	0.5

**E-01
FUEL TANK
ASSEMBLY**

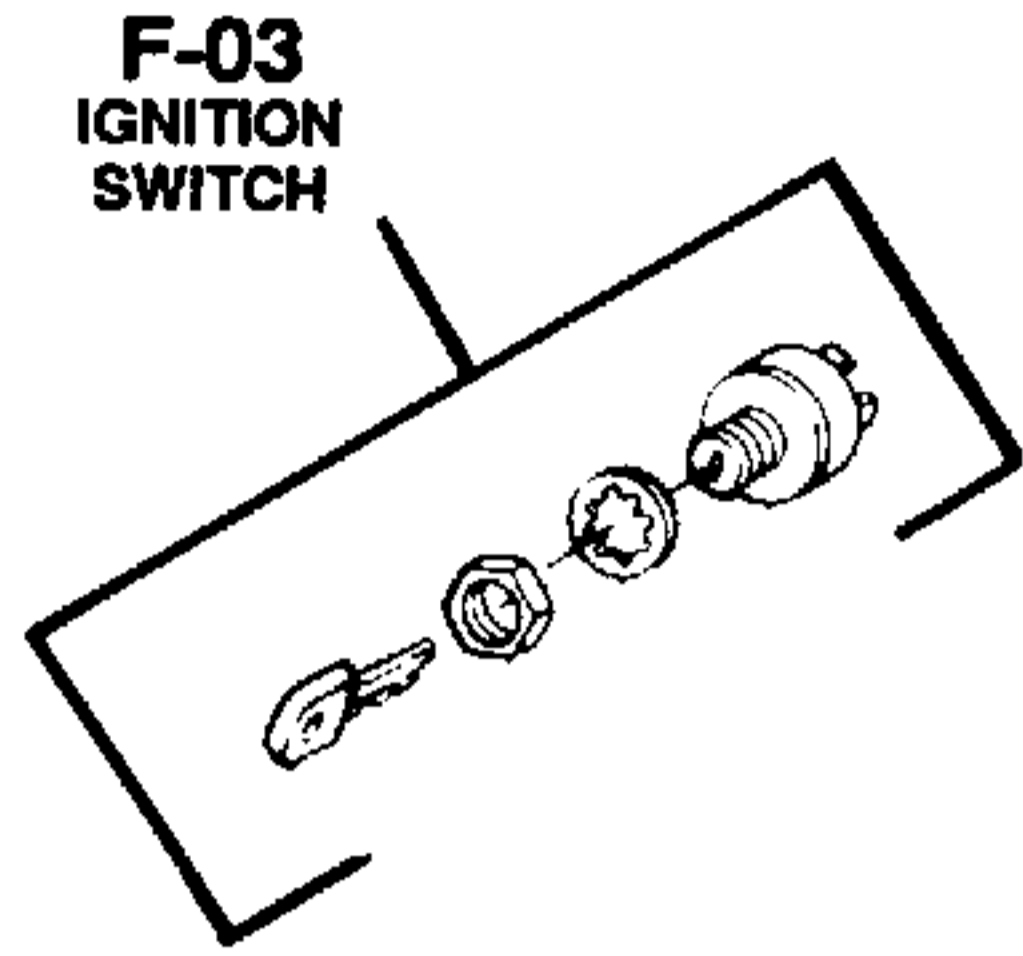


OPERATION NUMBER	OPERATION DESCRIPTION	OPERATION INCLUDES:	SERVICE MANUAL NUMBER	FLAT RATE TIME
E-01	Fuel Tank Assembly: Remove/Install or Replace	1. Remove fender (A-05). 2. Remove electrical and fuel lines. 3. Remove/install or replace fuel tank. 4. Reassemble.	772-4232	0.5

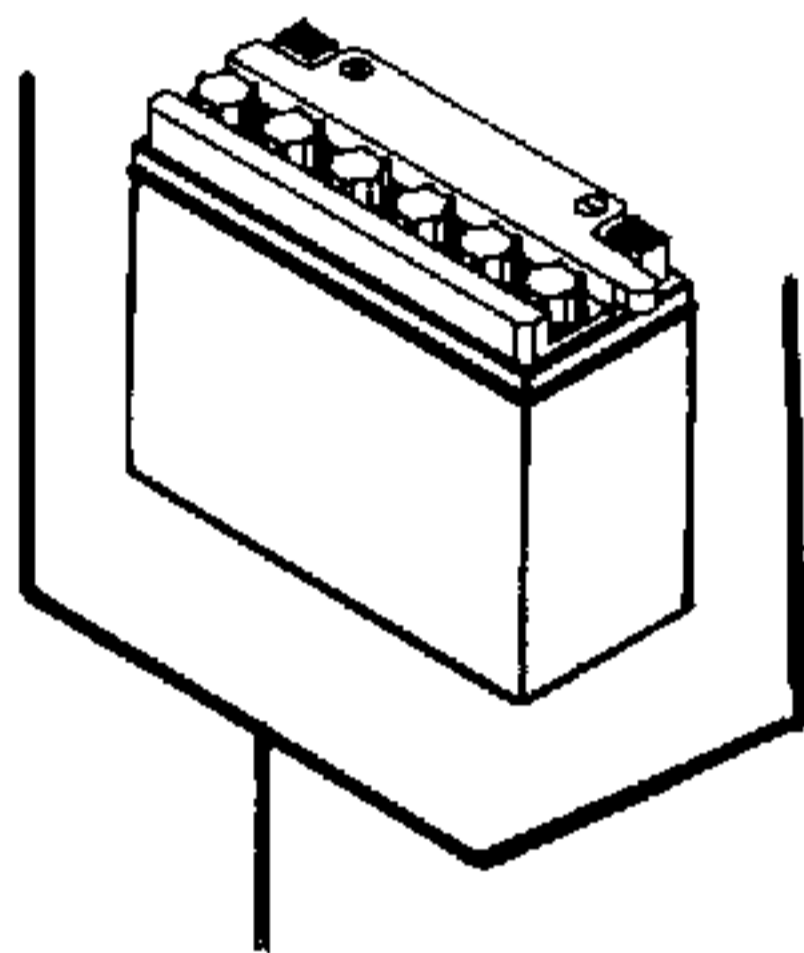
OPERATION NUMBER	OPERATION DESCRIPTION	OPERATION INCLUDES:	SERVICE MANUAL NUMBER	FLAT RATE TIME
F-00	Electrical System: Check	1. Hook up voltmeter. 2. Check complete electrical system.	772-4232	0.7
F-01	Battery Cable: Remove/Install or Replace	1. Remove side panels (A-03). 2. Remove/install or replace battery cable. 3. Reassemble.	772-4232	0.2
F-02	Battery: Remove/Install or Replace	1. Remove side panels (A-03). 2. Disconnect battery cables (F-01). 3. Remove/install or replace battery. 4. Reassemble.	772-4232	0.2
F-03	Ignition Switch: Remove/Install or Replace	1. Remove side panels (A-03). 2. Disconnect battery. 3. Remove/install or replace ignition switch. 4. Reassemble.	772-4232	0.5
F-04	Head Lamp Bulbs (two): Remove/Install or Replace	1. Raise hood. 2. Remove/install or replace head lamp bulbs.	772-4232	0.1
F-05	Main Wire Harness: Remove/Install or Replace	1. Remove side panels (A-03). 2. Remove battery (F-02). 3. Remove/install or replace main wire harness. 4. Reassemble. 5. Check electrical system (F-00).	772-4232	2.0
F-06	Fuse Holder: Remove/Install or Replace	1. Remove side panel (A-03). 2. Remove/install or replace fuse holder. 3. Reassemble.	772-4232	0.2
F-07	Relay: Remove/Install or Replace	1. Remove side panel (A-03). 2. Remove/install or replace relay. 3. Reassemble.	772-4232	0.2



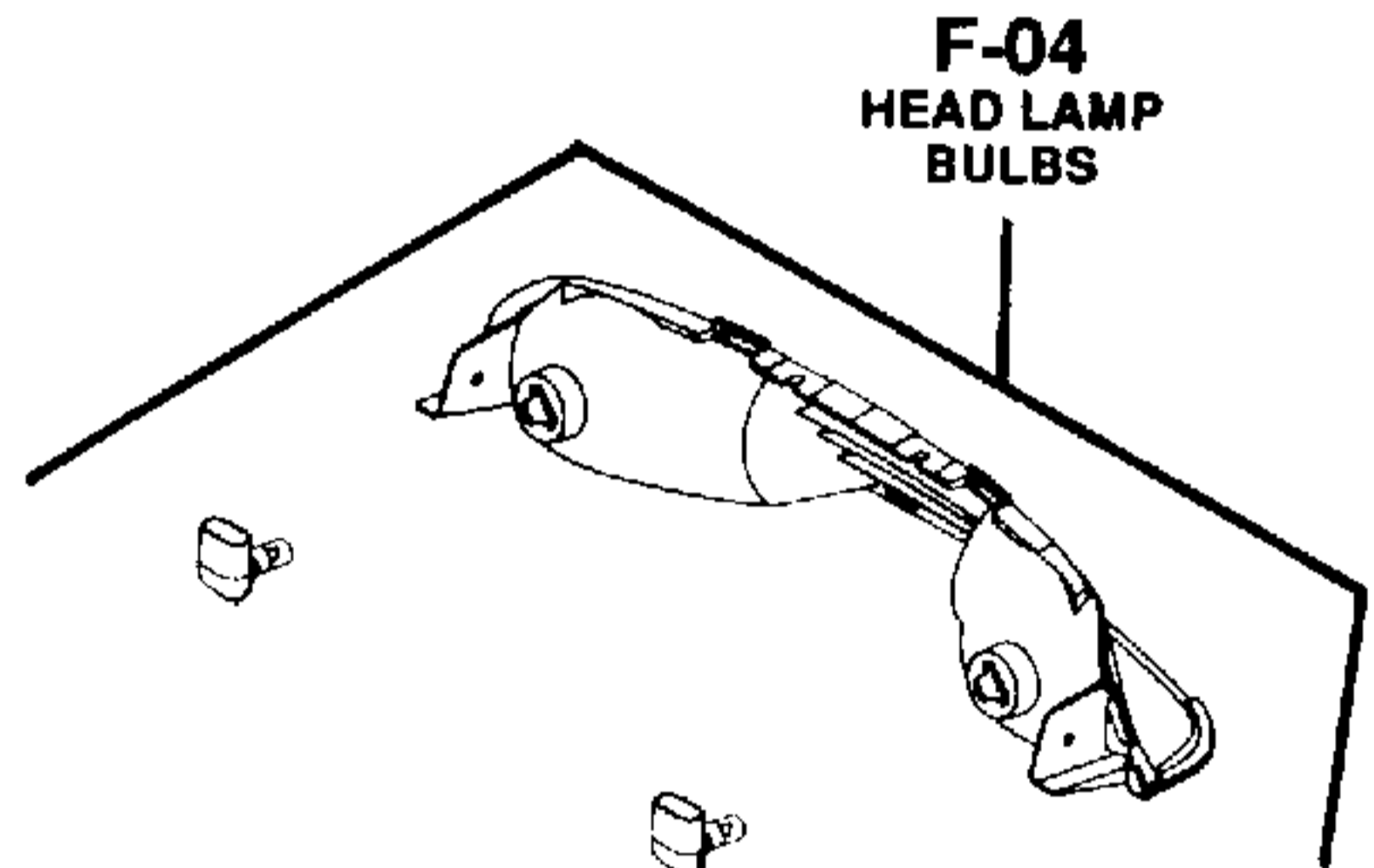
F-01
BATTERY CABLE



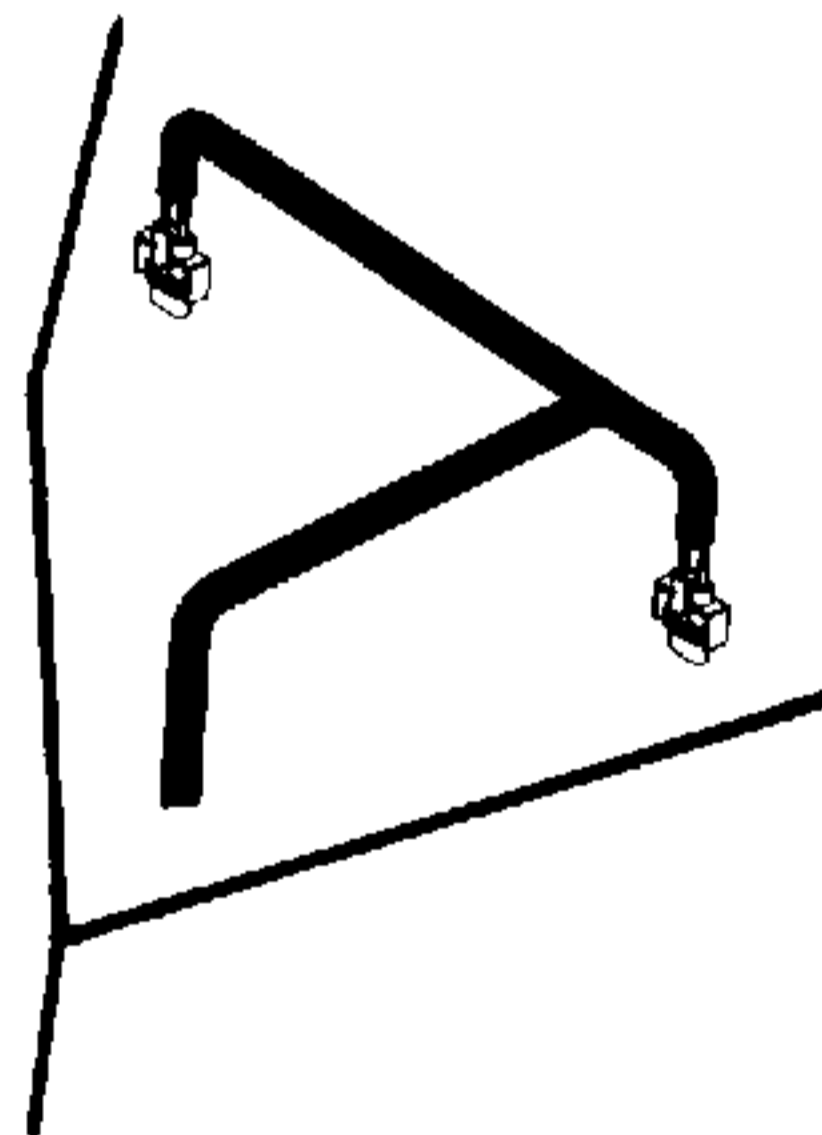
F-03
IGNITION
SWITCH



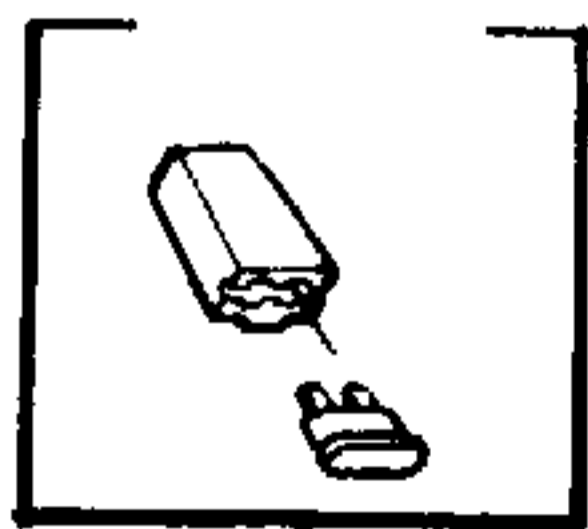
F-02
BATTERY



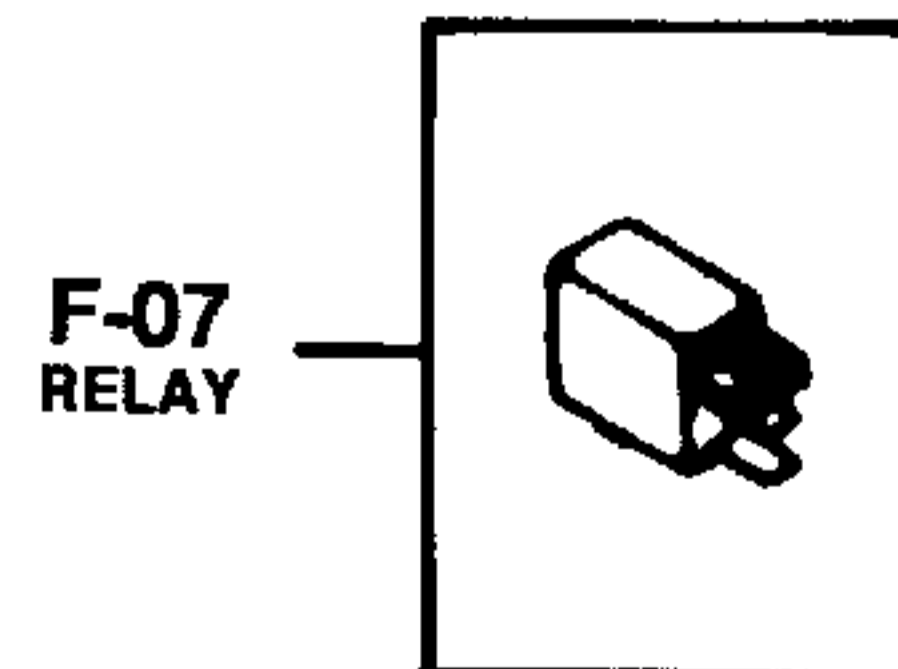
F-04
HEAD LAMP
BULBS



F-05
MAIN WIRE
HARNESS

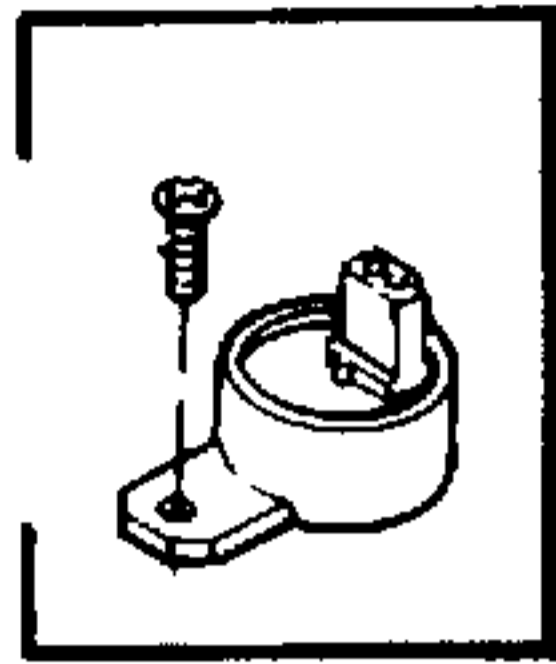


F-06
FUSE HOLDER

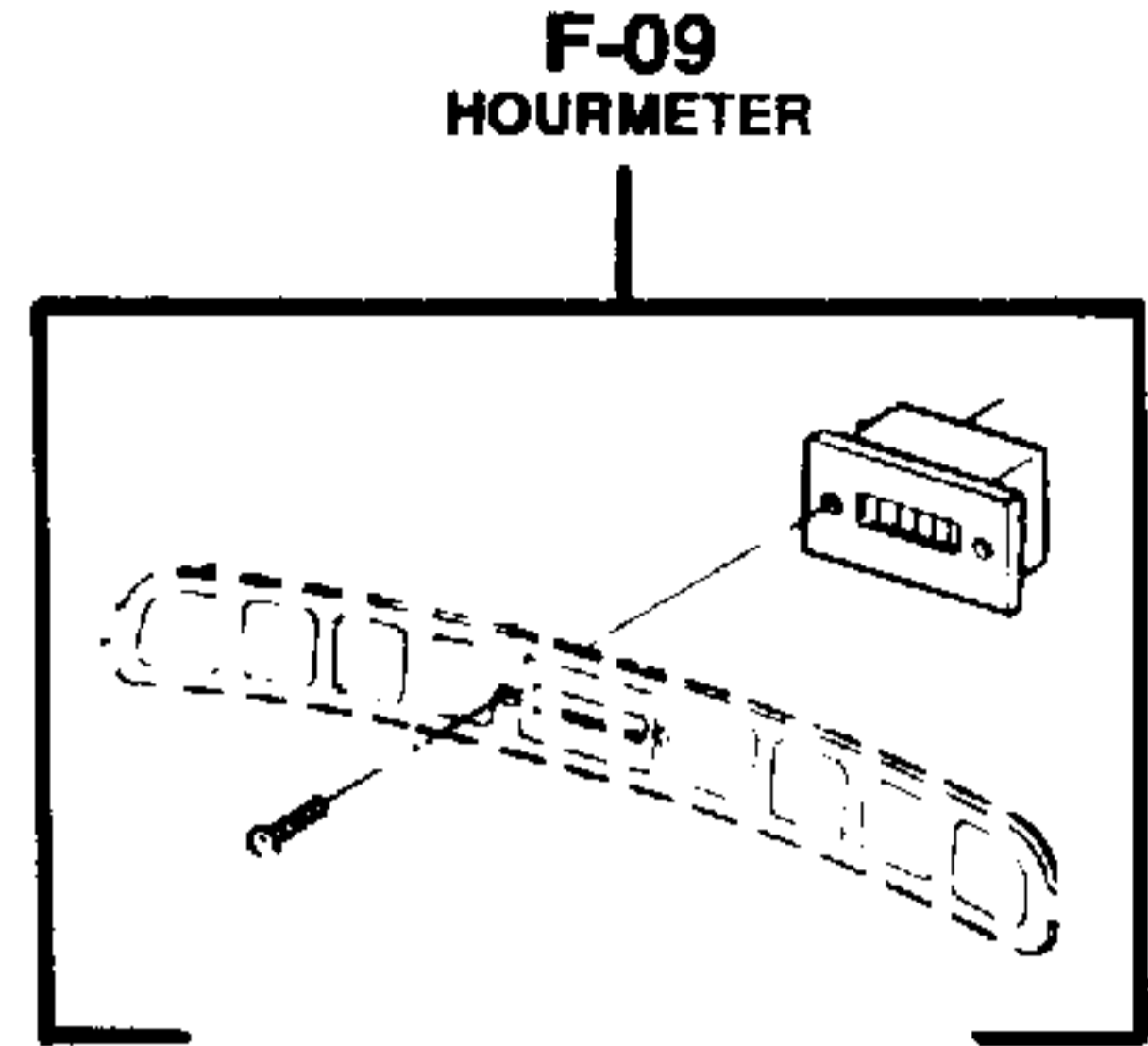


F-07
RELAY

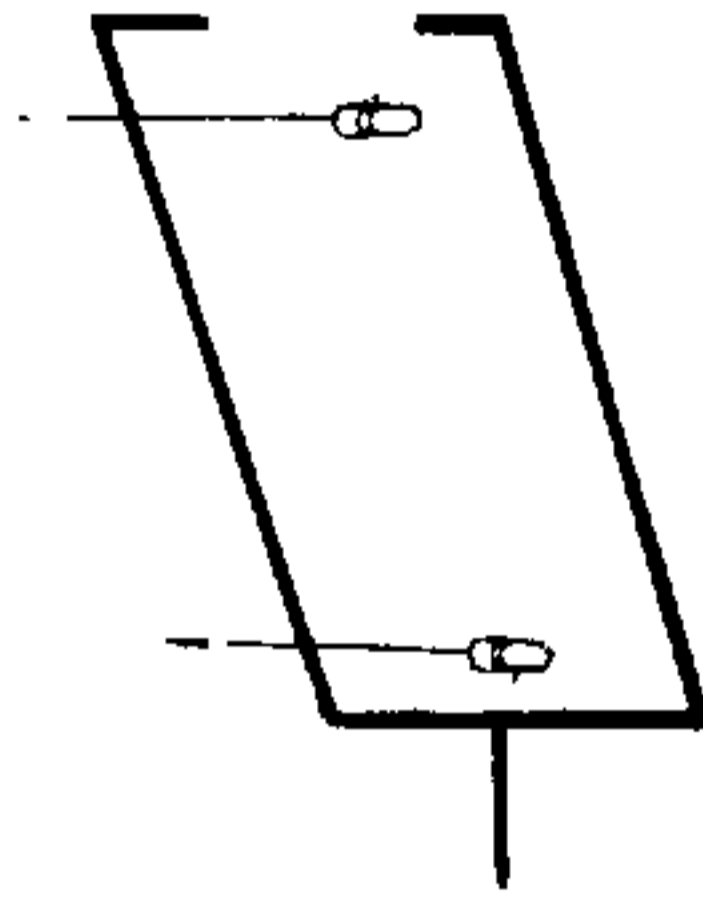
OPERATION NUMBER	OPERATION DESCRIPTION	OPERATION INCLUDES:	SERVICE MANUAL NUMBER	FLAT RATE TIME
F-08	Voltage Indicator: Remove/Install or Replace	<ol style="list-style-type: none"> 1. Remove side panel (A-03). 2. Remove/install or replace voltage indicator. 3. Reassemble. 	772-4232	0.2
F-09	Hourmeter: Remove/Install or Replace	<ol style="list-style-type: none"> 1. Remove dash label (A-10). 2. Remove/install or replace hourmeter. 3. Reassemble. 	772-4232	0.2
F-10	Indicator Bulb: Remove/Install or Replace	<ol style="list-style-type: none"> 1. Remove bulb holder from dash panel. 2. Remove/install or replace indicator bulb. 3. Reassemble. 	772-4232	0.1
F-11	Seat Switches: Remove/Install or Replace	<ol style="list-style-type: none"> 1. Remove seat. 2. Remove/install or replace seat switch. 3. Reassemble. 	772-4232	0.2
F-12	Reverse Switch: Remove/Install or Replace	<ol style="list-style-type: none"> 1. Remove side panel (A-03). 2. Disconnect battery. 3. Remove/install or replace reverse switch. 4. Reassemble. 	772-4232	0.4
F-13	Interlock Switch: Remove/Install or Replace	<ol style="list-style-type: none"> 1. Remove side panel (A-03). 2. Remove/install or replace interlock switch. 3. Reassemble and test. 	772-4232	0.3
F-14	PTO Switch: Remove/Install or Replace	<ol style="list-style-type: none"> 1. Remove/install or replace PTO switch. 2. Reassemble. 	772-4232	0.3



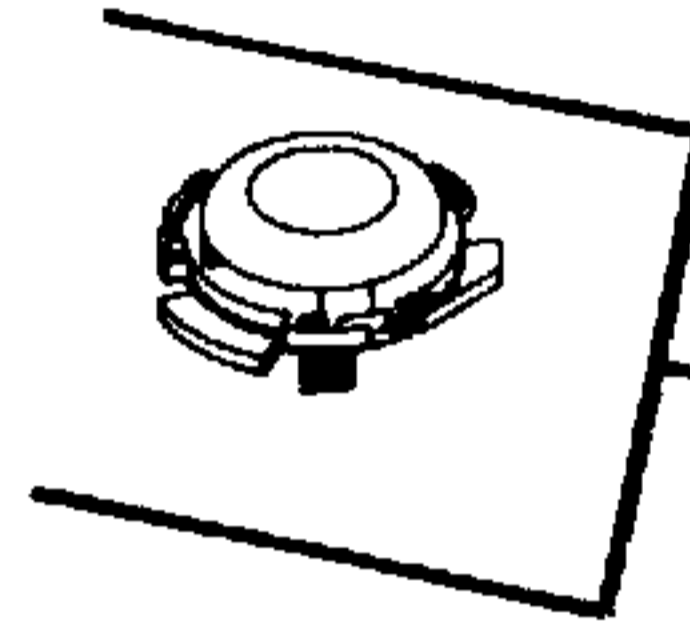
F-08
VOLTAGE INDICATOR



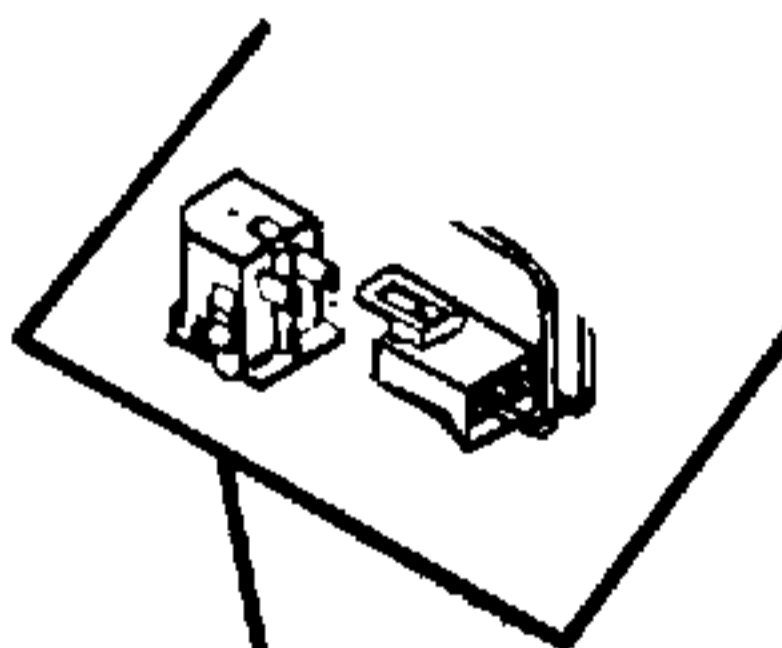
F-09
HOURMETER



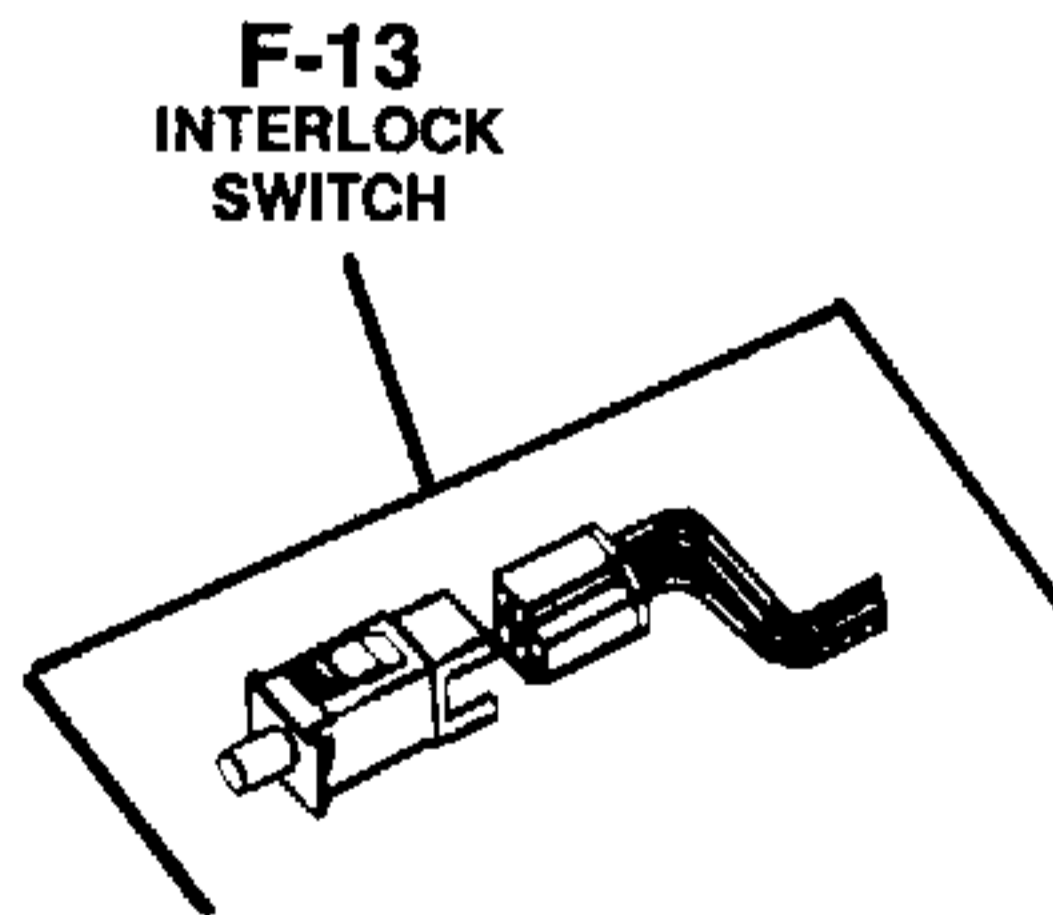
F-10
INDICATOR BULB



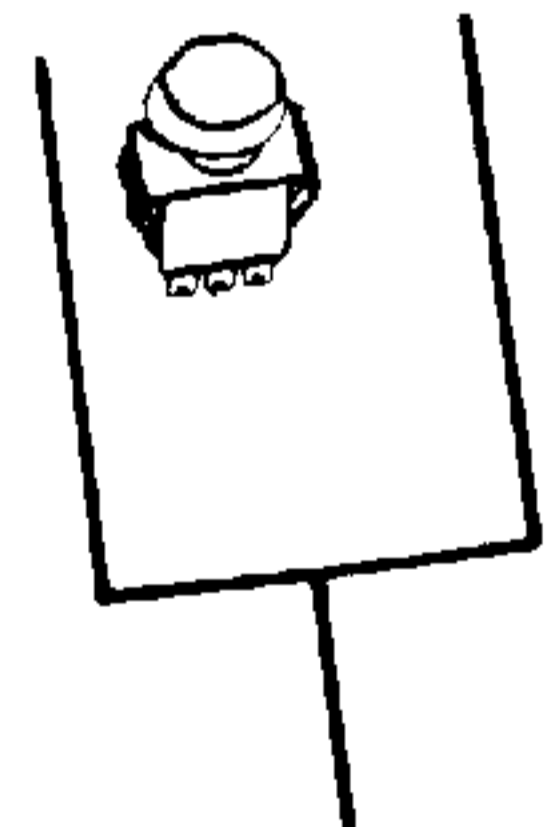
F-11
SEAT SWITCHES



F-12
REVERSE SWITCH

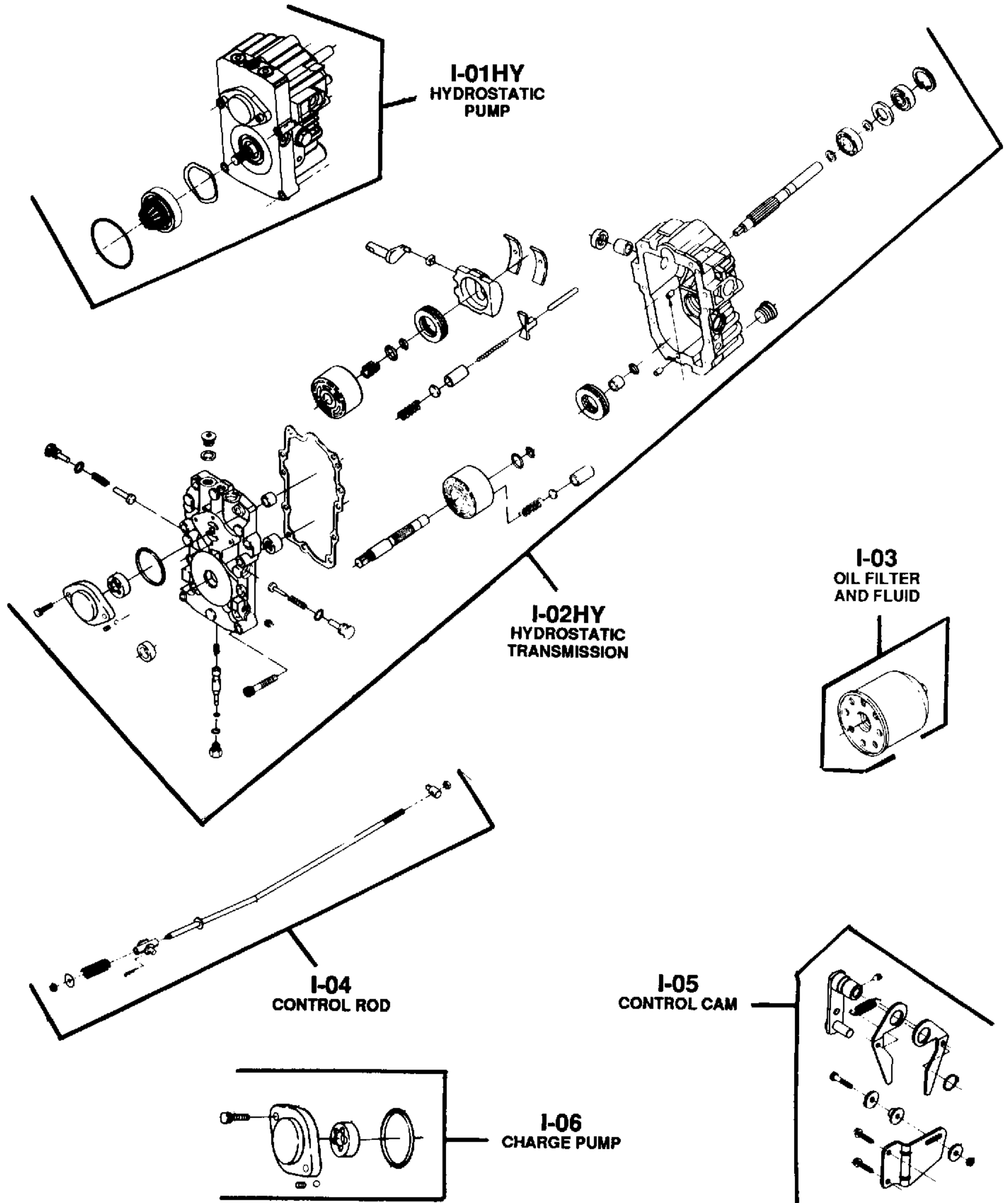


F-13
INTERLOCK
SWITCH

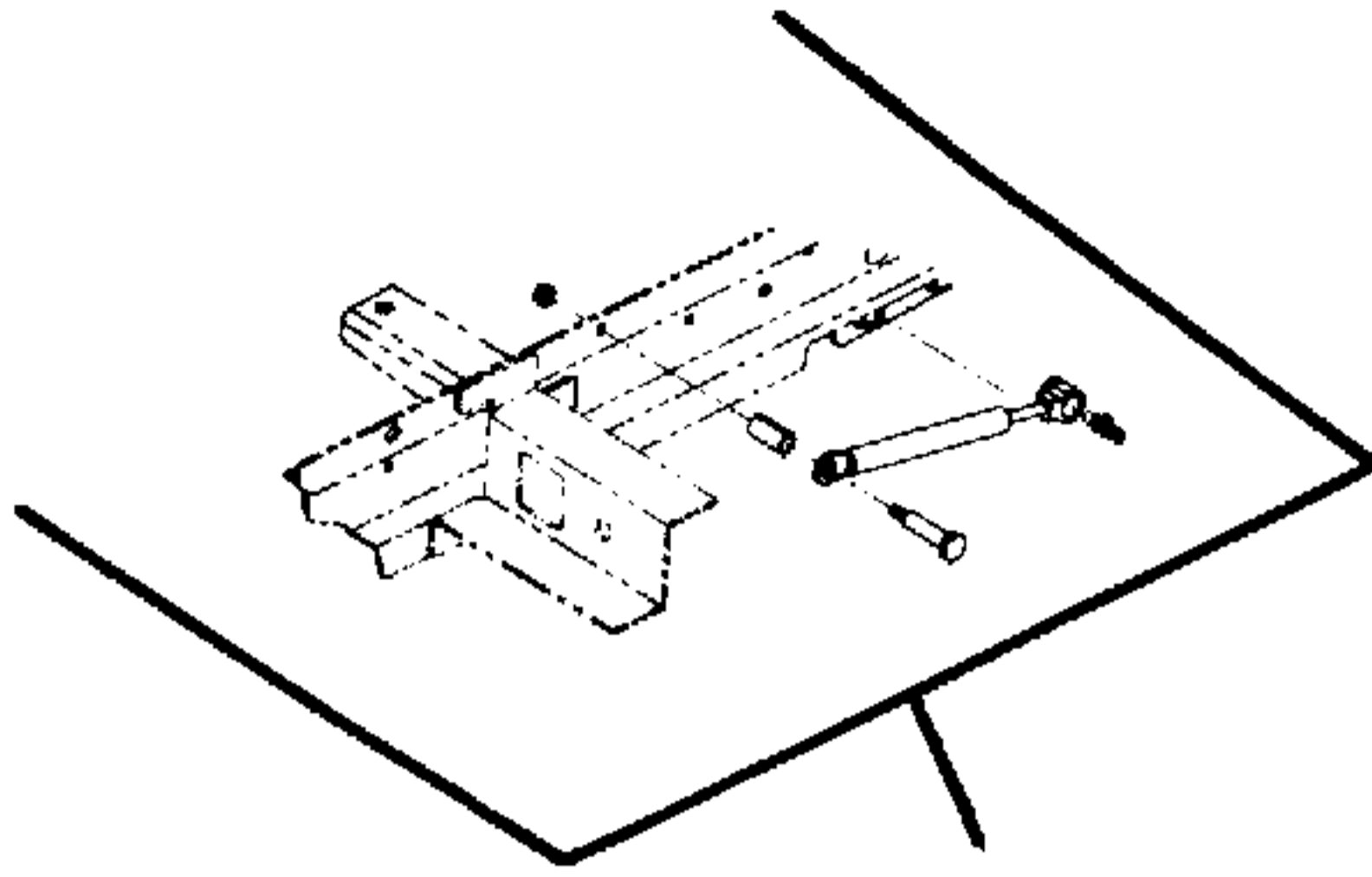


F-14
PTO SWITCH

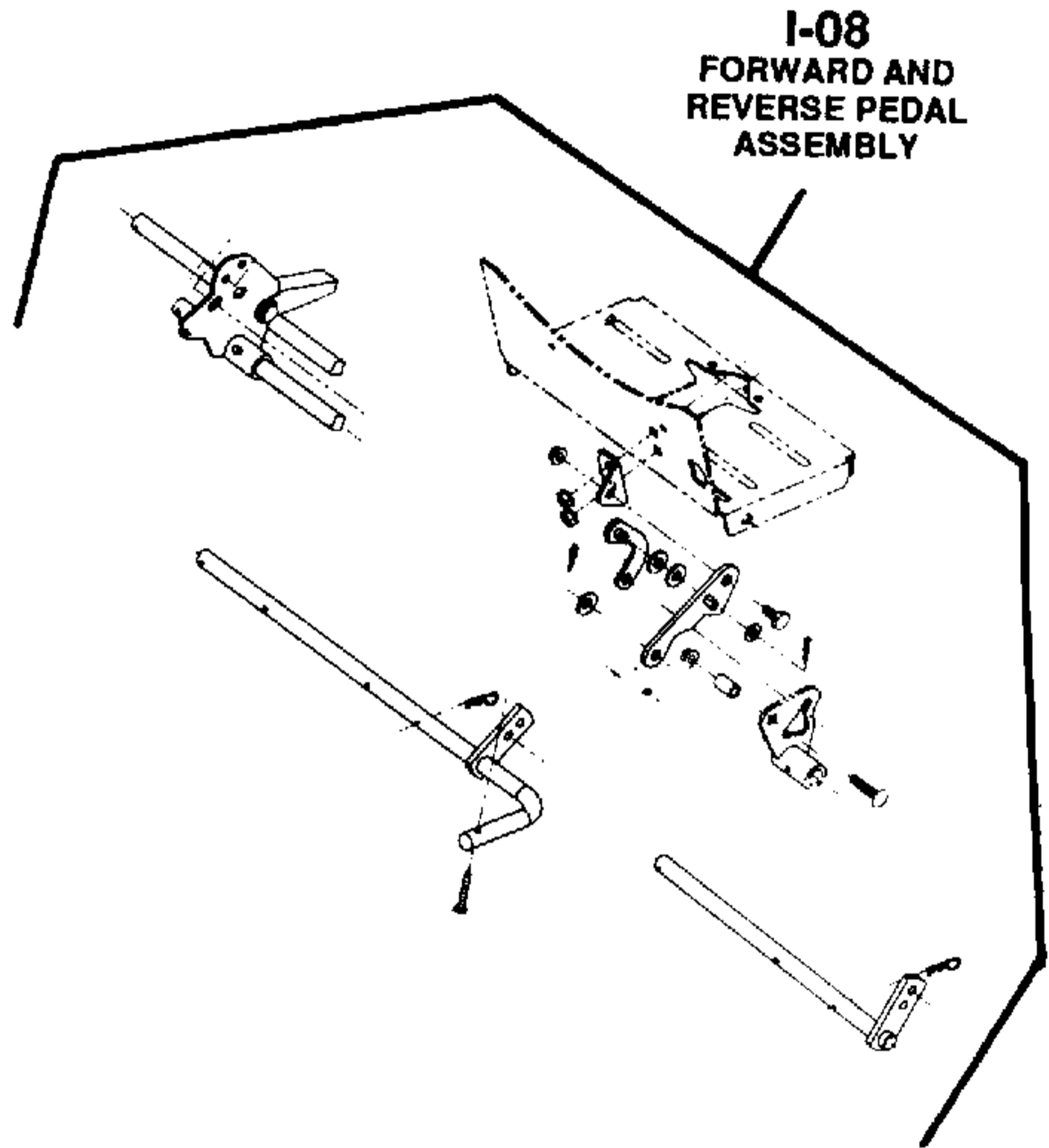
OPERATION NUMBER	OPERATION DESCRIPTION	OPERATION INCLUDES:	SERVICE MANUAL NUMBER	FLAT RATE TIME
I-01HY	Hydrostatic Pump: Remove/Install or Replace	<ol style="list-style-type: none"> 1. Remove fenders (A-05). 2. Remove drive shaft drive coupling. 3. Disconnect all linkage and fluid lines. 4. Remove/install or replace hydrostatic pump. 5. Reassemble. 	772-4232	1.5
I-02HY	Hydrostatic Transmission: Overhaul	<ol style="list-style-type: none"> 1. Remove hydrostatic pump (I-01HY) and disassemble. 2. Remove/install or replace worn or damaged parts. 3. Reassemble. 	772-4232	3.0
I-03HY	Oil Filter and Fluid: Remove/Install or Replace	<ol style="list-style-type: none"> 1. Remove oil filter. 2. Drain fluid. 3. Remove/install or replace oil filter and hydraulic fluid. 4. Reassemble. 	772-4232	0.4
I-04	Control Rod: Remove/Install or Replace	<ol style="list-style-type: none"> 1. Remove/install or replace control rod. 2. Reassemble and adjust. 	772-4232	0.4
I-05	Control Cam: Remove/Install or Replace	<ol style="list-style-type: none"> 1. Remove/install or replace control cam. 2. Reassemble and adjust. 	772-4232	0.4
I-06	Charge Pump: Overhaul	<ol style="list-style-type: none"> 1. Remove fenders (A-05). 2. Remove charge pump housing and overhaul. 3. Reassemble and test. 	772-4232	1.2
I-07HY	Damper Cylinder: Remove/Install or Replace	<ol style="list-style-type: none"> 1. Remove/install or replace damper cylinder. 2. Reassemble. 	772-4232	0.4



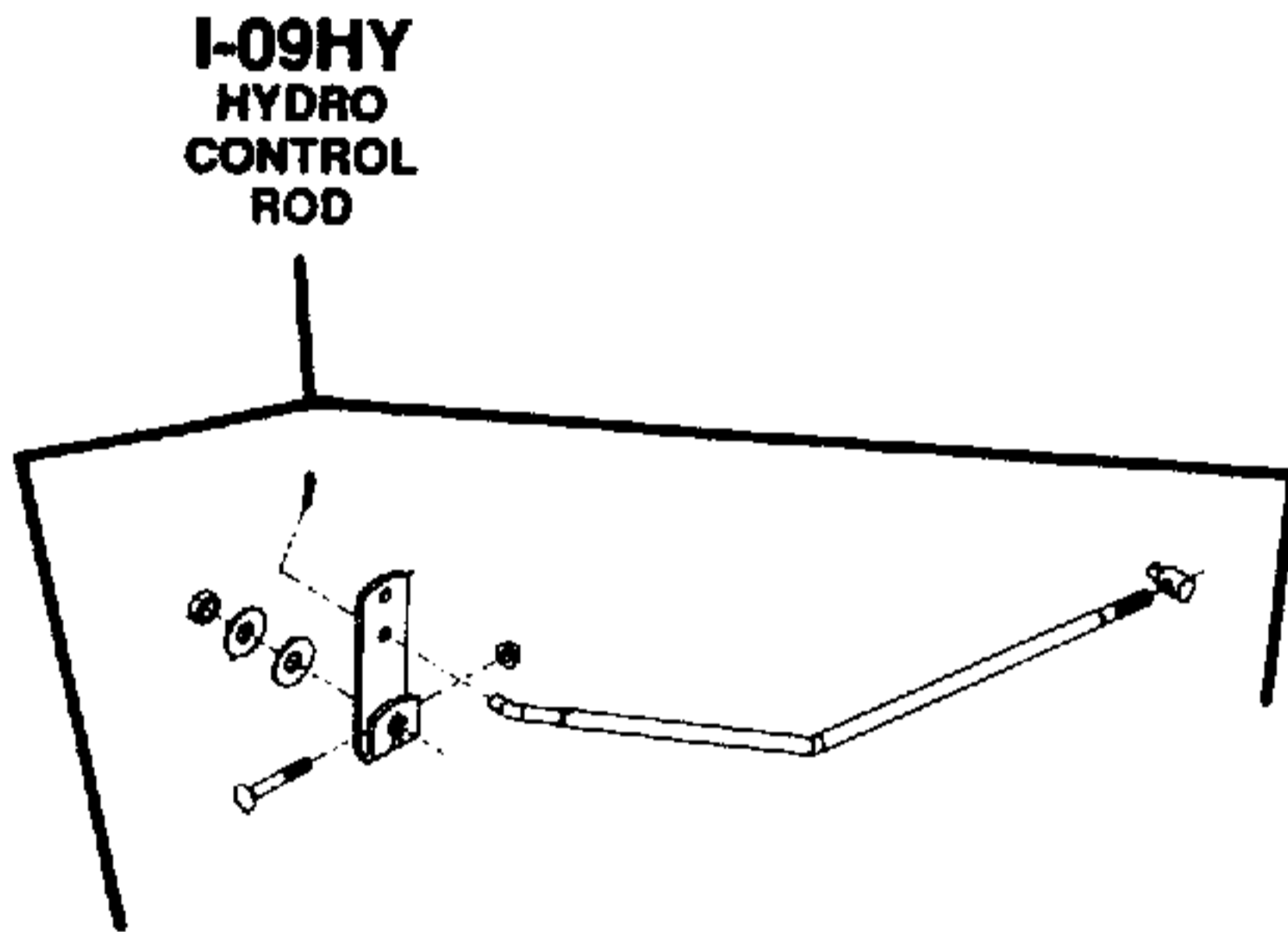
OPERATION NUMBER	OPERATION DESCRIPTION	OPERATION INCLUDES:	SERVICE MANUAL NUMBER	FLAT RATE TIME
I-08	Forward and Reverse Pedal Assembly: Remove/Install or Replace	<ol style="list-style-type: none"> 1. Remove/install or replace any part within assembly. 2. Reassemble and adjust. 	772-4232	0.7
I-09HY	Hydro Control Rod: Remove/Install or Replace	Remove/install or replace hydro control rod.	772-4232	0.4
I-10HY	Cruise Control Lever: Remove/Install or Replace	<ol style="list-style-type: none"> 1. Remove fenders (A-05). 2. Remove/install or replace cruise control lever. 3. Reassemble and adjust. 	772-4232	0.7
I-11	Drive Shaft: Remove/Install or Replace	<ol style="list-style-type: none"> 1. Remove side panel (A-03). 2. Remove fenders (A-05). 3. Remove instrument panel (A-10). 4. Remove/install or replace drive shaft. 5. Reassemble. 	772-4232	1.5
I-12	Hydro Pickup Tube: Remove/Install or Replace	<ol style="list-style-type: none"> 1. Remove fenders (A-05). 2. Remove/install or replace hydro pickup tube. 3. Reassemble. 	772-4232	0.7
I-13HY	Transmission: Remove/Install or Replace	<ol style="list-style-type: none"> 1. Remove fenders (A-05). 2. Disconnect drive line and all linkages. 3. Remove/install or replace transmission. 4. Reassemble and adjust. 	772-4232	1.5
I-13A	Transmission: Overhaul	<ol style="list-style-type: none"> 1. Remove transmission (I-13HY). 2. Disassemble and replace any worn or damaged parts. 3. Reassemble and install into frame. 4. Adjust and complete reassembly. 	772-4232	3.0



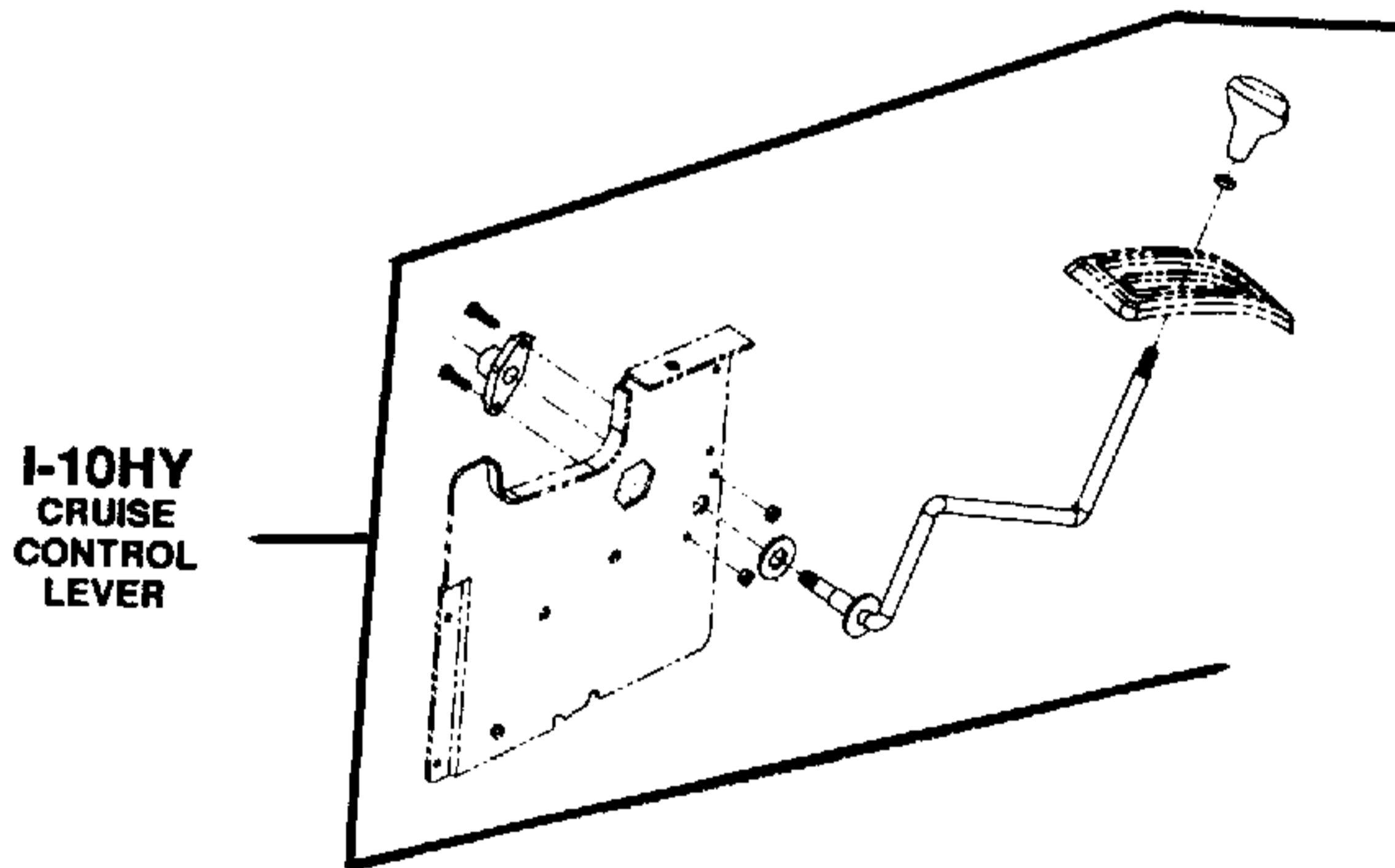
**I-07HY
DAMPER CYLINDER**



**I-08
FORWARD AND
REVERSE PEDAL
ASSEMBLY**

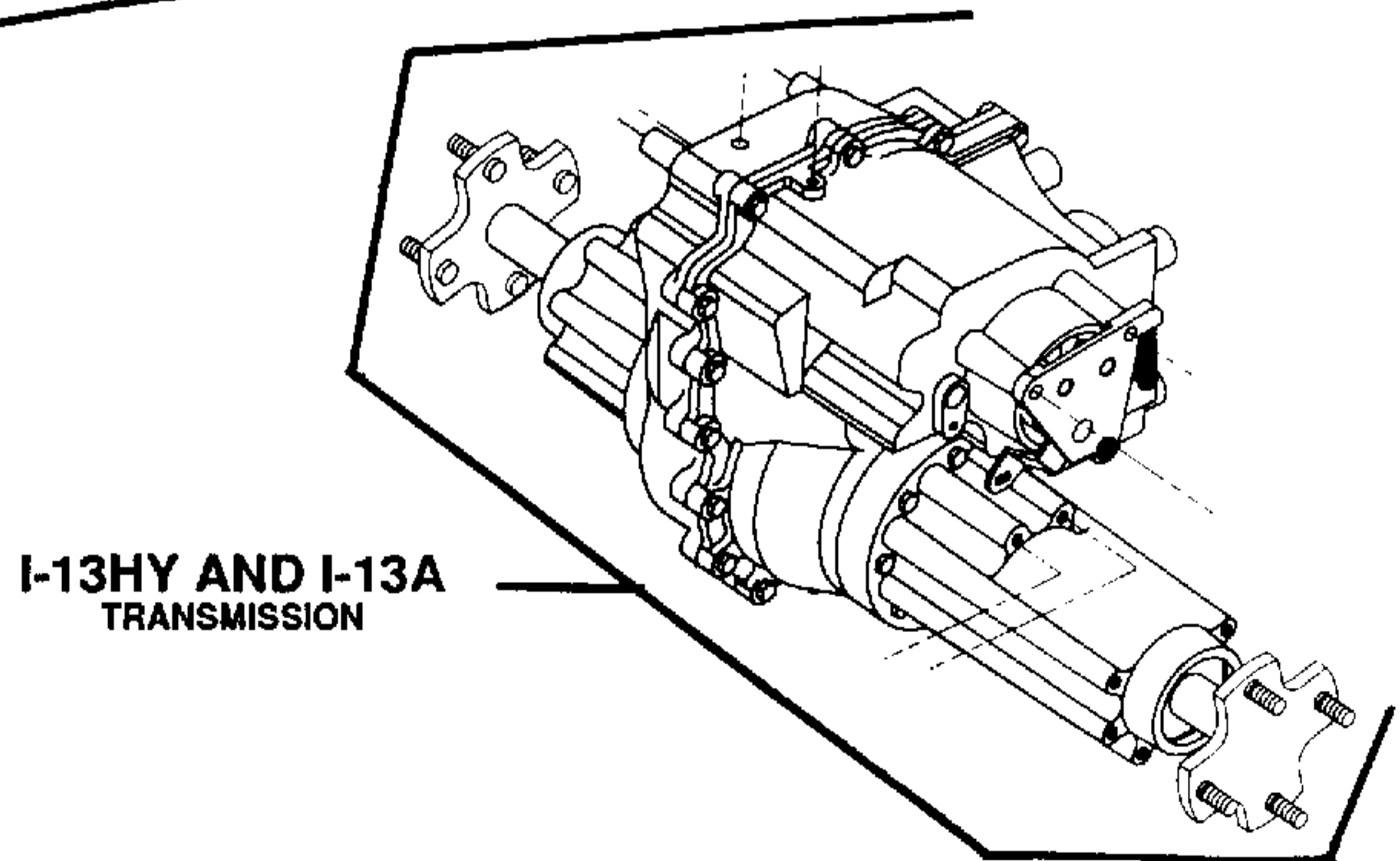
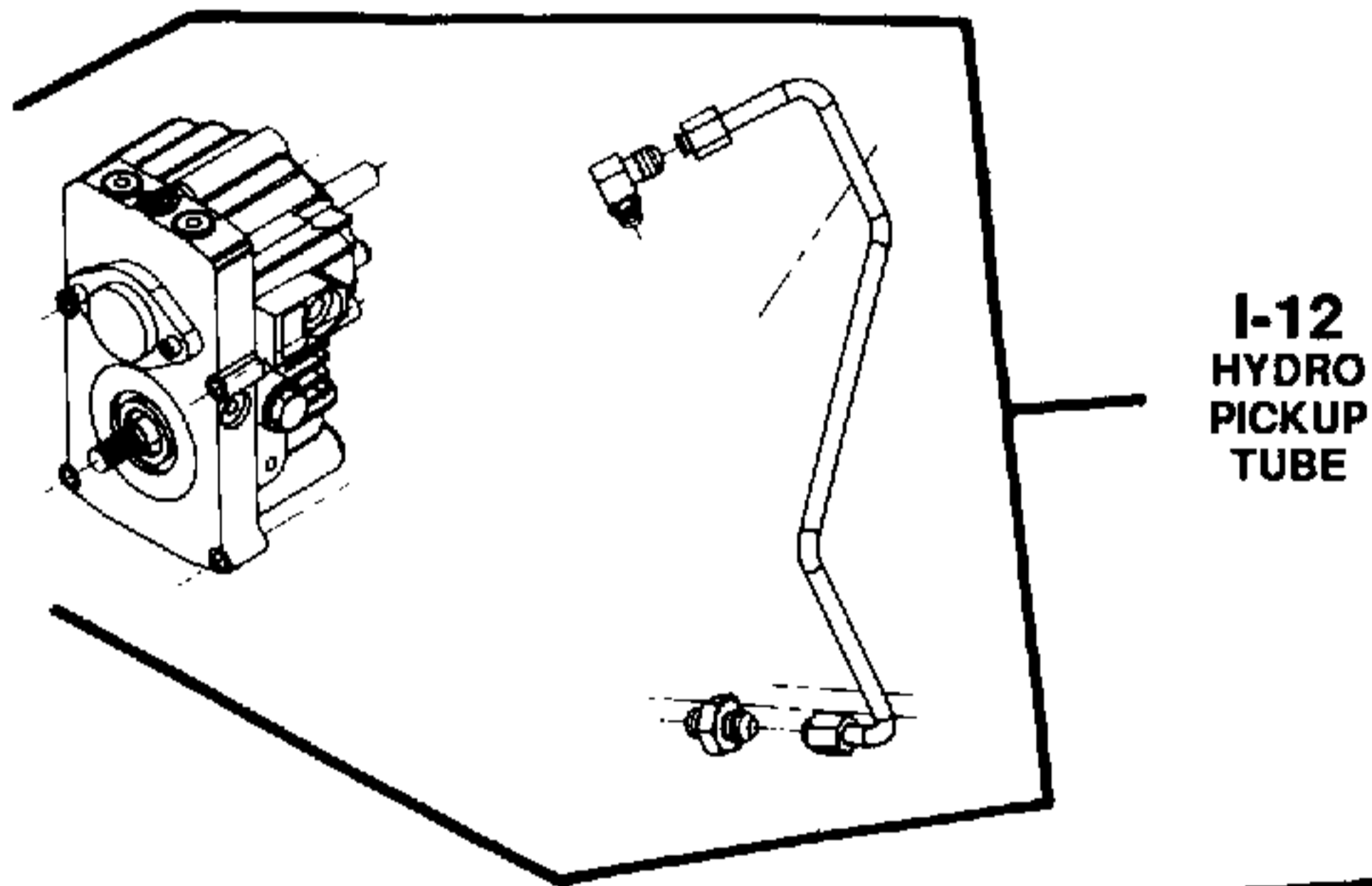
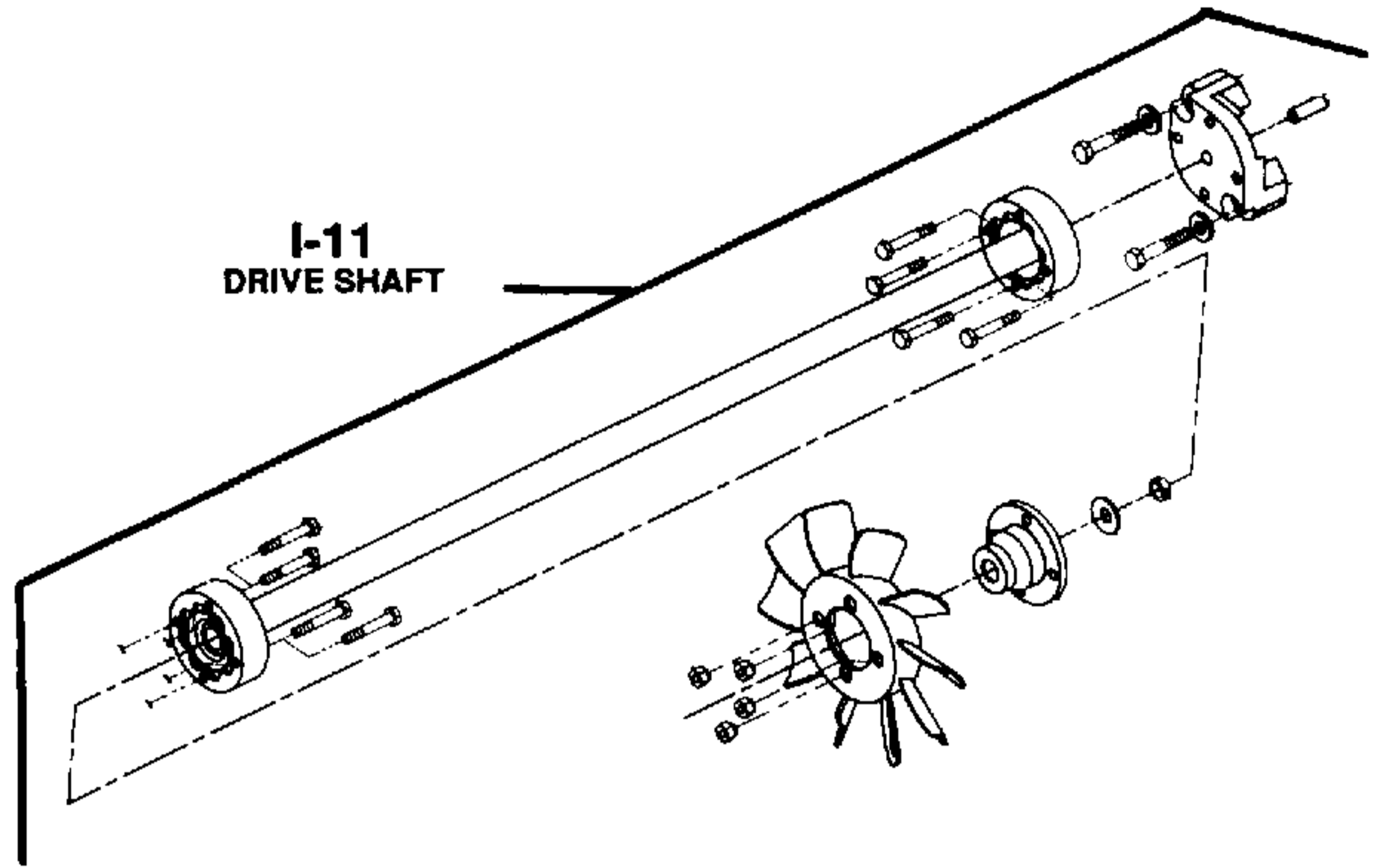


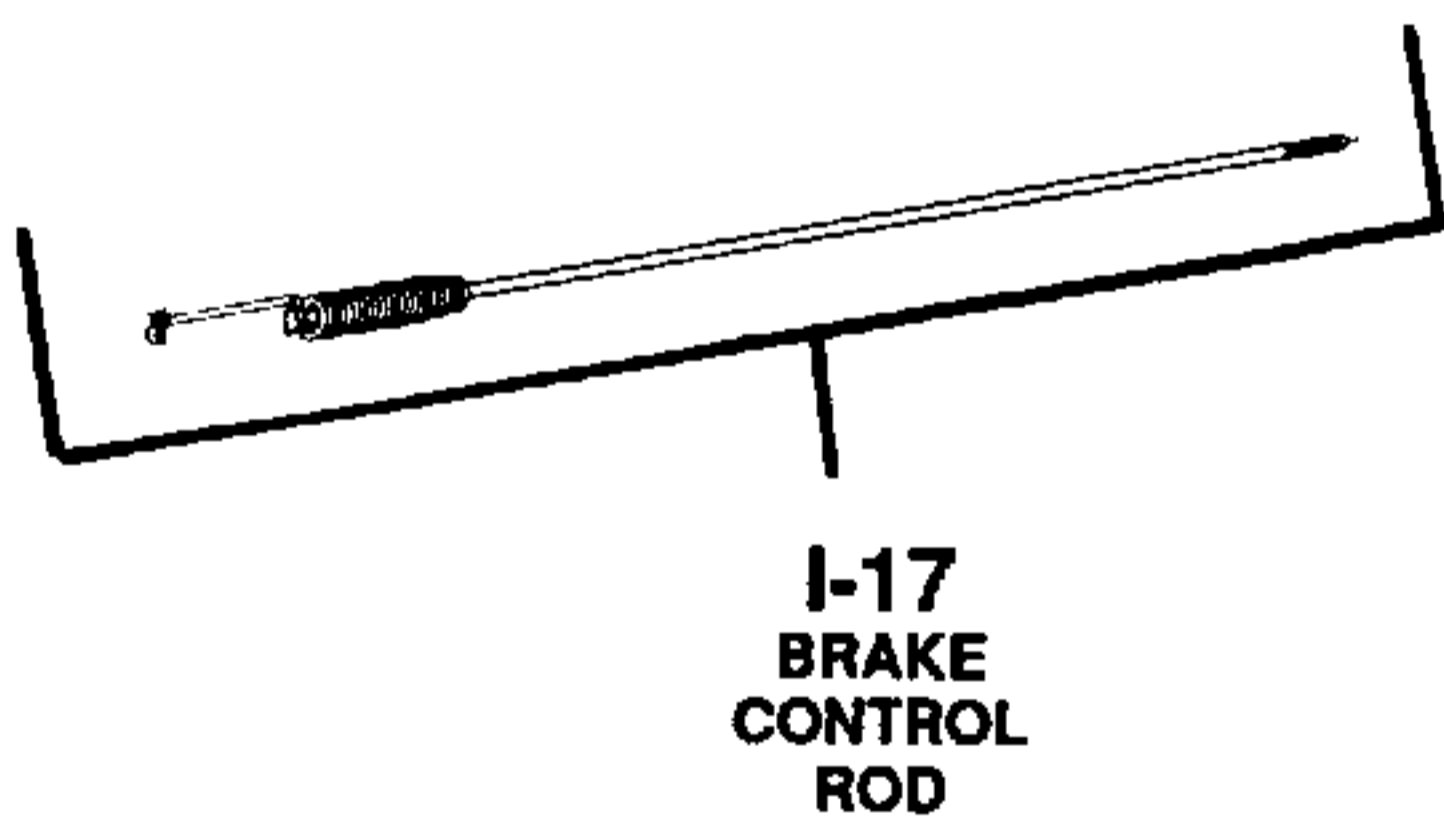
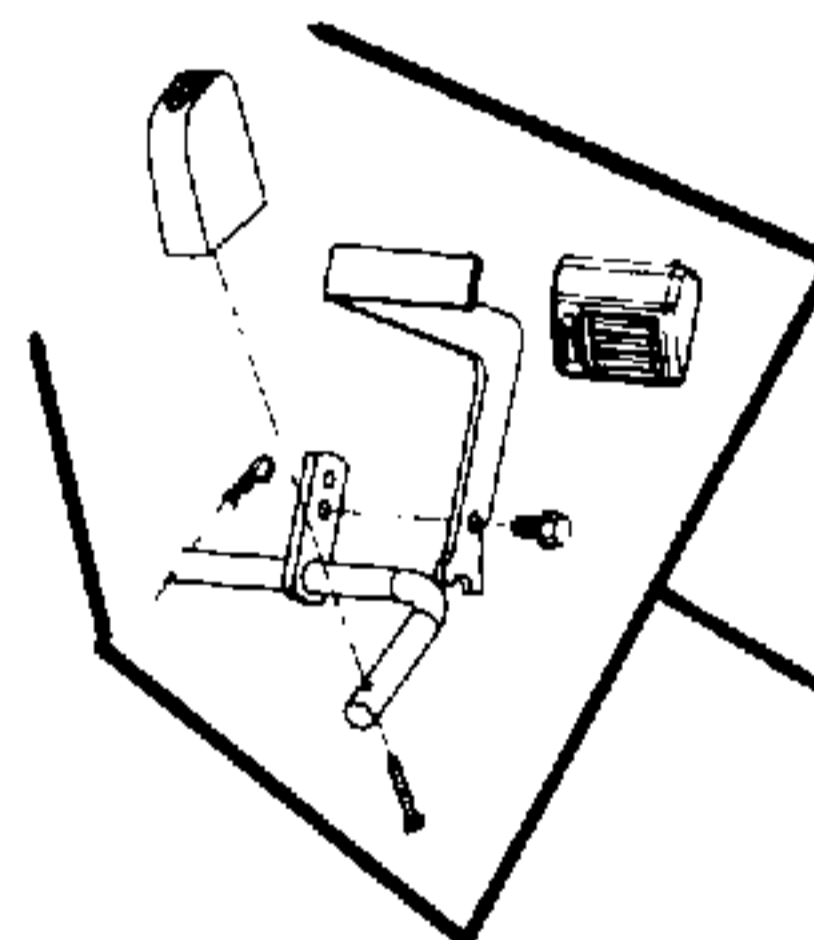
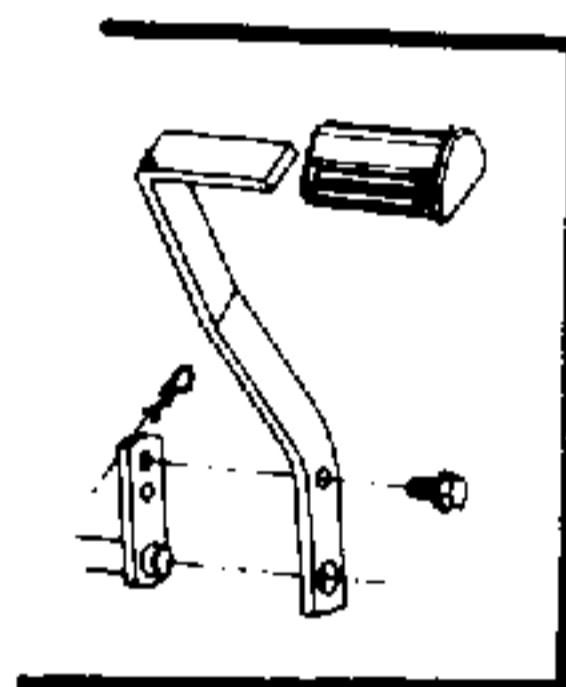
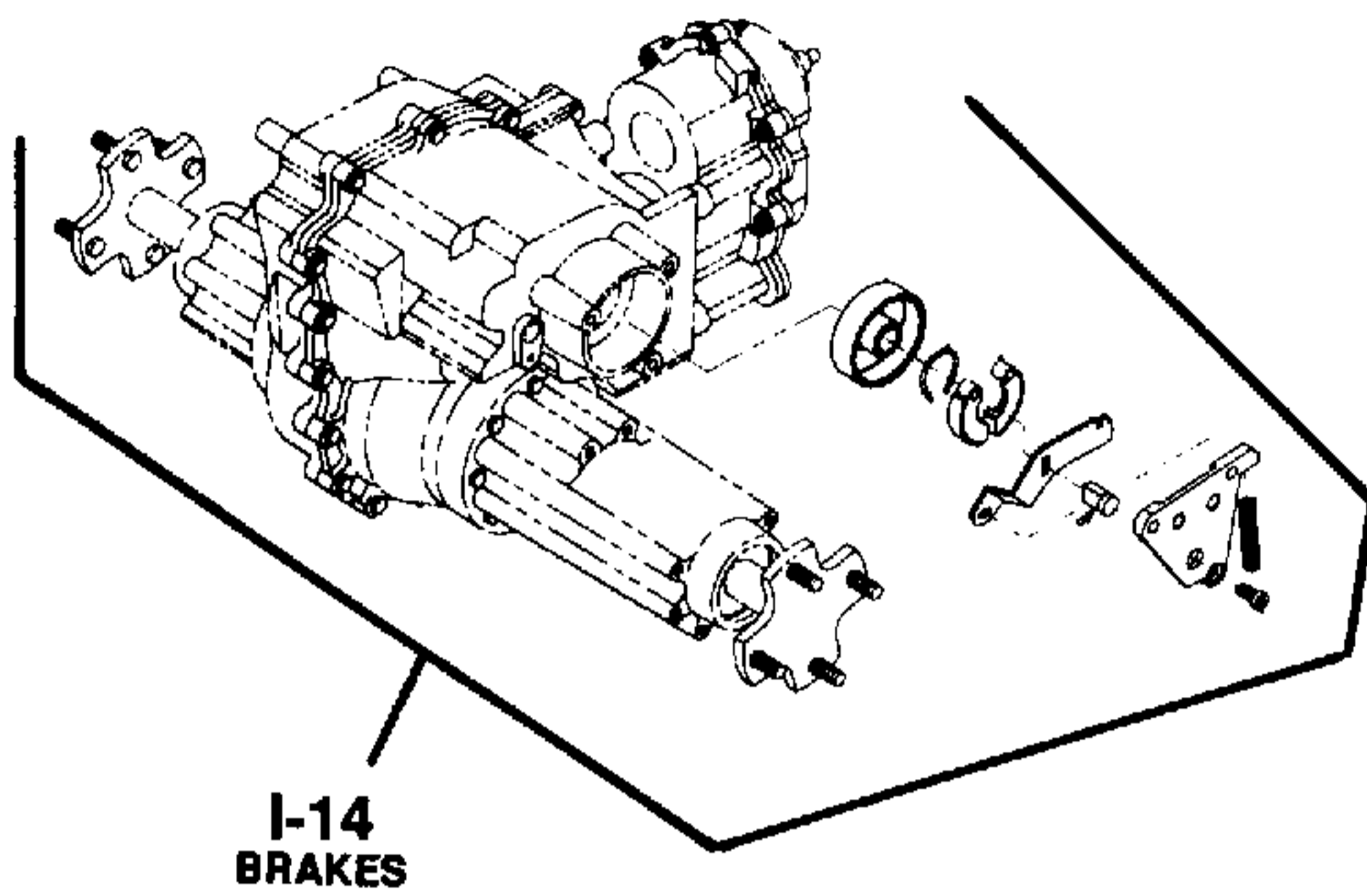
**I-09HY
HYDRO
CONTROL
ROD**



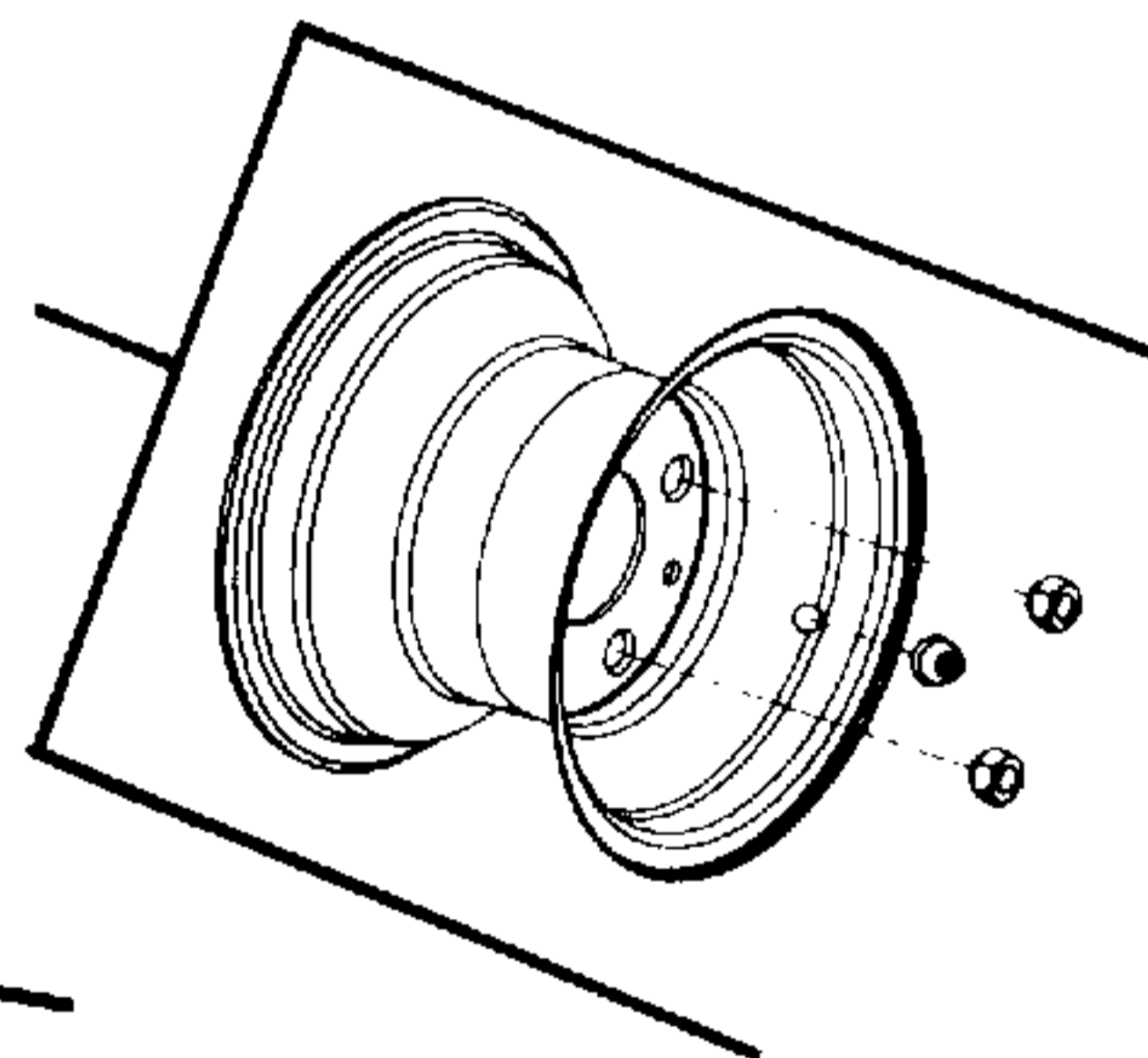
**I-10HY
CRUISE
CONTROL
LEVER**

OPERATION NUMBER	OPERATION DESCRIPTION	OPERATION INCLUDES:	SERVICE MANUAL NUMBER	FLAT RATE TIME
I-14	Brakes: Remove/Install or Replace	<ol style="list-style-type: none"> 1. Remove transmission (I-13HY). 2. Remove/install or replace brake. 3. Reassemble and adjust. 	772-4232	2.0
I-15	Brake Pedal: Remove/Install or Replace	<ol style="list-style-type: none"> 1. Remove/install or replace brake pedal. 2. Reassemble. 	772-4232	0.3
I-16	Forward and Reverse Pedal: Remove/Install or Replace	<ol style="list-style-type: none"> 1. Remove/install or replace forward and reverse pedal. 2. Reassemble. 	772-4232	0.3
I-17	Brake Control Rod: Remove/Install or Replace	<ol style="list-style-type: none"> 1. Remove/install or replace brake control rod. 2. Reassemble and adjust. 	772-4232	0.4
I-18	Axle Shaft, Seal, Bearing or Housing: Remove/Install or Replace (one side)	<ol style="list-style-type: none"> 1. Raise tractor. 2. Remove transmission (I-13HY). 3. Remove/install or replace axle shaft, seal, bearing or housing. 4. Reassemble and adjust. 5. Lower tractor. 	772-4232	2.0
I-19	Wheel Rim: Remove/Install or Replace	<ol style="list-style-type: none"> 1. Raise tractor. 2. Remove wheel and tire assembly (B-08). 3. Remove/install or replace rim. 4. Reassemble. 5. Lower tractor. 	772-4232	0.3

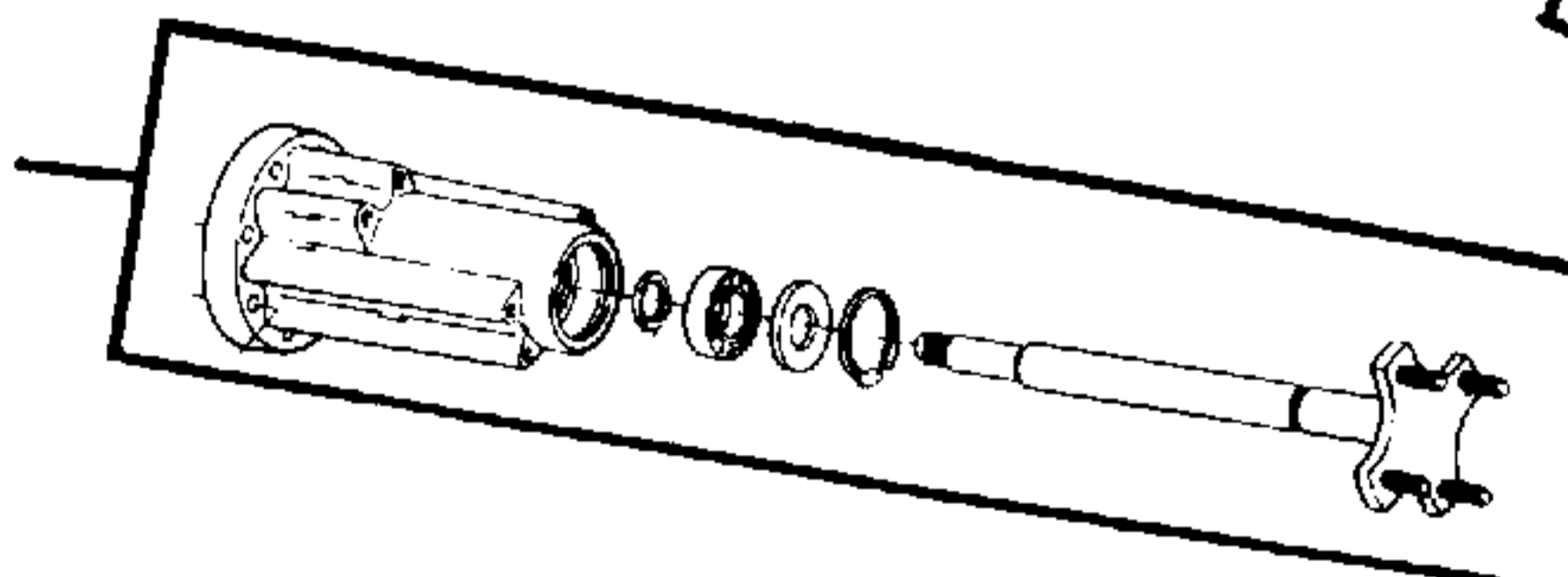


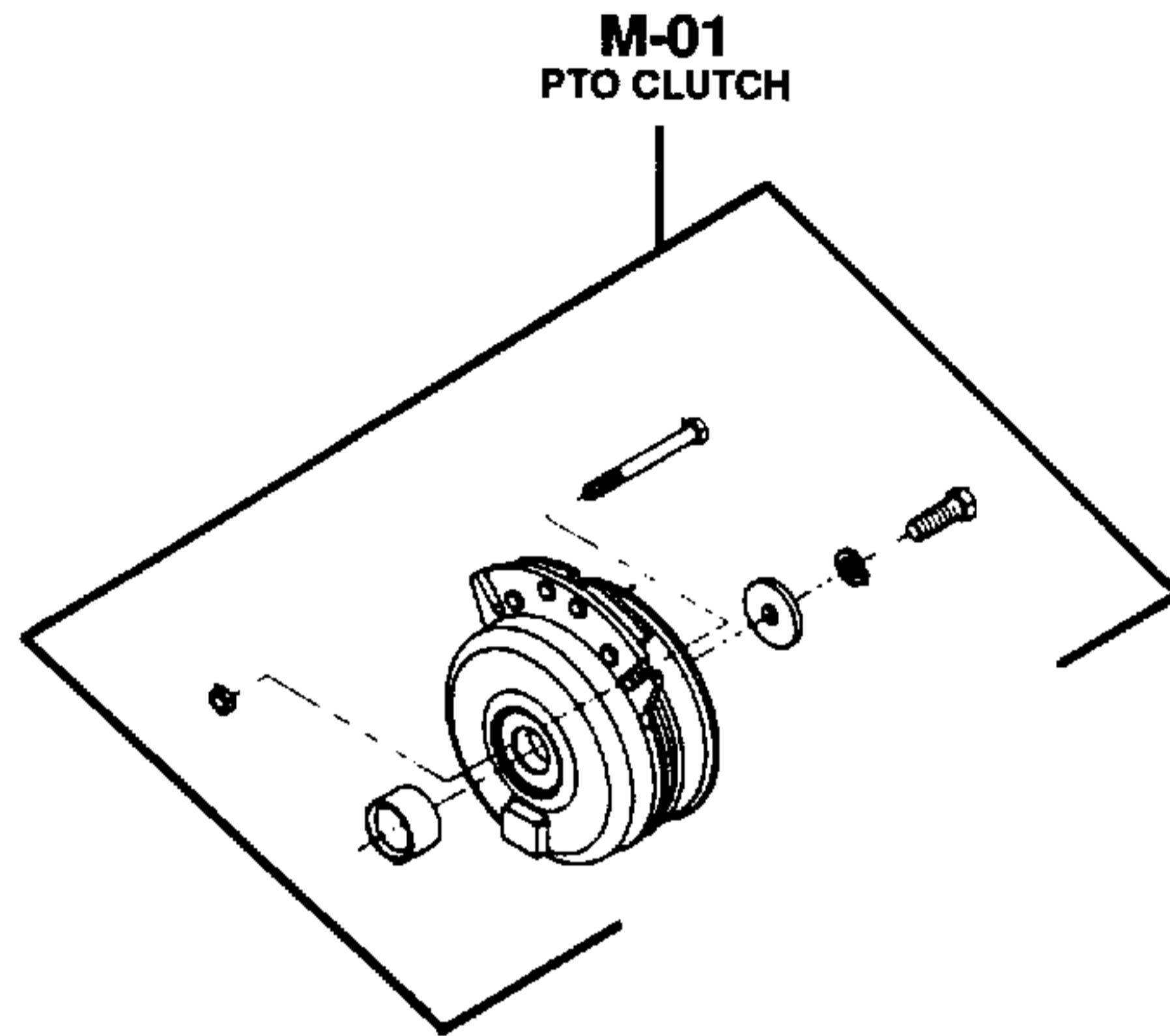


I-19
WHEEL RIM



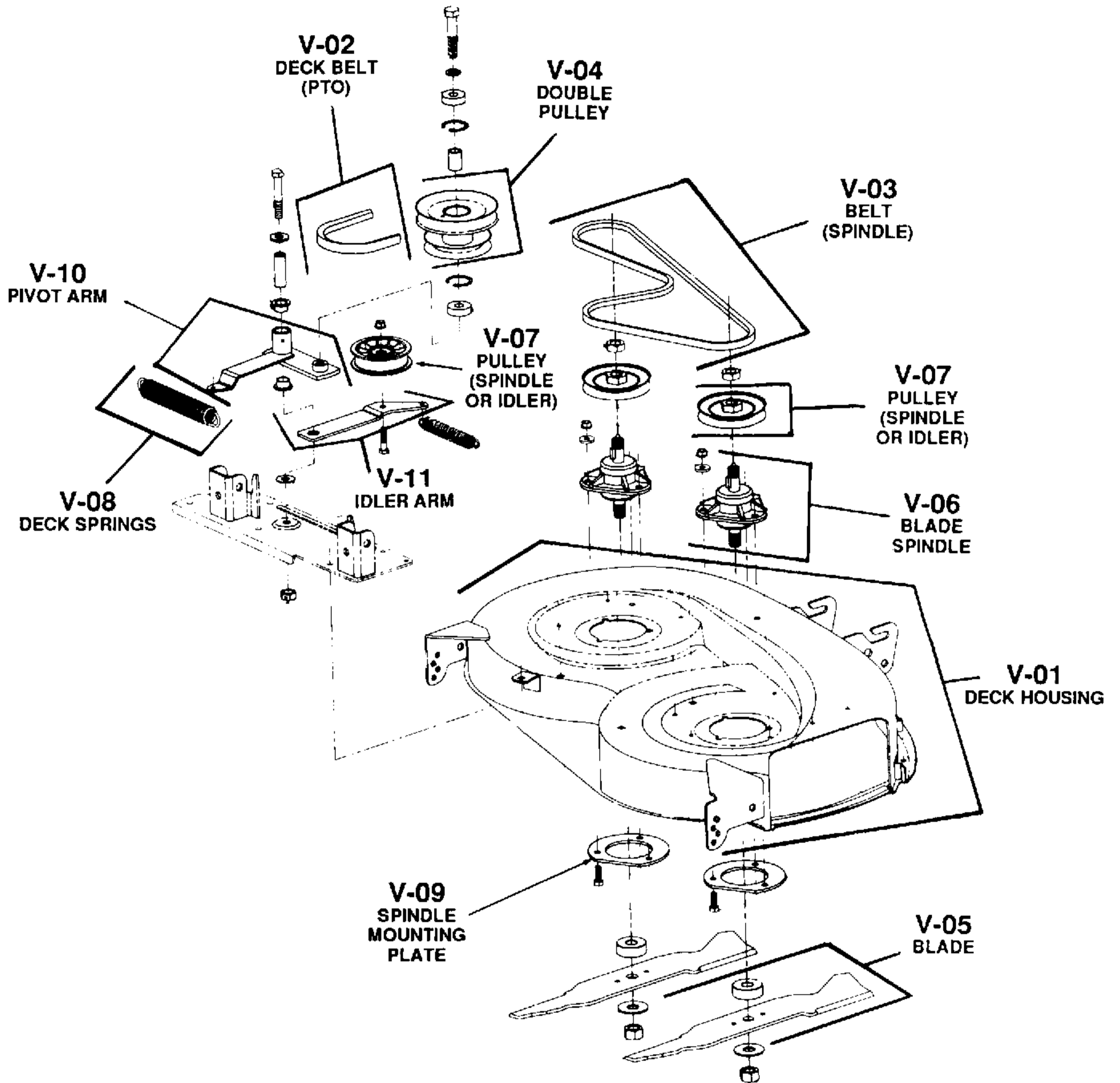
I-18
AXLE SHAFT,
SEAL, BEARING
OR HOUSING



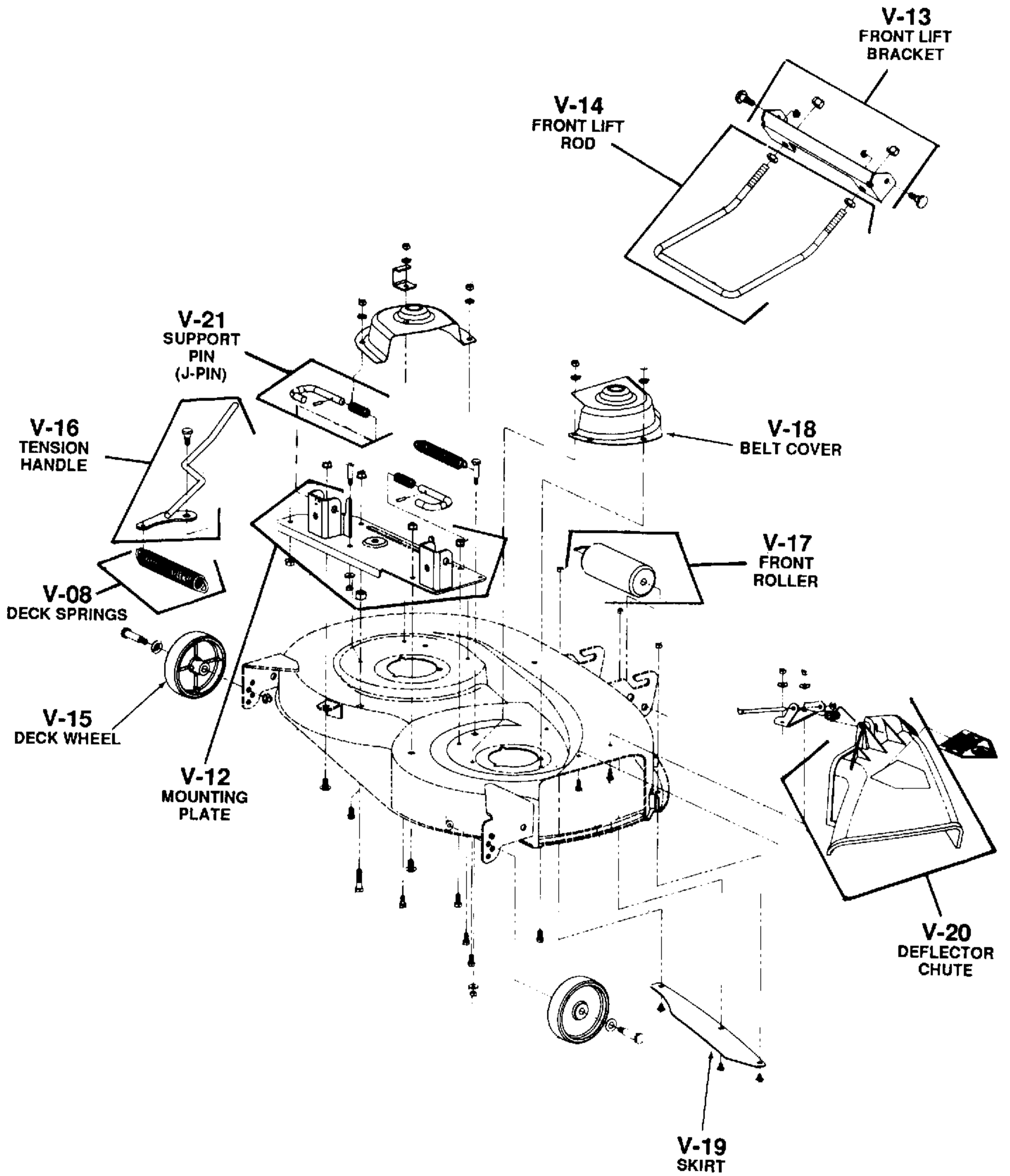


OPERATION NUMBER	OPERATION DESCRIPTION	OPERATION INCLUDES:	SERVICE MANUAL NUMBER	FLAT RATE TIME
M-01	PTO Clutch: Remove/Install or Replace	<ol style="list-style-type: none"> 1. Remove side panels (A-03). 2. Remove hood (A-01). 3. Remove/install or replace PTO clutch. 4. Reassemble. 	772-4232	1.2

OPERATION NUMBER	OPERATION DESCRIPTION	OPERATION INCLUDES:	SERVICE MANUAL NUMBER	FLAT RATE TIME
V-01	Deck Housing: Repair or Replace	<ol style="list-style-type: none"> 1. Disconnect deck from unit (V-22). 2. Remove belt and pulleys. 3. Remove spindles, deck wheels and blades. 4. Remove remaining brackets. 5. Repair/replace housing. 6. Reassemble. 	772-4232	1.5
V-02	Deck Belt (PTO): Remove/Replace	<ol style="list-style-type: none"> 1. Release tension handle (V-16). 2. Remove/replace belt. 3. Reassemble. 	772-4232	0.1
V-03	Belt (Spindle): Remove/Replace	<ol style="list-style-type: none"> 1. Remove deck (V-22). 2. Remove/replace belt. 3. Reassemble. 	772-4232	0.3
V-04	Double Pulley: Remove/Replace	<ol style="list-style-type: none"> 1. Remove deck (V-22). 2. Remove PTO belt (V-02). 3. Remove/replace pulley. 4. Reassemble. 	772-4232	0.5
V-05	Blade: Remove/Replace	<ol style="list-style-type: none"> 1. Remove nut and washer. 2. Remove/replace blade. 3. Reassemble. 	772-4232	0.2
V-06	Blade Spindle: Remove/Replace	<ol style="list-style-type: none"> 1. Remove deck (V-22). 2. Remove belt (V-03). 3. Remove blade (V-05). 4. Remove pulley (V-04). 5. Remove/replace spindle. 6. Reassemble. 	772-4232	0.8
V-07	Pulley (Spindle or Idler): Remove/Replace	<ol style="list-style-type: none"> 1. Remove deck (V-22). 2. Remove/replace pulley. 3. Reassemble. 	772-4232	0.5



OPERATION NUMBER	OPERATION DESCRIPTION	OPERATION INCLUDES:	SERVICE MANUAL NUMBER	FLAT RATE TIME
V-08	Deck Springs: Remove/Replace	1. Remove deck (V-22). 2. Remove/replace springs. 3. Reassemble.	772-4232	0.5
V-09	Spindle Mounting Plate: Remove/Replace	1. Remove spindle (V-06). 2. Remove/replace spindle mounting plate. 3. Reassemble.	772-4232	1.0
V-10	Pivot Arm: Remove/Replace	1. Remove deck (V-22). 2. Remove spring. 3. Remove/replace pivot arm. 4. Reassemble.	772-4232	0.5
V-11	Idler Arm: Remove/Replace	1. Remove deck (V-22). 2. Remove pivot arm (V-10). 3. Remove springs (V-08). 4. Remove/replace idler arm. 5. Reassemble.	772-4232	0.5
V-12	Mounting Plate: Remove/Replace	1. Remove deck (V-22). 2. Remove support pins (V-21). 3. Remove tension handle (V-16). 4. Remove/replace mounting plate. 5. Reassemble.	772-4232	0.7
V-13	Front Lift Bracket: Remove/Replace	1. Remove deck (V-22). 2. Remove lift rod (V-14). 3. Remove front lift bracket. 4. Reassemble.	772-4232	0.5
V-14	Front Lift Rod: Remove/Replace	1. Remove deck (V-22). 2. Repair/replace front lift rod. 3. Reassemble.	772-4232	0.4



OPERATION NUMBER	OPERATION DESCRIPTION	OPERATION INCLUDES:	SERVICE MANUAL NUMBER	FLAT RATE TIME
V-15	Deck Wheel: Remove/Repair/ Install or Replace	Remove/repair/install or replace wheel.	772-4232	0.2
V-16	Tension Handle: Remove/Repair/ or Replace	1. Remove deck (V-22). 2. Remove spring. 3. Repair/replace tension handle. 4. Reassemble.	772-4232	0.4
V-17	Front Roller: Remove/Install	1. Remove pin. 2. Remove roller pin. 3. Remove/install front roller. 4. Reassemble.	772-4232	0.2
V-18	Belt Cover: Remove/Repair/ or Replace	1. Remove deck (V-22). 2. Remove belt cover. 3. Repair/replace belt cover. 4. Reassemble.	772-4232	0.2
V-19	Skirt: Remove/Repair/ Install or Replace	1. Remove deck (V-22). 2. Remove/repair/install or replace skirt. 3. Reassemble.	772-4232	0.2
V-20	Deflector Chute: Remove/Install or Replace	1. Remove hinge pin. 2. Remove/install or replace deflector chute. 3. Reassemble.	772-4232	0.2
V-21	Support Pin (J-Pin): Remove/Repair/ Install or Replace	1. Remove/replace deck. 2. Remove spring pin. 3. Remove/repair/install or replace support pin. 4. Reassemble.	772-4232	0.3
V-22	Complete Deck: Remove/Replace	Remove/replace deck.	772-4232	0.2

INDEX

OPERATION	OPERATION NUMBER	PAGE NUMBER
Adjust, toe-in	B-05	9
Air intake/filtration	D-288	27
Arm:		
Idler	V-11	43
Pivot	V-10	43
Rocker	D-38	17
Axle assembly, front	B-01	9
Axle shaft, seal, bearing or housing	I-18	37
Balance shaft	D-110	21
Ball joints	B-04	9
Battery	F-02	29
Battery cable	F-01	29
Bearing, housing, axle shaft or seal	I-18	37
Bearings, wheel	B-06	11
Belt:		
Cover	V-18	45
Deck (PTO)	V-02	41
Spindle	V-03	41
Blade	V-05	41
Blade spindle	V-06	41
Block, short	D-15	14
Bolt, front axle limiter	B-09	11
Boot, intake	A-16	6
Bracket, front lift	V-13	43
Brake control rod	I-17	37
Brake pedal	I-15	37
Brakes	I-14	37
Breather	D-37A	17
Brush kit	D-51	20
Bulb:		
Indicator	F-10	31
Head lamp	F-04	29
Bulkhead	A-17	6
Bumper	A-26	8
Cable:		
Battery	F-01	29
Choke with nut	A-13	4
Cam:		
Control	I-05	33
Lift handle stop	A-21	8
Camshaft	D-28	16

INDEX (Continued)

OPERATION	OPERATION NUMBER	PAGE NUMBER
Carburetor	D-290	27
Adjustment	D-300	27
Overhaul	D-295	27
Charge pump	I-06	33
Choke cable with nut	A-13	4
Chute, deflector	V-20	45
Closure plate	D-95	21
Clutch assembly	I-01G	33
Overhaul	I-02G	33
Clutch, PTO	M-01	40
Adjust	M-03	40
Overhaul	M-02	40
Connecting rod and piston	D-135	23
Connector and stator (15 amp)	D-205	25
Control cam	I-05	33
Control rod	I-04	33
Control rod, hydro	I-09HY	35
Controls, engine	D-230	27
Cover:		
Belt	V-18	45
Implement lift	A-08	4
Rocker	D-37	17
Shifter	A-09	4
Crankshaft complete	D-130	23
Crankshaft seal, flywheel end	D-31	17
Cruise control lever	I-10HY	35
Cylinder, damper	I-07HY	33
Cylinder head assembly	D-43	18
Cylinder head assembly and/or gasket.....	D-40	18
Damper cylinder	I-07HY	33
Deck (complete)	V-22	45
Belt (PTO)	V-02	41
Housing	V-01	41
Springs	V-08	43
Wheel	V-15	45
Deflector chute	V-20	45
Double pulley	V-04	41
Drain tube	D-95A	21
Draw bar	A-27	8
Drive kit	D-52	20
Drive shaft	I-11	35

INDEX (Continued)

OPERATION	OPERATION NUMBER	PAGE NUMBER
Electrical system	F-00	29
Engine	D-10	14
Controls	D-230	27
Overhaul (major)	D-20	16
Overhaul (minor)	D-25	16
Exhaust gaskets	D-160	23
Fender	A-05	3
Filter, oil	D-88	20
Filter, oil and fluid	I-03HY	33
Flywheel assembly	D-207	25
Foot rest	A-06	3
Forward and reverse pedal	I-16	37
Forward and reverse pedal assembly	I-08	35
Frame, main	A-18	6
Front axle assembly	B-01	9
Front axle limiter bolt	B-09	11
Front lift bracket	V-13	43
Front lift rod	V-14	43
Front roller	V-17	45
Fuel pump	D-200	25
Fuel tank assembly	E-01	28
Fuse holder	F-06	29
Gaskets, exhaust	D-160	23
Gear assembly, steering	C-04	13
Governor cross shaft and/or governor gear assembly	D-120	21
Governor gear assembly and/or governor cross shaft	D-120	21
Grille and housing	A-14	6
Handle, tension	V-16	45
Hangers, lift	A-23	8
Harness, main wire	F-05	29
Head lamp bulbs	F-04	29
Headlight assembly	A-07	4
Hinge, hood	A-02	3
Hood	A-01	3
Hood hinge	A-02	3
Hourmeter	F-09	31
Housing and grille	A-14	6
Housing, axle shaft, seal or bearing	I-18	37
Housing, deck	V-01	41
Hydro control rod	I-09HY	35
Hydro pickup tube	I-12	35

INDEX (Continued)

OPERATION	OPERATION NUMBER	PAGE NUMBER
Hydrostatic pump	I-01HY	33
Hydrostatic transmission	I-02HY	33
Idler:		
Arm	V-11	43
Pulley	A-25	8
Ignition:		
Module	D-203T	25
Switch	F-03	29
Implement lift cover	A-08	4
Indicator bulb	F-10	31
Indicator, voltage	F-08	31
Instrument panel	A-11	4
Instrument panel dash label	A-10	4
Intake boot	A-16	6
Intake grass screen	A-15	6
Interlock switch	F-13	31
Kit:		
Brush	D-51	20
Drive	D-52	20
Knuckle, steering	B-02	9
Label, instrument panel dash	A-10	4
Lever:		
Cruise control	I-10HY	35
Park brake	C-03	13
Lift assist spring	A-22	8
Lift handle stop cam	A-21	8
Lift hangers	A-23	8
Lift shaft assembly	A-19	6
Lifter, valve	D-44	18
Main frame	A-18	6
Main wire harness	F-05	29
Miniblock	D-18	14
Module, ignition	D-203T	25
Mounting plate	V-12	43
Muffler	D-170	23
Oil filter	D-88	20
Oil filter and fluid	I-03HY	33
Oil pickup	D-91	20
Oil pressure switch	D-87	20

INDEX (Continued)

OPERATION	OPERATION NUMBER	PAGE NUMBER
Oil pump assembly	D-90	20
Oil pump relief valve	D-93	21
Oil seal	D-97	21
Panel, instrument	A-11	4
Park brake lever	C-03	13
Pedal assembly, reverse and forward	I-08	35
Pedal:		
Brake	I-15	37
Forward and reverse	I-16	37
Pickup, oil	D-91	20
Pin, support (j-pin)	V-21	45
Piston and connecting rod	D-135	23
Piston and rings	D-137	23
Pivot arm	V-10	43
Plate:		
Closure	D-95	21
Mounting	V-12	43
Spindle mounting	V-09	43
PTO clutch	M-01	40
PTO switch	F-14	31
Pulley:		
Double	V-04	41
Idler	A-25	8
Spindle or idler	V-07	41
Pump assembly, oil	D-90	20
Pump:		
Charge	I-06	33
Fuel	D-200	25
Hydrostatic	I-02HY	33
Quick attach rod	A-24	8
Rectifier-regulator	D-197	25
Relay	F-07	29
Reverse and forward pedal	I-16	37
Reverse and forward pedal assembly	I-08	35
Reverse switch	F-12	31
Rim, wheel	B-07	11
	I-19	37
Rings and piston	D-137	23
Rocker arm	D-38	17

INDEX (Continued)

OPERATION	OPERATION NUMBER	PAGE NUMBER
Rocker cover and/or gasket	D-37	17
Rockshaft lift assembly	A-20	8
Rod:		
Brake control	I-17	37
Control	I-04	33
Control, hydro	I-09HY	35
Front lift	V-14	43
Quick attach	A-24	8
Tie	B-03	9
Roller, front	V-17	45
Screen, intake grass	A-15	6
Seal:		
Bearing, housing or axle shaft	I-18	37
Crankshaft, flywheel end	D-31	17
Oil	D-97	21
Seat	A-04	3
Seat switches	F-11	31
Shaft:		
Axle	I-18	37
Balance	D-110	21
Bearing and steering	C-02	13
Drive	I-11	35
Shifter cover	A-09	4
Short block	D-15	14
Side panel	A-03	3
Skirt	V-19	45
Spark plug	D-195	25
Spindle mounting plate	V-09	43
Spindle, blade	V-06	41
Spring, lift assist	A-22	8
Springs, deck	V-08	43
Starter	D-49	18
Starter assembly	D-48	18
Stator (15 amp) and connector	D-205	25
Steering:		
Gear assembly	C-04	13
Knuckle	B-02	9
Shaft and bearing	C-02	13
Wheel	C-01	13
Support pin (j-pin)	V-21	45

INDEX (Continued)

OPERATION	OPERATION NUMBER	PAGE NUMBER
Switch:		
Ignition	F-03	29
Interlock	F-13	31
Oil pressure	D-87	20
PTO	F-14	31
Reverse	F-12	31
Seat	F-11	31
Tank assembly, fuel	E-01	28
Tension handle	V-16	45
Throttle control	A-12	4
Tie rod	B-03	9
Tire assembly and wheel	B-08	11
Toe-in adjust	B-05	9
Transmission	I-13HY	35
Hydrostatic	I-01HY	33
Overhaul	I-13A	35
Tube:		
Drain	D-95A	21
Hydro pickup	I-12	35
Valve grind complete	D-35	17
Valve lifter	D-44	18
Valve, oil pump relief	D-93	21
Voltage indicator	F-08	31
Wheel:		
and tire assembly	B-08	11
Bearings	B-06	11
Deck	V-15	45
Rim	B-07	11
	I-19	37
Steering	C-01	13