

PROFESSIONAL SERIES (PRO Z 500, 700, 900)

Date: July 31, 2020 Revised April 27, 2022 (Please Destroy All Previous Copies)

PRO Z 500
Models Affected: **PRO Z 500 KW 554-L (53RIHJTN050, 53TIHJTN050).
**PRO Z 500 EFI 554-L (53RWHJTN050).
PRO Z 500 KW 554-S (53RIHJUN050, 53TIHJUN050).
**PRO Z 500 KW 560-L (53LIHJTV050, 53TIHJTV050).
PRO Z 500 KW 560-S (53LIHJUV050, 53TIHJUV050).

PRO Z 700
Models Affected: **PRO Z 700 KW EFI 760-L (53RLHKT050).
**PRO Z 700 KW 760-L (53RIHKTV050, 53TIHKTV050).
PRO Z 700 KW 760-S (53RIHKUV050, 53TIHKUV050).
**PRO Z 700 KW 772-L (53RIHKTY050, 53TIHKTY050).
PRO Z 700 KW 772-S (53RIHKUY050)

PRO Z 900
Models Affected: **PRO Z 900 EFI 960-L (53REHMT050).
**PRO Z 900 KW 960-L (53RIHMT050, 53TIHMT050).
PRO Z 900 EFI 960-S (53REHMUV050).
PRO Z 500 KW 560-S (53RIHMUV050, 53TIHMUV050).
**PRO Z 900 KW 972-L (53RIHMTY050, 53TIHMTY050).
PRO Z 900 KW 972-S (53RIHMUY050, 53FIHMUY050).
PRO Z 900 KW 972-SD Dually (53TIHMUY050).
PRO Z 900 KW 972-SDL Dually (53TILMUY050).

NOTE: All Lap Bar Models with ** are affected by Issue #2.

Issue #1
Serial Number 54" & 60" Models Manufactured March 01, 2016 - May 28, 2020 (1C016Hxxxxx - 1E280Hxxxxx).
Range Affected: 72" Models Manufactured March 01, 2016 - February 29, 2020 (1C016Hxxxxx- 1B290Hxxxxx).

Issue #2
Serial Number 54" & 60" Models Manufactured March 01, 2016 - February 15, 2022 (1C016Hxxxxx - 1B22NHxxxxx).
Range Affected: 72" Models Manufactured March 01, 2016 - February 15, 2022 (1C016Hxxxxx- 1B22NHxxxxx).

Subject: **Belt Guide Deck Stabilizer Bracket Kit 759-05902A**

FIX-AS-FAIL

NOTE: These materials are prepared for use by trained technicians who are experienced in the service and repair of equipment of the kind described in this publication, and are not intended for use by untrained or inexperienced individuals. Such individuals should seek the assistance of an authorized service technician or dealer.

NOTE: Always wear eye protection while servicing equipment. Wear hearing protection when appropriate. Always work in a well ventilated area and follow all safety precautions when dealing with combustible materials.

NOTE: Left (LH) and Right (RH) sides are determined from the operator's position and facing in the forward direction.

PURPOSE: This Revised Service Kit 759-05902A covers two issues.

Issue #1: Was on older units where the deck stabilizer bracket was failing under normal conditions on the 54", 60" and 72" mower decks on the above listed Models. **NOTE: This issue was addressed with the 759-05902 Service Kit released May 28, 2020.**

****Issue #2:** Is from recent reports of the dampers of the lap bars interfering with the previous style Deck Stabilizer Bracket (703-24927A) and the idler spring anchor bolt with spacer on the back side of the deck that was previously included in the 753-05902 Service Kit. We have revised the Service Kit 759-05902A with a new deck stabilizer bracket and a shorter shoulder bolt to address both issues.

NOTE: If a Lap Bar Model that previously had the Service Kit 759-05902 installed, its recommended to install the new Deck Stabilizer Bracket and shorter shoulder bolt contained in the 759-05902A Service Kit. The existing hardware or the new hardware contained in the Service Kit may be used for the installation.

ATTENTION!

Please read and follow the instructions on the Supplement Sheet 769-26508 packaged with the contents of the current 759-05902A Belt Guide Deck Stabilizer Bracket Service Kit for a Temporary Part Change.

Service Kit contents are listed at the top of Page 2.

759-05902A Service Kit Contents

ITEM NO.	PART NUMBER	QTY	DESCRIPTION
1	703-27884A**	1	BRKT:DECK STAB:BELT GUIDE
2	703-23064**	1	MT:BRKT:REAR ROLLER RH
3	710-3261	2	HEX SCREW
4	710-0932A	2	BOLT:CARRIAGE:1/4-20X1.0"
5	710-0859	1	SCREW:HEX:3/8-16X2.5
6*	710-3168	1	BOLT:CARRIAGE:3/8-16X1.0LG GR5
7	712-3008	2	NUT:HEX JAM:3/8-16
8	712-04064	2	NUT:FLANGE LK NYLON:1/4-20 GRF
9	712-04065	3	NUT: FLANGE LK NYLON:3/8-16 GRF
10	712-04217	1	NUT:FLANGE LK:3/8-16 TOPLK
11	736-3052	1	WASHER:FLAT:0.401X1.011X0.120
12	736-3039	1	WASHER:FLAT:0.401X1.510X0.113
13	736-0300	1	WASHER:FLAT:0.396X0.885X0.060
14	738-0145	1	SCREW:SHLDR:0.500X0.820X3/8-16
15	750-05673	1	SPACER

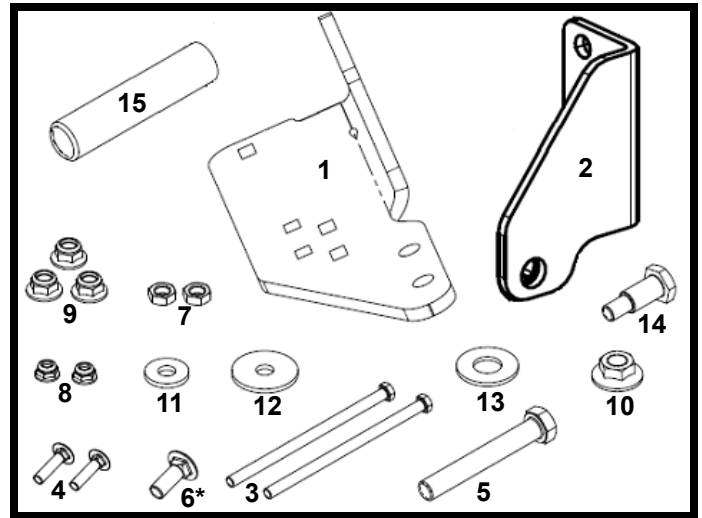


FIGURE 1

* Used On 54" & 60" Decks Only

** Use Paint Code -4021

Instruction sheet included with kit.

ACTION REQUIRED:

1. If your customer has one of the models listed on Page 1 that had a failure of the deck stabilizer bracket (**Issue #1**), order from your parts source, quantity one (1) of a **759-05902A** Belt Guide Deck Stabilizer Bracket Kit.
2. If your customer has a Lap Bar Model (**) listed on Page 1 and had the **759-05902** Service Kit installed previously and now is experiencing (**Issue #2**), the dampers of the lap bars interfering with the previous style Deck Stabilizer Bracket (**703-24927A**). Order from your parts source, quantity one (1) of a **759-05902A** Belt Guide Deck Stabilizer Bracket Kit.
3. Install the Belt Guide Deck Stabilizer Bracket Kit per the installation instructions.
4. Submit a warranty claim for parts and labor (one rider per claim).

Warranty: **FIX-AS-FAIL** (Normal warranty terms apply). Indicate Service Advisory **CC-1074A** and **703-24927** as the original failed part on the claim. Repair time allowance is **0.8** Hrs.

Mandatory>>>When completing the warranty claim, select the drop down text shown below for the following claim fields:

GROUP CODE: New Service Parts

FAIL CODE: Sheared

WORK PERFORMED: (Type-In) Install 759-05902A

SERVICE MANAGER	PARTS MANAGER	SALES MANAGER	SERVICE TECH.	SERVICE TECH.

Circulate and Initial