

CODE: CC - 295

DATE: JANUARY 24, 1995

SUBJECT: SERIES 2000 TRACTORS (MODEL 2135, 2145, 2165, 2185)  
HYDROSTATIC PUMP REPLACEMENT (SERIAL #279400 AND BELOW)

PROBLEM: WHEN REPLACING HYDROSTATIC PUMPS ON THOSE TRACTORS LISTED ABOVE THE FOLLOWING SHOULD BE DONE. THE HYDROSTATIC PUMP FOR TRACTORS S/N 279400 AND BELOW USED AN EXTERNAL FLUID RETURN LINE (P/N 727-3089) SHOWN IN FIGURE 1 BELOW. HYDROSTATIC PUMPS USED ON TRACTORS BUILT ABOVE THIS SERIAL NUMBER USE AN INTERNAL CASE DRAIN, THEREFORE ELIMINATING THE EXTERNAL FLUID RETURN LINE.

SOLUTION: IN A CASE WHERE THE ORIGINAL PUMP (P/N 618-3095) WOULD NEED TO BE REPLACED, SERVICE KIT P/N 759-3778 IS AVAILABLE. THIS KIT INCLUDES QUANTITY ONE EACH OF THE FOLLOWING: P/N 618-3111 PUMP, P/N 737-3058 PLUG, P/N 721-3021 O-RING. AFTER INSTALLATION OF THE HYDROSTATIC PUMP (P/N 618-3111), THE PLUG (P/N 737-3058) AND O-RING (P/N 721-3021) NEEDS TO BE INSTALLED INTO THE RIGHT HAND DIFFERENTIAL HOUSING (P/N 619-3028) PLUGGING THE EXISTING HOLE. USE THE EXISTING RETAINER CLAMP AND BOLT TO RETAIN PLUG INTO HOUSING.

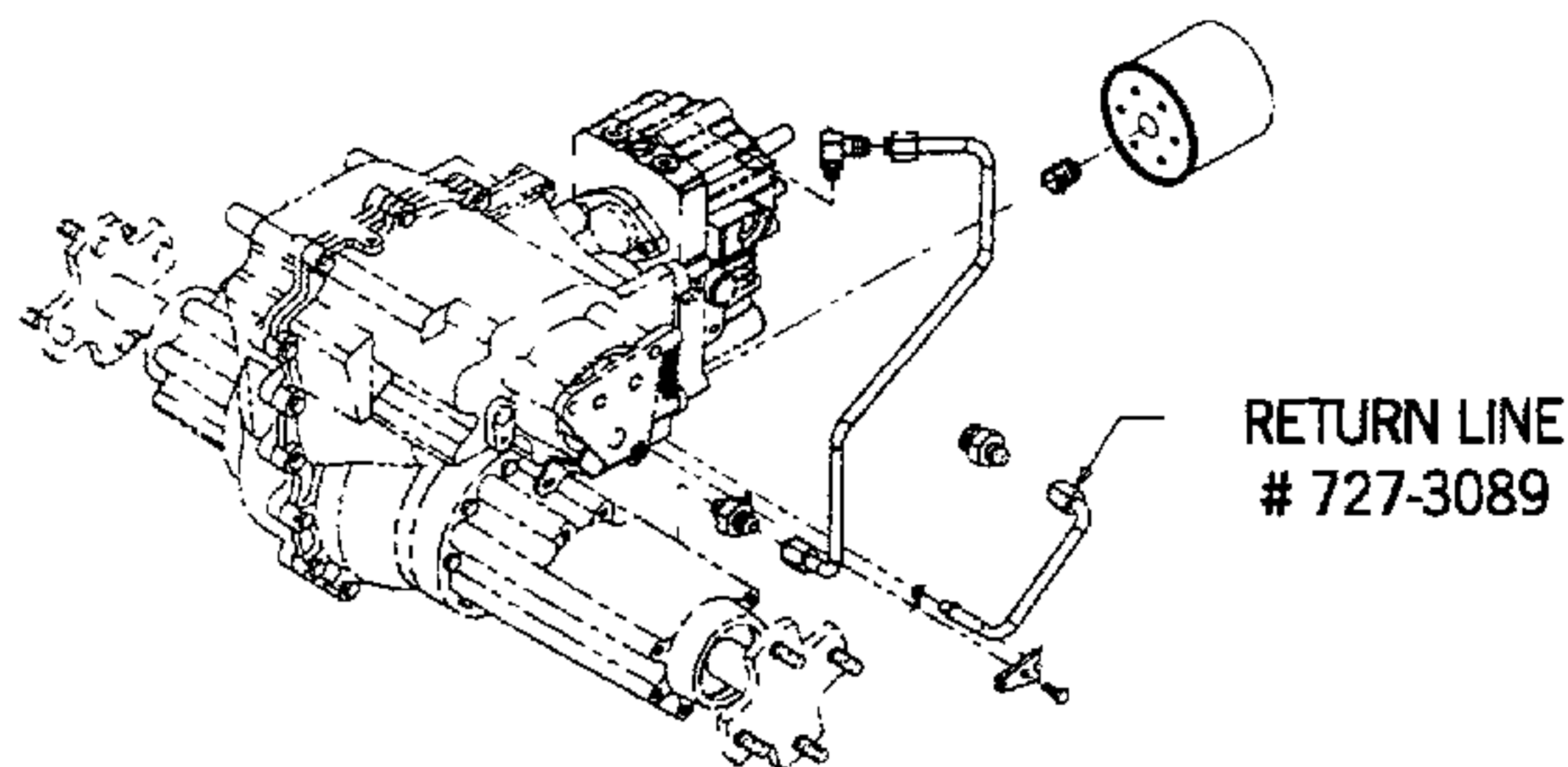


FIGURE 1

Circulate and initial

Service Mgr	Parts Mgr.	Service Tech.	Service Tech.	
-------------	------------	---------------	---------------	--