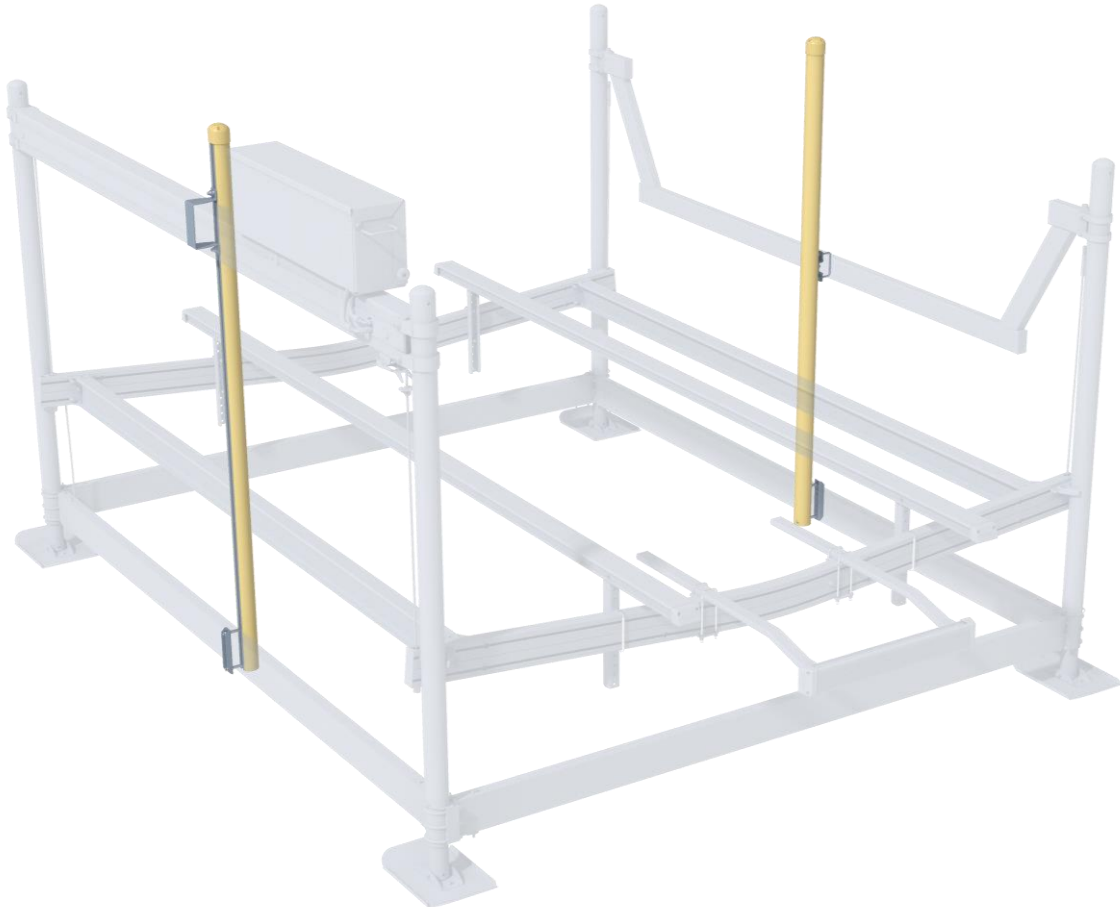


Interior GlidePoles HA0235



Application

HA0235 fits 4K-7K Hydraulic lifts. The Interior GlidePole Load Guides are designed to provide additional boat protection when entering the lift. They are mounted between the corner posts of the lift and may be adjusted to the best location for maximum boat protection. Interior GlidePoles can be used in conjunction with several other styles of GlidePole Load Guides that are mounted on the ends of the lift to create total front-to-back guide-on assistance that centers the boat and prevents damage.

Tools

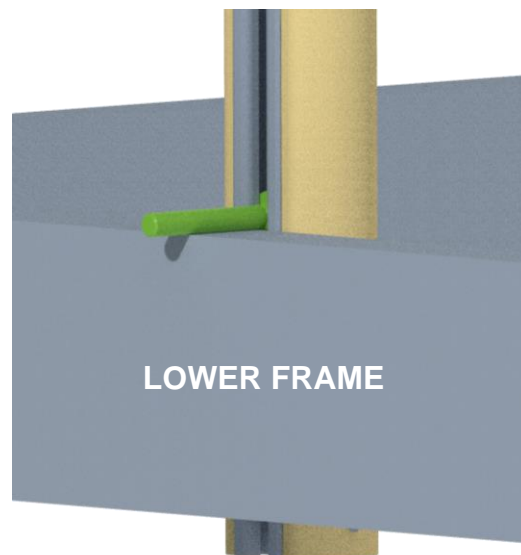
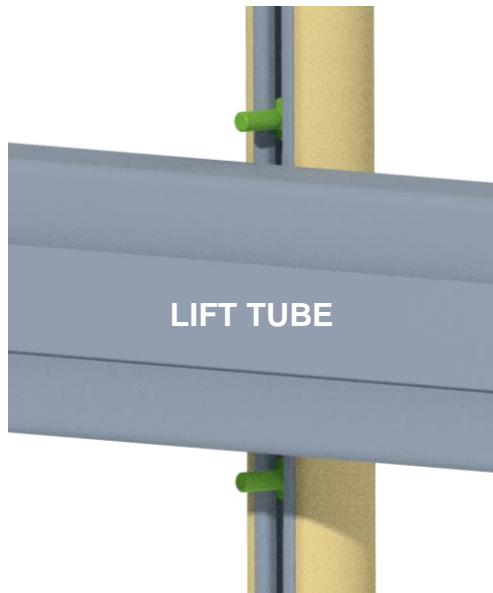
$\frac{3}{4}$ Socket, $\frac{3}{4}$ wrench, $\frac{9}{16}$ socket, $\frac{9}{16}$ wrench

Organize Parts

Open the hardware box and bag, and sort the hardware and other contents by size.

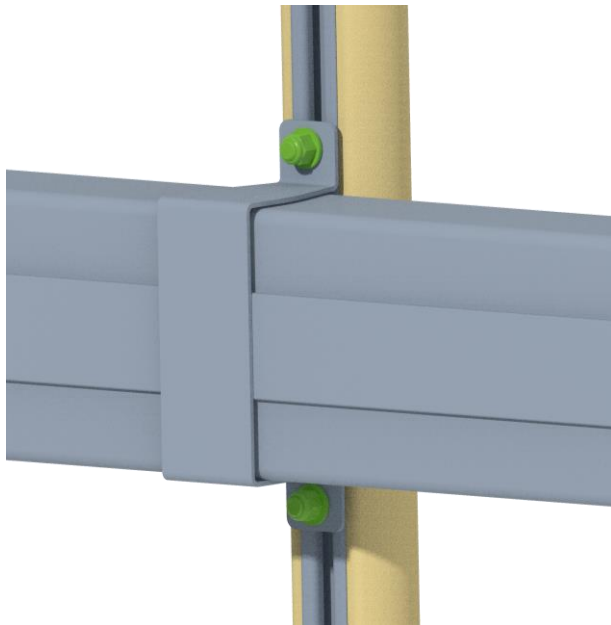
1 – Bolts into GlidePole

Slide two ½-13 x 1-1/2 bolts first and one ½-13 x 3-1/2 bolt into the T-slot of a GlidePole. Put the GlidePole up against the lift tube. Make sure the top bolt is above the lift tube and the longer bolt is above the lower frame.



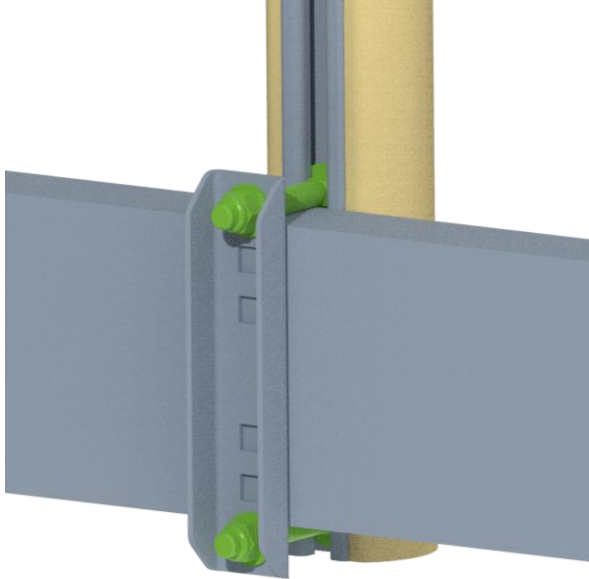
2 – Lift Tube Bracket

Put the bracket around the lift tube, the washers on the bolts, and hand tighten the lock nuts as shown.



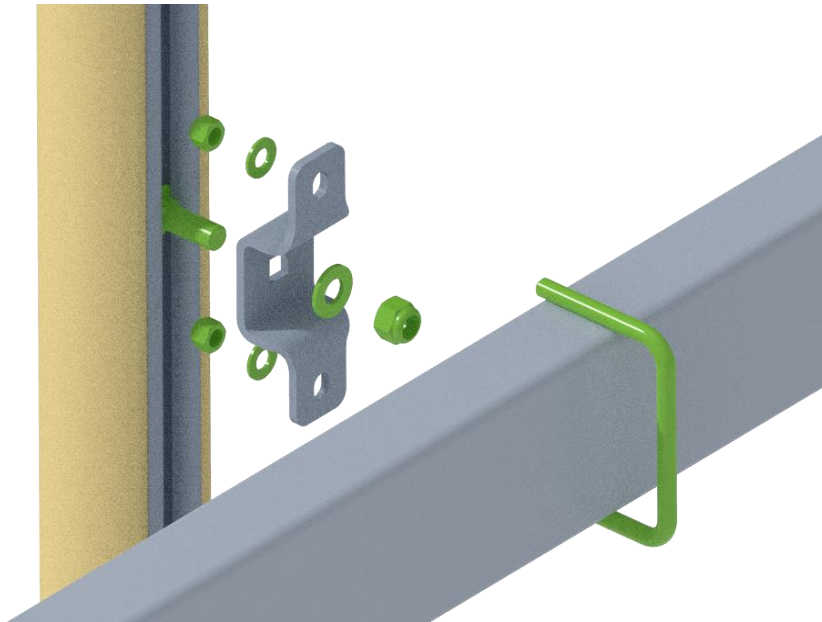
3 – Lower Frame Brace

Slide a ½-13 x 3-1/2 bolt into the bottom of the GlidePole under the lower frame and put the bolts through the correct holes in the brace. Then, add the washers and lock nuts. Adjust the GlidePole and make sure the GlidePole is straight vertical and tighten the lock nuts for the lower frame brace and lift tube bracket.



4 – Drop Side Brace

Slide the ½-13 x 1-1/2 carriage bolt into the GlidePole and put it through the square hole in the spacer. Add the washer and locknut, but do not tighten. Next, put the U-bolt around the drop side tube, and find the height needed for the spacer to fit the U-bolt. Tighten the locknut. Then, add the washers and locknuts to the U-bolt, and tighten them.



5 – Lower Frame Brace

Slide two ½-13 x 3-1/2 bolts into the bottom of the GlidePole, one above the lower frame and one under the lower frame, and put the bolts through the correct holes in the brace. Then, add the washers and lock nuts. Make sure the GlidePole is straight vertical and tighten the lock nuts for the lower frame brace and the drop side tube (or 4x4 brace tube).

